

SPECIFICATIONS

1. Molded polyethylene body.
2. PP blend neck gasket.
3. Powder coated steel ring.
4. Unit weight: 13 lbs.

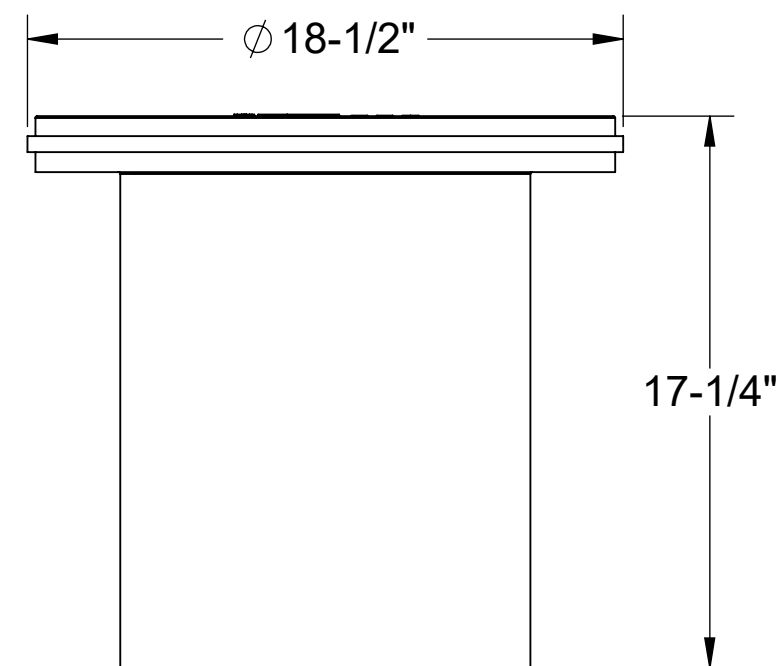
ENGINEER SPECIFICATION GUIDE

TeleGlide field adjustable riser system to consist of rotationally molded polyethylene body, PP blend neck gasket, and powder coated steel ring. Risers shall allow onsite adjustability of cover to grade.

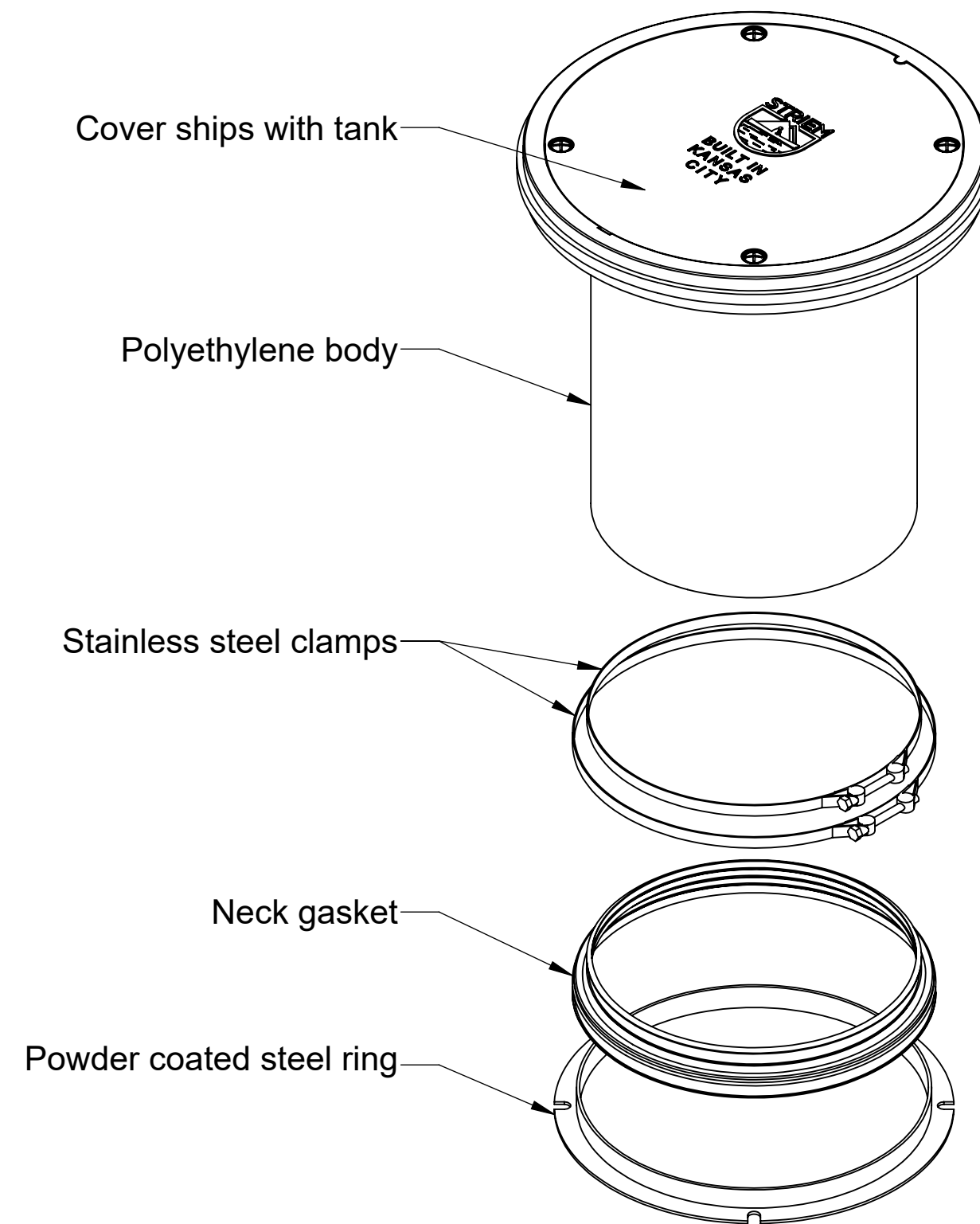
INSTALLATION NOTE

Minimum install height: 4"
Maximum install height: 16"

Do not stack risers. Maximum of one riser per base unit. Access to internal components will be compromised. If deeper burial required, install larger unit with 24" cover.



FRONT VIEW



EXPLODED VIEW

MODEL NUMBER: SR-16		SPECIFICATION SHEET	
DESCRIPTION: TELEGLIDE™ RISER SYSTEM			
DWG BY: ENG		DATE: 5/10/2023	
REV: 1		<p>Striem Kansas City, KS Tel: 913-222-1500 orders@striemco.com www.striemco.com</p> <p>Made in the U.S.A</p> 