

SPECIFICATIONS

- 1. Molded polyethylene body.
- 2. EPDM neck gasket.
- 3. Powder coated steel ring.
- 4. Unit weight: 13 lbs.

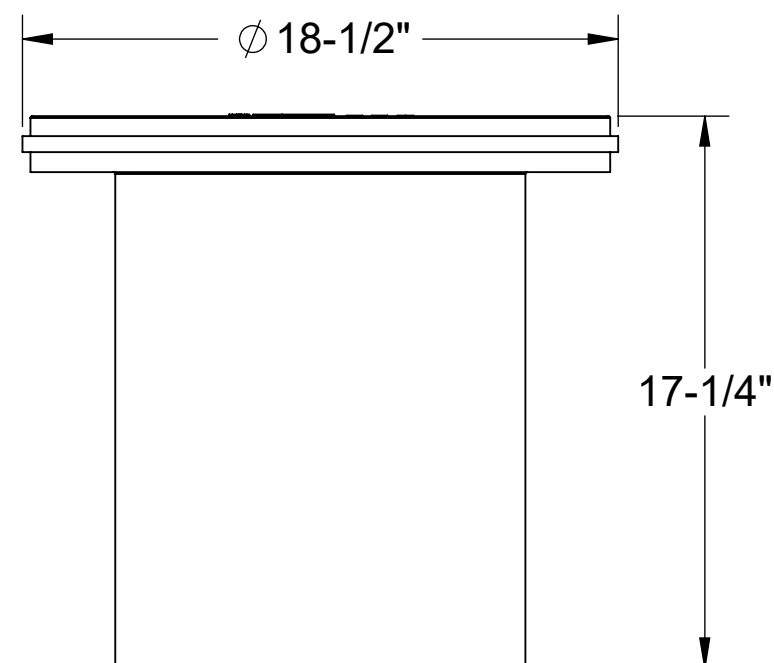
ENGINEER SPECIFICATION GUIDE

TeleGlide field adjustable riser system to consist of rotationally molded polyethylene body, EPDM neck gasket, and powder coated steel ring. Risers shall allow onsite adjustability of cover to grade.

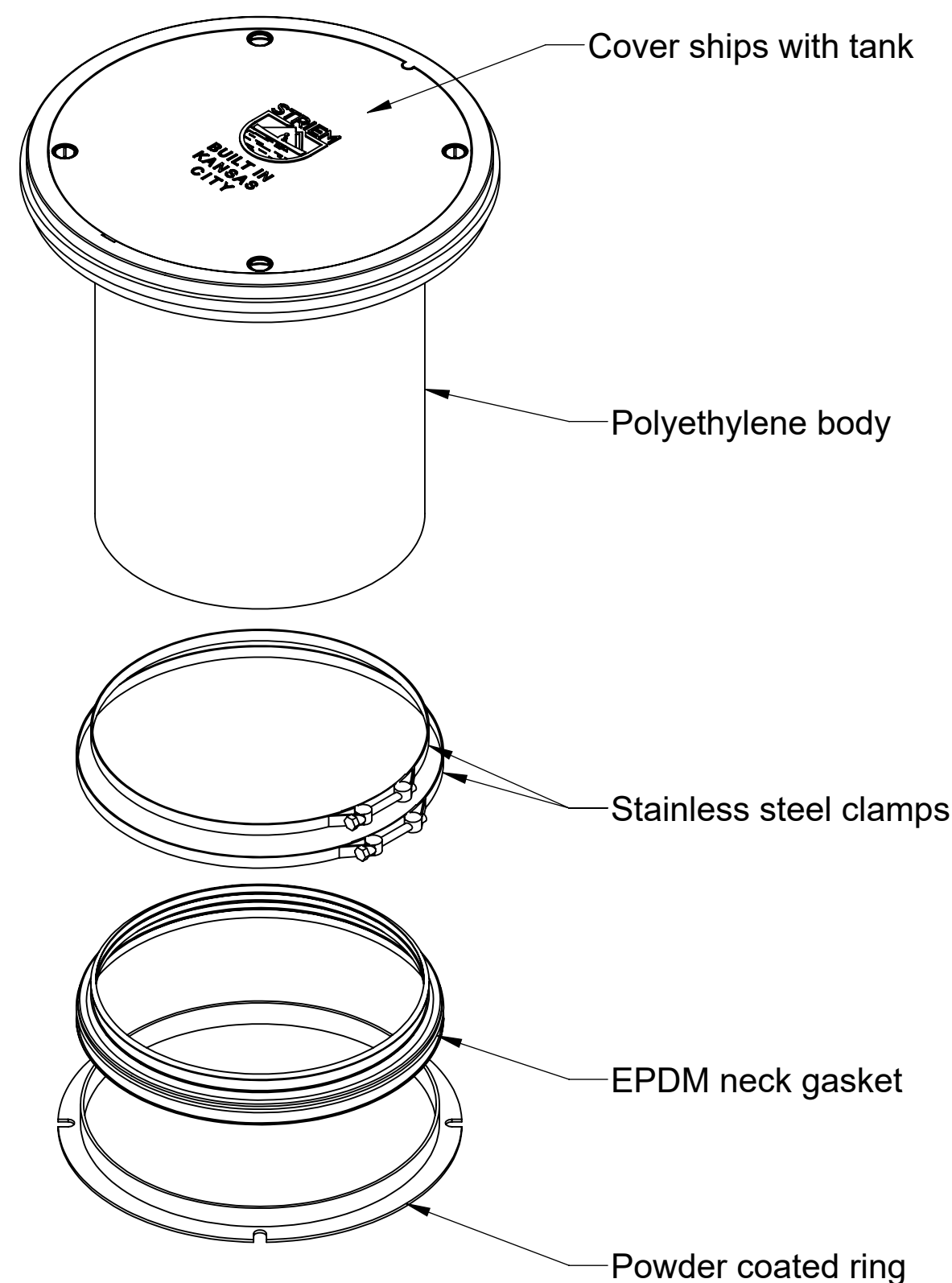
INSTALLATION NOTE

Minimum install height: 4"
Maximum install height: 16"

Do not stack risers. Maximum of one riser per base unit.
Access to internal components will be compromised. If deeper burial required, install larger unit with 24" cover.



FRONT VIEW



EXPLODED VIEW

MODEL NUMBER: SR-16	
DESCRIPTION: TELEGLIDE™ RISER SYSTEM	
DWG BY: WLF	DATE: 4/6/22
REV: 1	ECO:

SPECIFICATION SHEET

Striem
 3100 Brinkerhoff
 Kansas City, KS 66115
 Tel: 913-222-1500
 orders@striemco.com
 www.striemco.com



Made in the U.S.A

PROPRIETARY AND CONFIDENTIAL

THE INFORMATION CONTAINED IN THIS DRAWING IS THE SOLE PROPERTY OF STRIEM, LLC. ANY REPRODUCTION IN PART OR AS A WHOLE WITHOUT THE WRITTEN PERMISSION OF STRIEM, LLC. IS PROHIBITED.