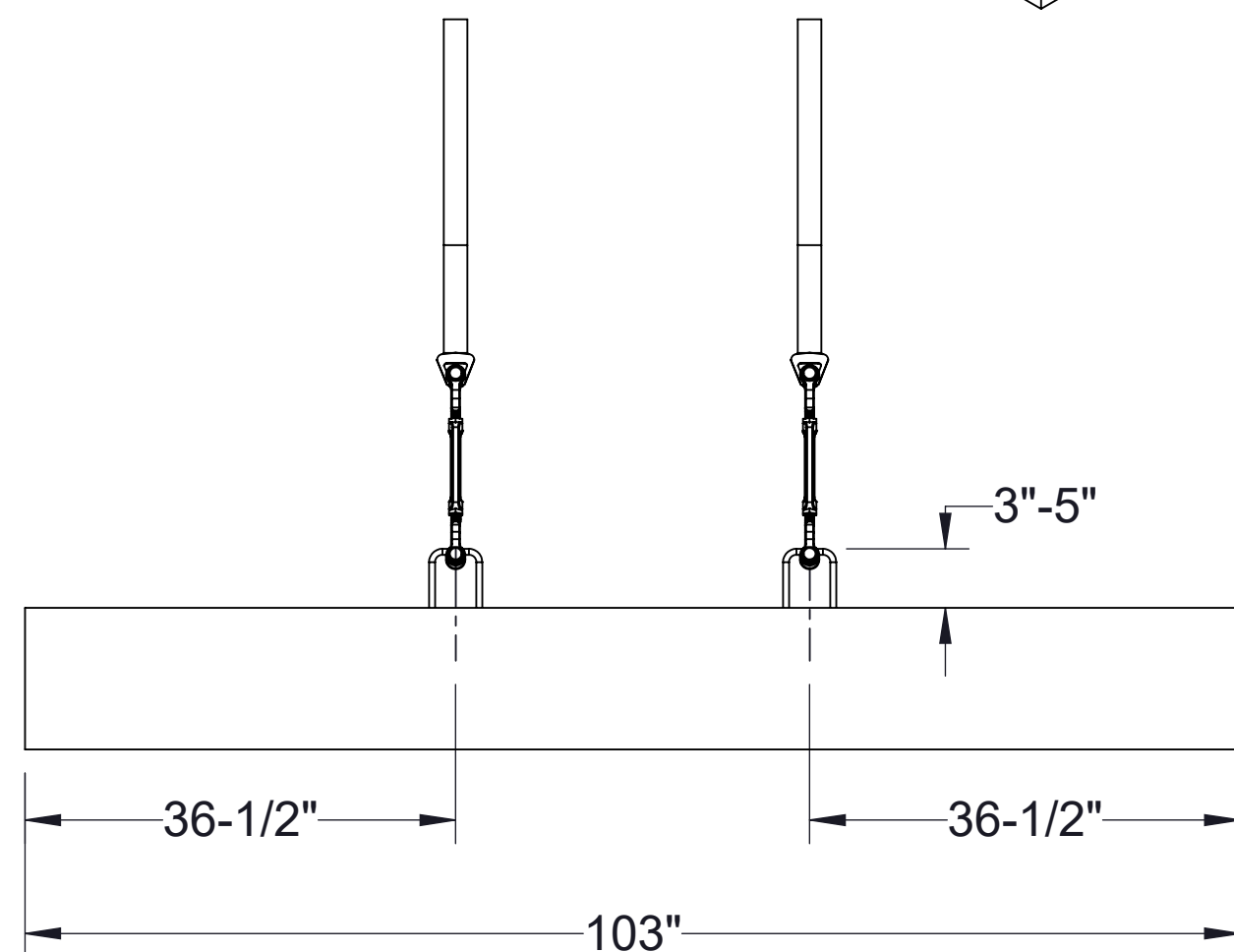
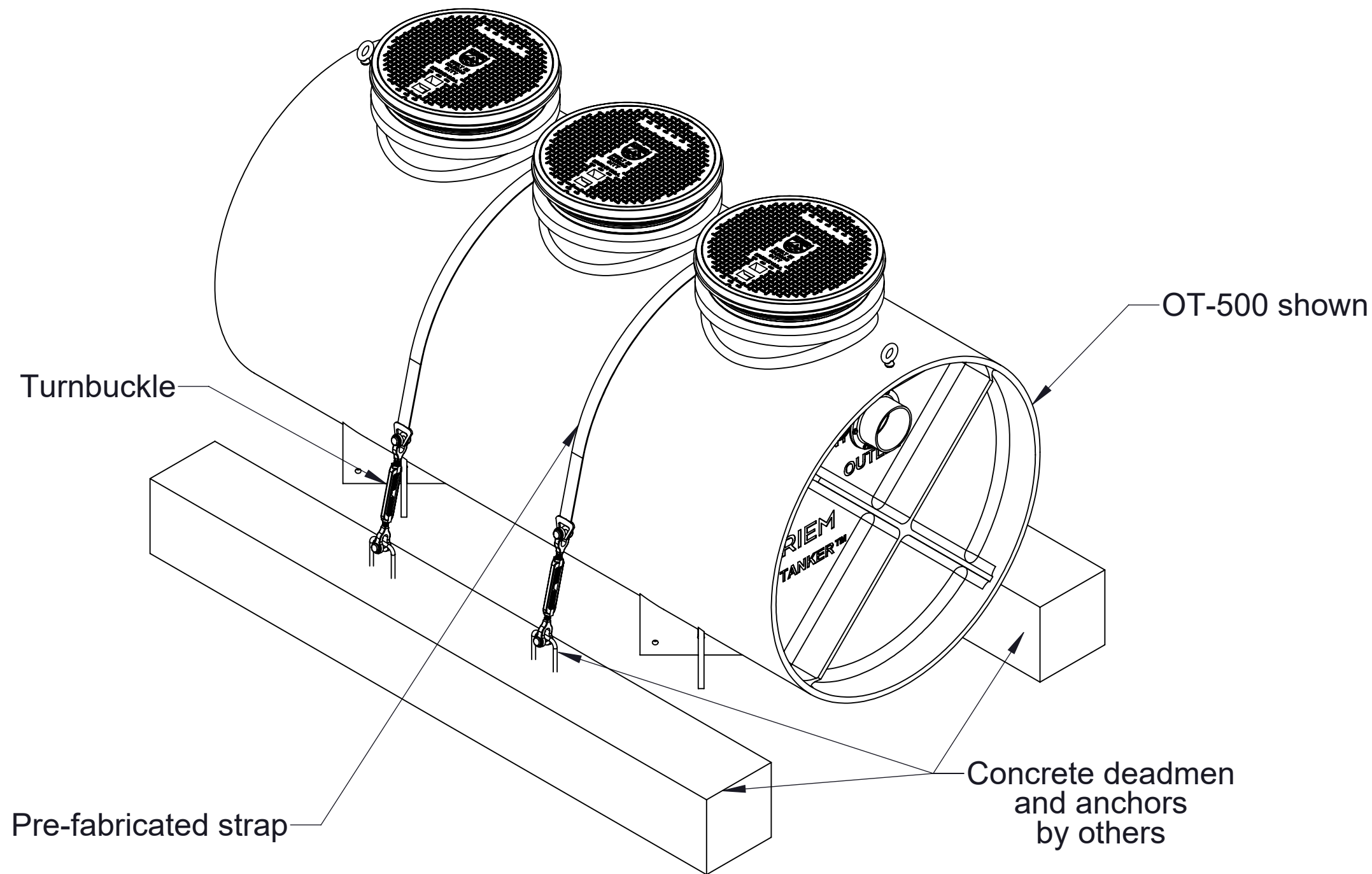


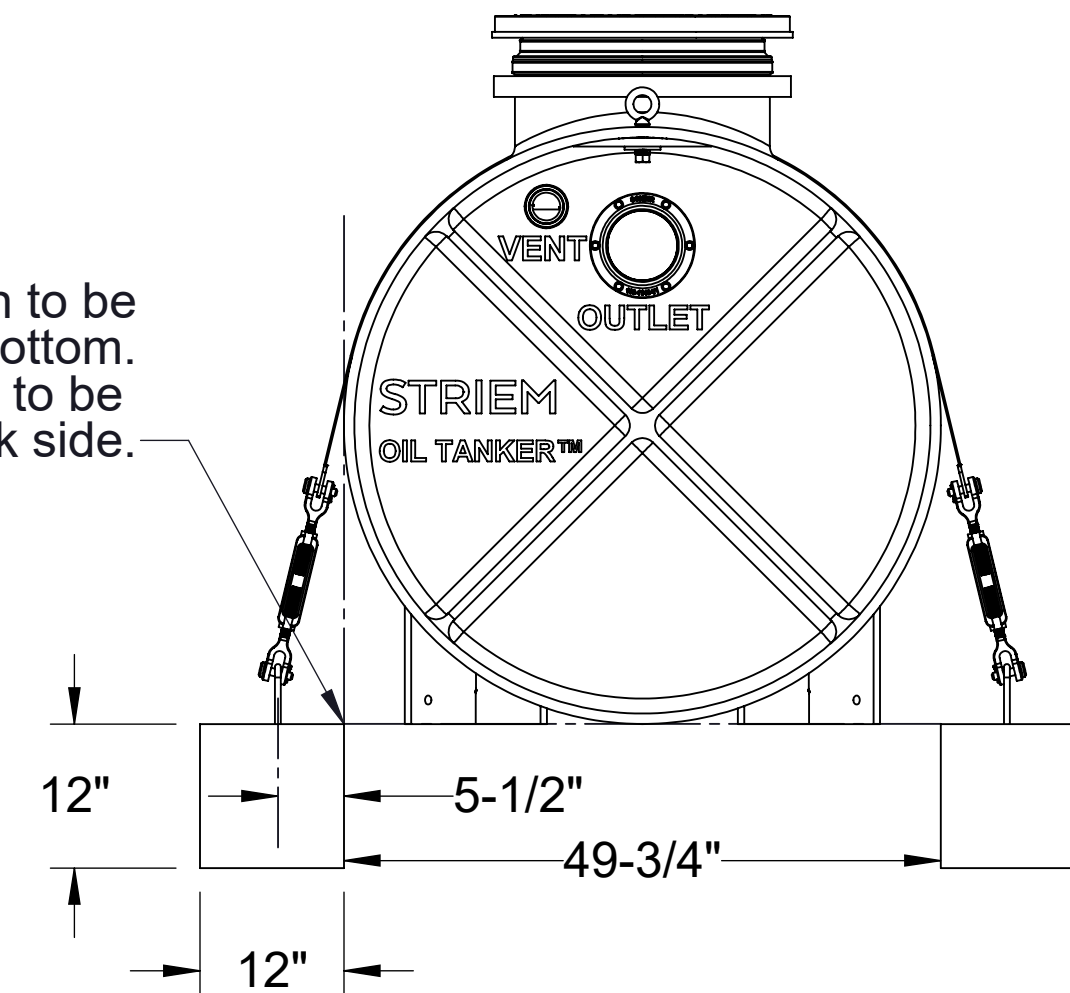
**SPECIFICATIONS**

1. DROP FORGED HOT DIPPED GALVANIZED TURNBUCKLES: 3500 LB RATED EACH.
2. PRE-FABRICATED STRAPS WITH D-RINGS : 3333 LB RATED EACH.

HDK-500 INCLUDES	
QTY	DESCRIPTION
4	TURNBUCKLES
2	STRAPS



Top of deadman to be tangent to tank bottom.  
Side of deadman to be tangent to tank side.



<b>MODEL NUMBER:</b> HDK-500	
<b>DESCRIPTION:</b> HIGH WATER TABLE HOLD DOWN KIT FOR 48" ID TANKS	
<b>DWG BY:</b> MJ	<b>DATE:</b> 10/07/2020 <b>REV:</b> <b>ECO:</b>

**SPECIFICATION SHEET**

**Striem**  
3100 Brinkerhoff  
Kansas City, KS 66115  
Tel: 913-222-1500  
Fax: 913-291-0457  
www.striemco.com



Made in the U.S.A

PROPRIETARY AND CONFIDENTIAL

THE INFORMATION CONTAINED IN THIS DRAWING IS THE SOLE PROPERTY OF STRIEM, LLC. ANY REPRODUCTION IN PART OR AS A WHOLE WITHOUT THE WRITTEN PERMISSION OF STRIEM, LLC. IS PROHIBITED.