

SPECIFICATIONS

1. Under-sink solids interceptor.
2. PVC housing, polycarbonate perforated basket with o-ring to provide water-tight seal.
3. 1-1/2" or 2" PVC socket inlet and outlet connections (adapters included).
4. Top inlet and three outlet options standard (plugs included for unused outlets).
5. Max flow rate: 23 GPM.
6. Solids capacity: 0.17 gallons, 0.68 quarts, 22 fl oz.
7. Unit weight: 3.2 lbs.
8. Maximum operating temperature: 140°F continuous.
9. For gravity drainage applications only.

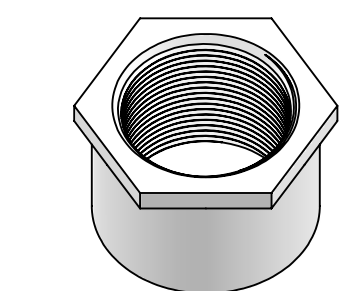
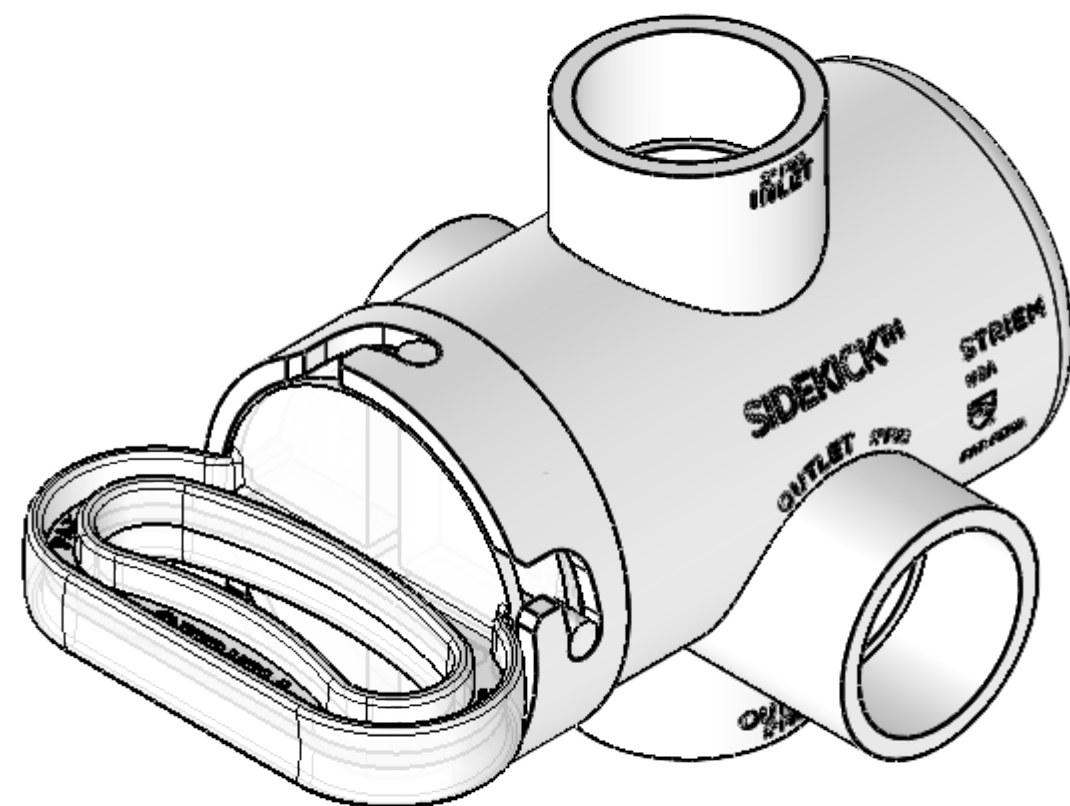
ENGINEER SPECIFICATION GUIDE

Striem solids interceptor model SIDEKICK™ shall be lifetime guaranteed and Made in the USA of injection-molded PVC housing and polycarbonate perforated basket. Perforated basket capacity shall be 0.17 gallons. Perforated basket shall have the ability to be maintained via side access. Perforated basket shall have clear face to allow visibility into unit. Interceptor shall be certified to IAPMO IGC 167-2011ae2 and carry a UPC® listing.

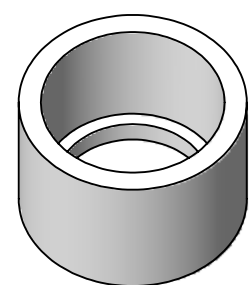
APPLICATIONS FOR USE*

- Pet wash sink (hair)
- Art room sink (clay/plaster)
- Kitchen sink (food waste)
- Utility sink (paint chips/debris)
- Washing machine (lint/debris)
- Barber shop/hair salon sink (hair)

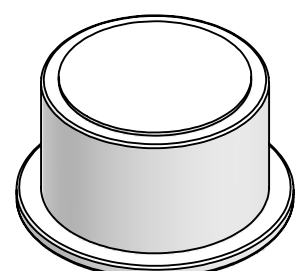
*List is not exhaustive.



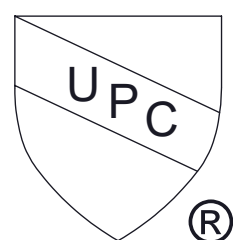
2" x 1 1/2" NPS
PVC Adapter



2" x 1 1/2"
PVC Adapter (2)

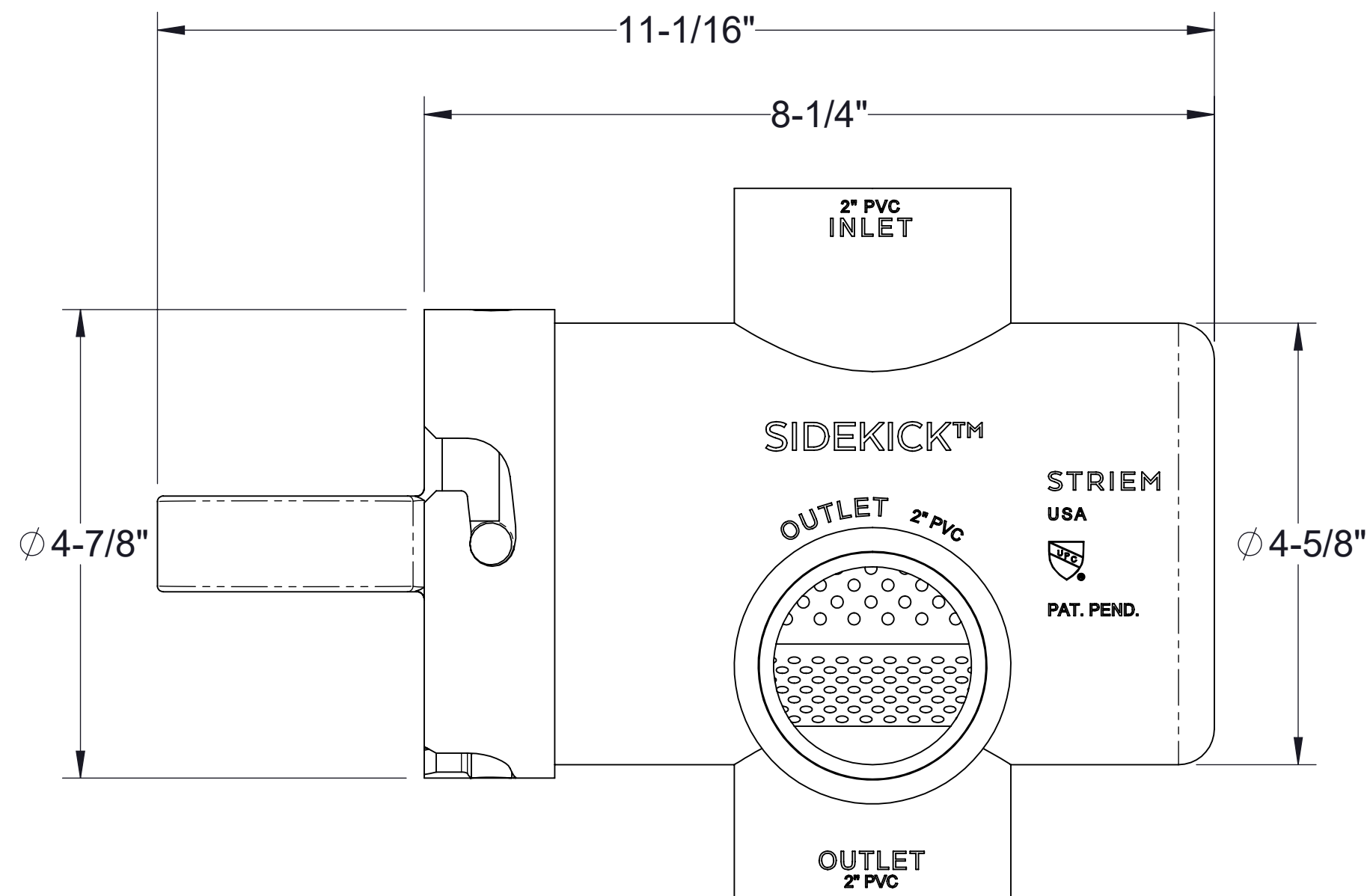
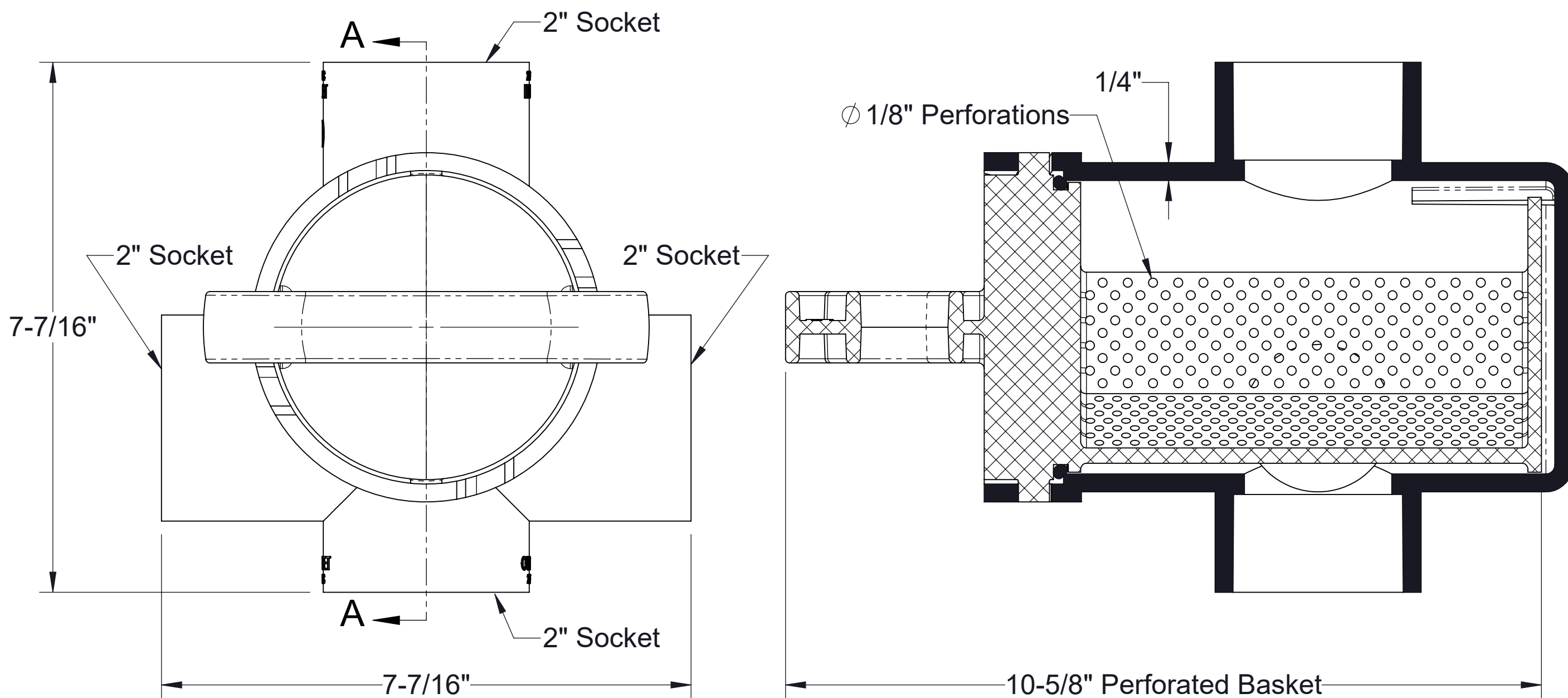


2" Inverted
PVC Plug (2)



PROPRIETARY AND CONFIDENTIAL

THE INFORMATION CONTAINED IN THIS DRAWING IS THE SOLE PROPERTY OF STRIEM, LLC. ANY REPRODUCTION IN PART OR AS A WHOLE WITHOUT THE WRITTEN PERMISSION OF STRIEM, LLC. IS PROHIBITED.



MODEL NUMBER: SIDEKICK		SPECIFICATION SHEET	
DESCRIPTION:		Striem 3100 Brinkerhoff Kansas City, KS 66115 Tel: 913-222-1500 orders@striemco.com www.striemco.com	
SIDEKICK™ SIDE ACCESS SOLIDS INTERCEPTOR			
DWG BY: WLF	DATE: 4/25/22	REV: 1	ECO: ---
		Made in the U.S.A	