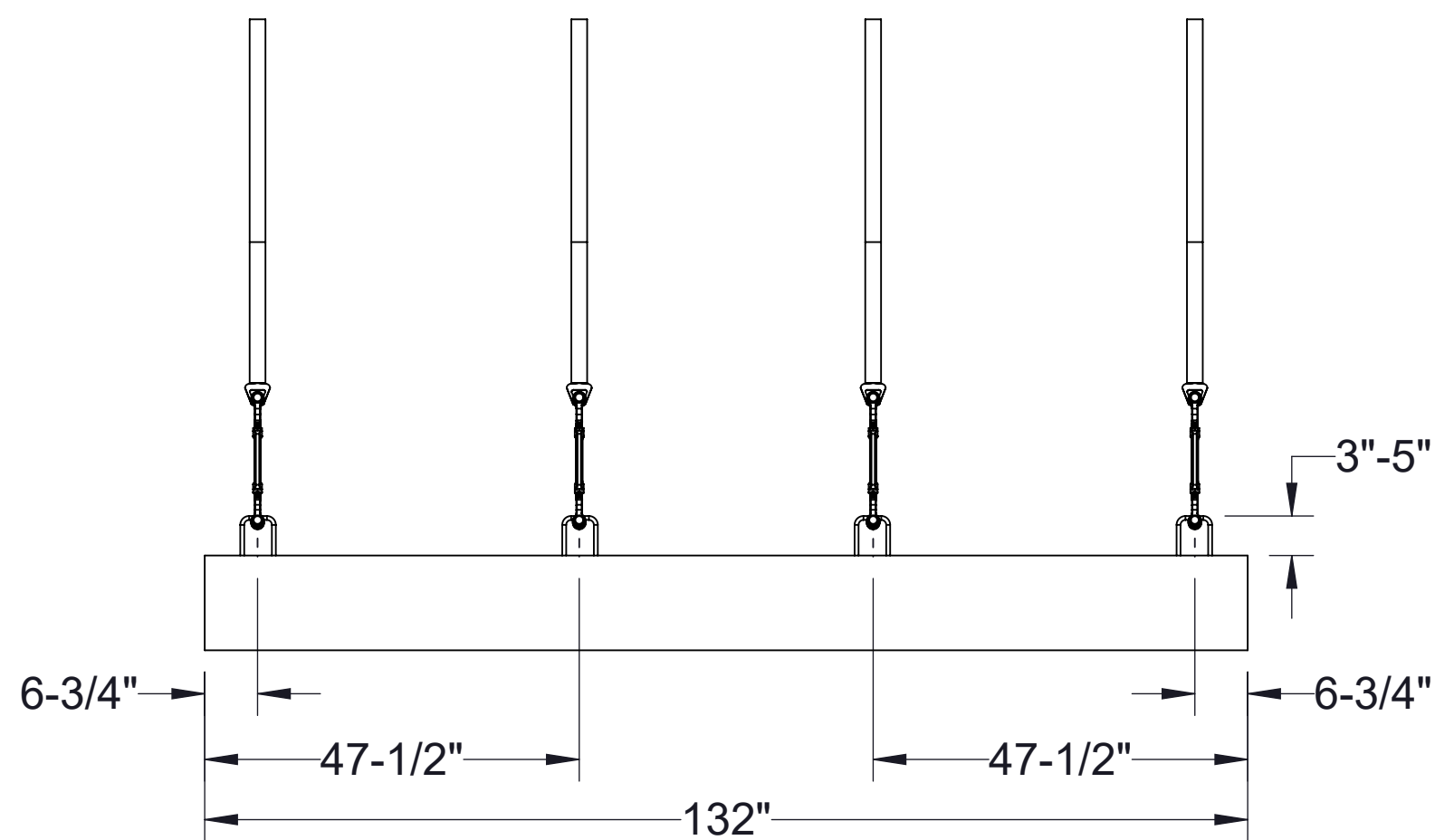
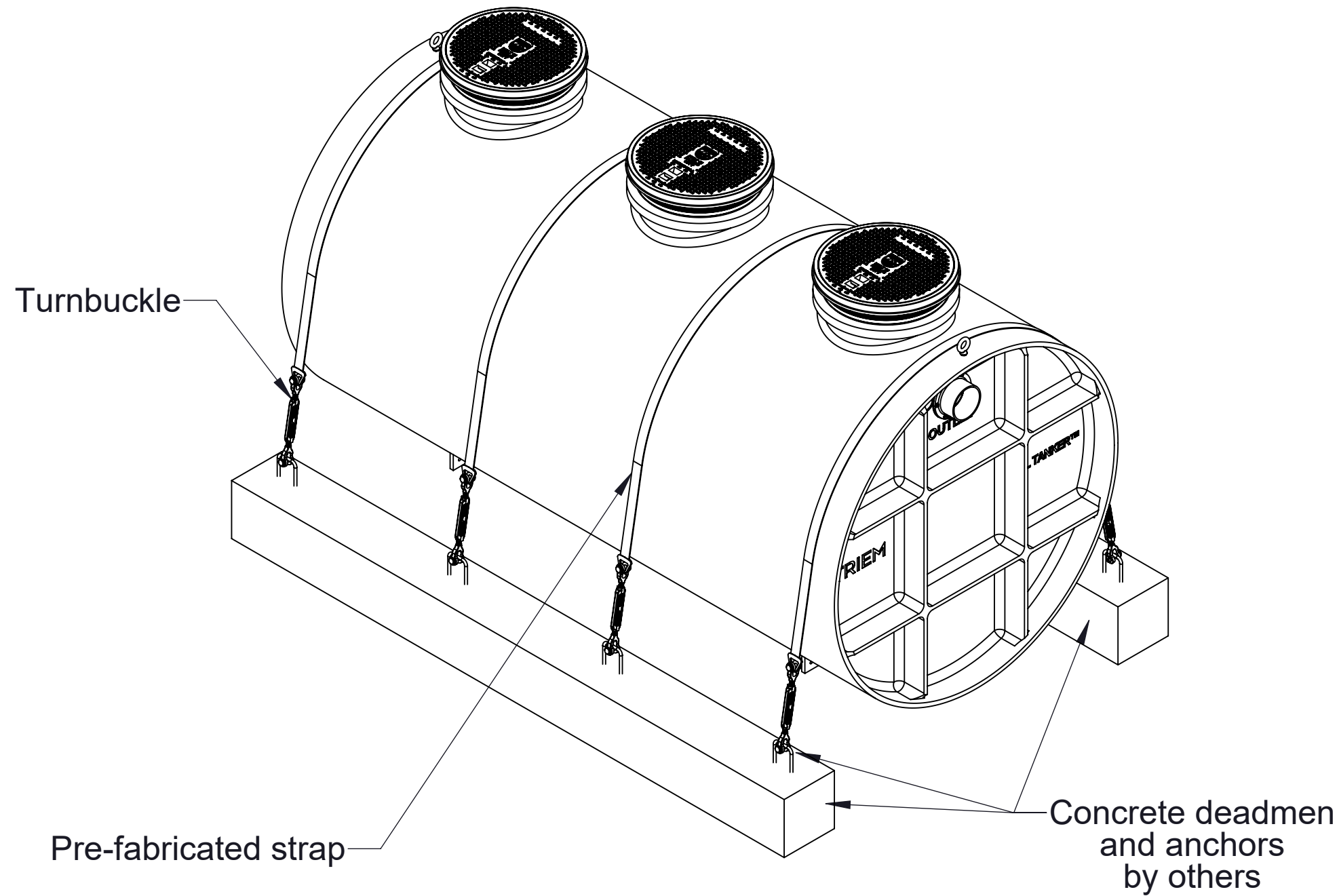


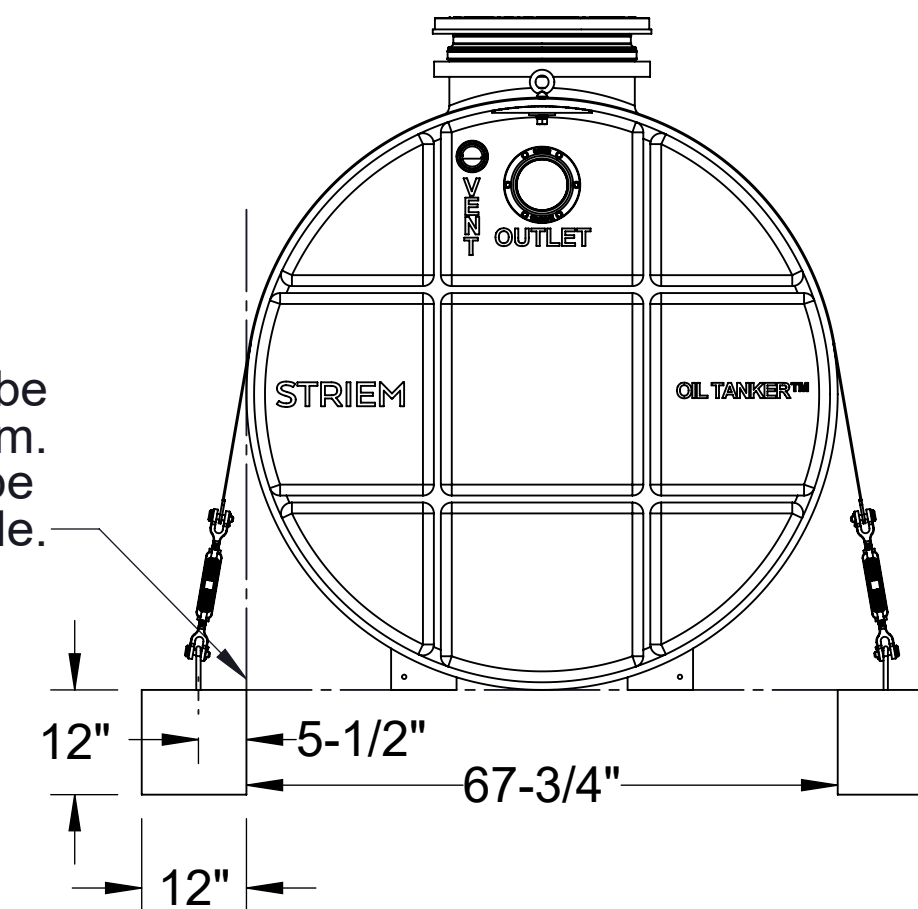
SPECIFICATIONS

1. DROP FORGED HOT DIPPED GALVANIZED TURNBUCKLES: 3500 LB RATED EACH.
2. PRE-FABRICATED STRAPS WITH D-RINGS : 3333 LB RATED EACH.

HDK-1500 INCLUDES	
QTY	DESCRIPTION
8	TURNBUCKLES
4	STRAPS



Top of deadman to be tangent to tank bottom.
Side of deadman to be tangent to tank side.



MODEL NUMBER: HDK-1500	
DESCRIPTION: HIGH WATER TABLE HOLD DOWN KIT FOR 66" ID TANKS	
DWG BY: MJ	DATE: 05/04/2021
REV:	ECO:

SPECIFICATION SHEET

Striem
3100 Brinkerhoff
Kansas City, KS 66115
Tel: 913-222-1500
orders@striemco.com
www.striemco.com



Made in the U.S.A

PROPRIETARY AND CONFIDENTIAL

THE INFORMATION CONTAINED IN THIS DRAWING IS THE SOLE PROPERTY OF STRIEM, LLC. ANY REPRODUCTION IN PART OR AS A WHOLE WITHOUT THE WRITTEN PERMISSION OF STRIEM, LLC. IS PROHIBITED.