

SPECIFICATIONS

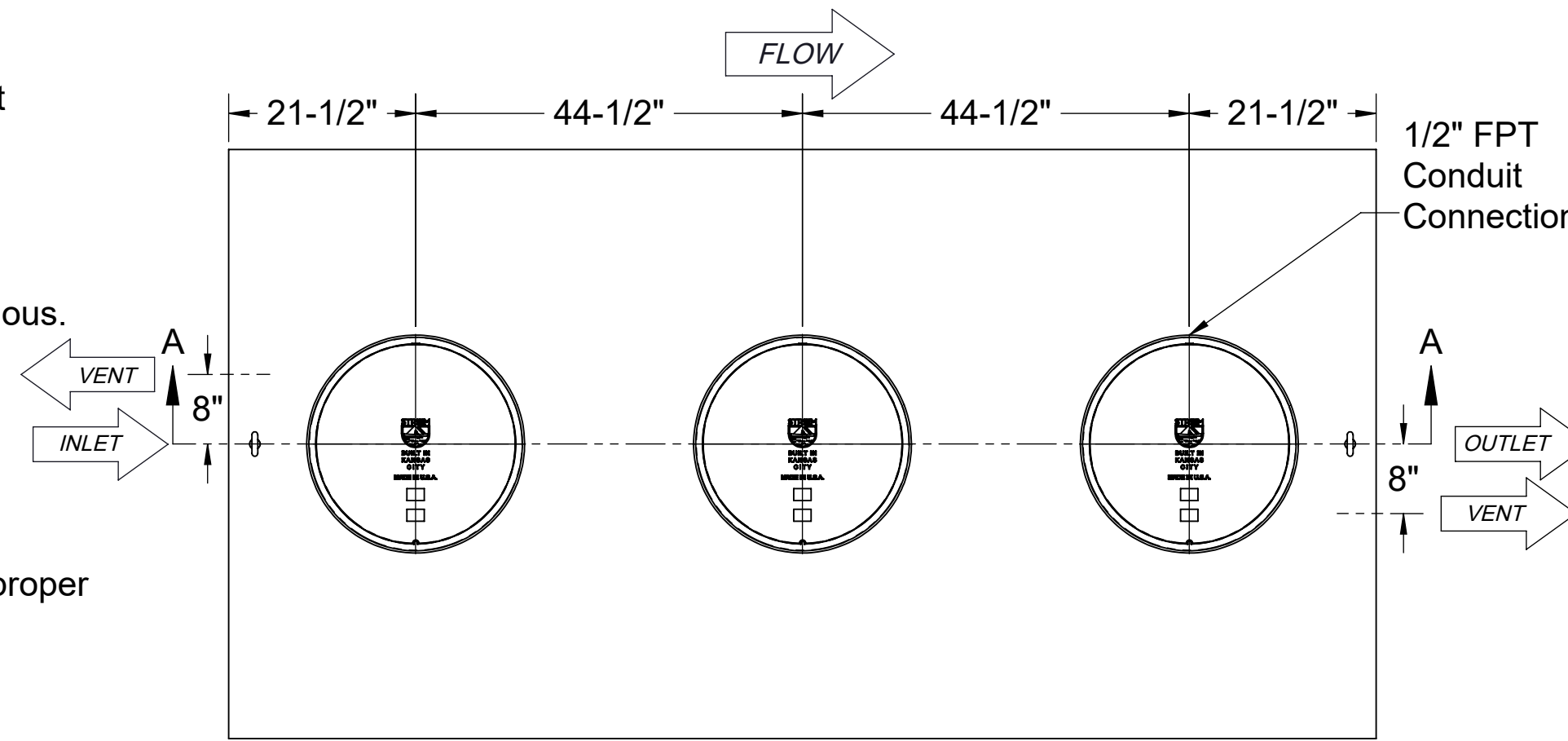
- 3" Plain end vents standard.
- Max flow rate: 314 GPM.
- Max flow rate to achieve 5 ppm of residual light liquid in effluent: 45 GPM.
- Liquid capacity: 1500 gallons (201 cu. ft.).
- Oil capacity: 488 gallons.
- Solids capacity: 413 gallons.
- Unit weight: 1816 lbs.
- Maximum operating temperature 140°F continuous.
- H2O rated pickable cast iron covers.
- Slick Stick™ Oil Level Monitoring System (see page 2).

NOTES

- For gravity drainage applications only. Do not use for pressure applications.
- Cover placement allows full access to tank for proper maintenance.
- Lifting lug set for easy install.
- For below grade installation only.

ENGINEER SPECIFICATION GUIDE

Striem Oil Tanker™ model OT-1500-SS-CS3 shall be lifetime guaranteed and made in USA of High Density Polyethylene with 7/8" nominal wall thickness. Tank shall be furnished for below grade installation with field adjustable riser system. Separator flow rate shall be 314 GPM. Separator oil capacity shall be 488 gallons. Sand capacity shall be 413 gallons. Separator shall be certified to IAPMO IGC 183-2016. Clean Sweep™ coalescing media has been third party tested to standard CEN EN858-1.



TOP VIEW

Directions: Complete steps 1-3 and submit signed with purchase order.

1. Connections

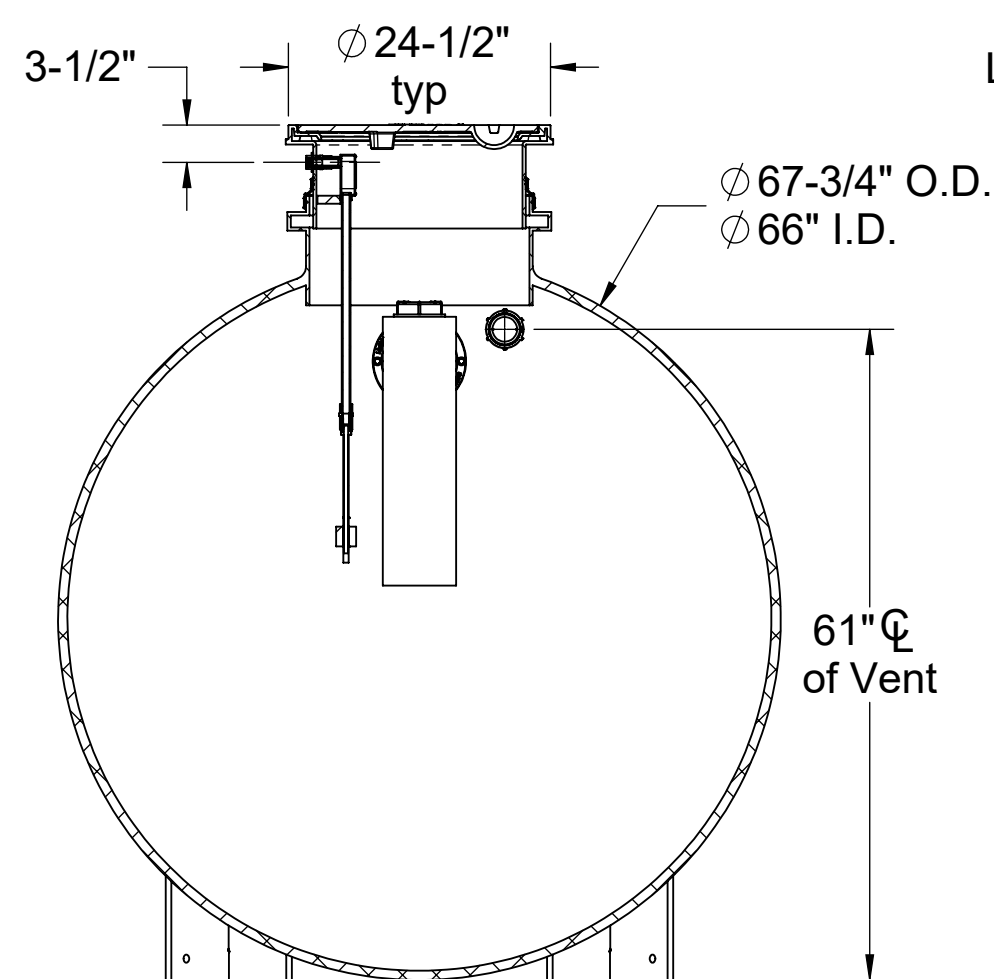
Inlet / Outlet	Size
<input type="checkbox"/> Plain End	<input type="checkbox"/> 4"
<input type="checkbox"/> Male Thread	<input type="checkbox"/> 6"
	<input type="checkbox"/> 8" (Plain End Only)

2. Riser Options

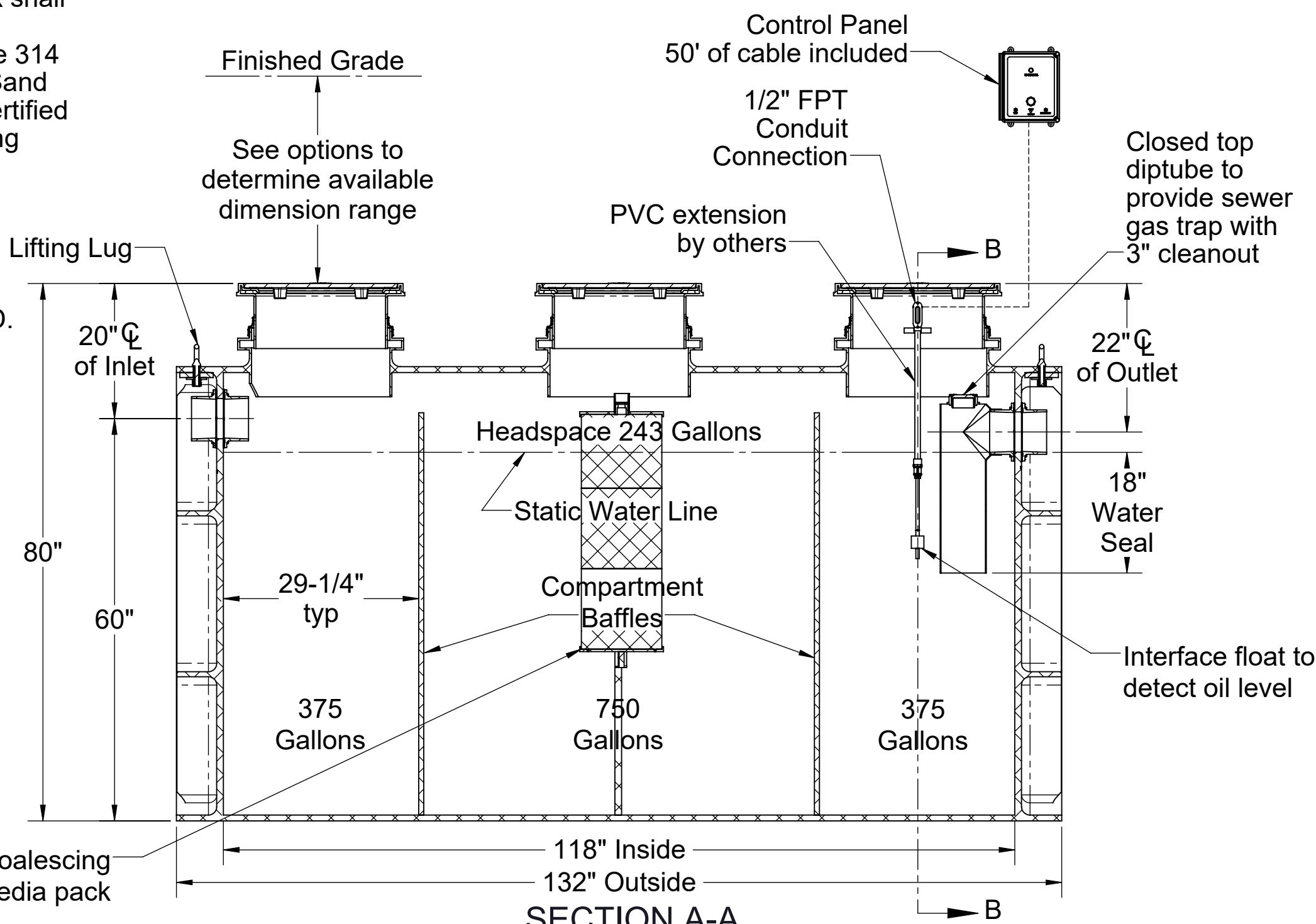
- Included: 0" - 2"**
- SR24 (3): 2" - 21"
 - LR24 (3): 21" - 36"
 - SR24 (6): 36" - 40"
 - SR24 (3) + LR24 (3): 40" - 55"
 - LR24 (6): 55" - 69"
 - SR24 (3) + LR24 (6): 69" - 87"
 - LR24 (9): 87" - 103"

3. Additional Options

- HDK-6: High Water Table Hold Down Kit



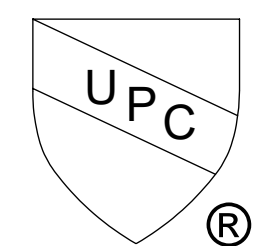
SECTION B-B



SECTION A-A

Signature of Approval: _____
 Company: _____
 Date of Approval: _____
 Specifying Engineer: _____
 Engineering Firm: _____

**PO IS NON-CANCELABLE
 ORDER IS NON-RETURNABLE**



MODEL NUMBER: OT-1500-SS-CS3

DESCRIPTION:
 OIL TANKER™
 POLYETHYLENE OIL SEPARATOR WITH
 SLICK STICK™ OIL LEVEL MONITORING SYSTEM
 AND CLEAN SWEEP™ COALESCING MEDIA
 1500 GALLON CAPACITY

SPECIFICATION SHEET

Striem
 3100 Brinkerhoff
 Kansas City, KS 66115
 Tel: 913-222-1500
 orders@striemco.com
 www.striemco.com



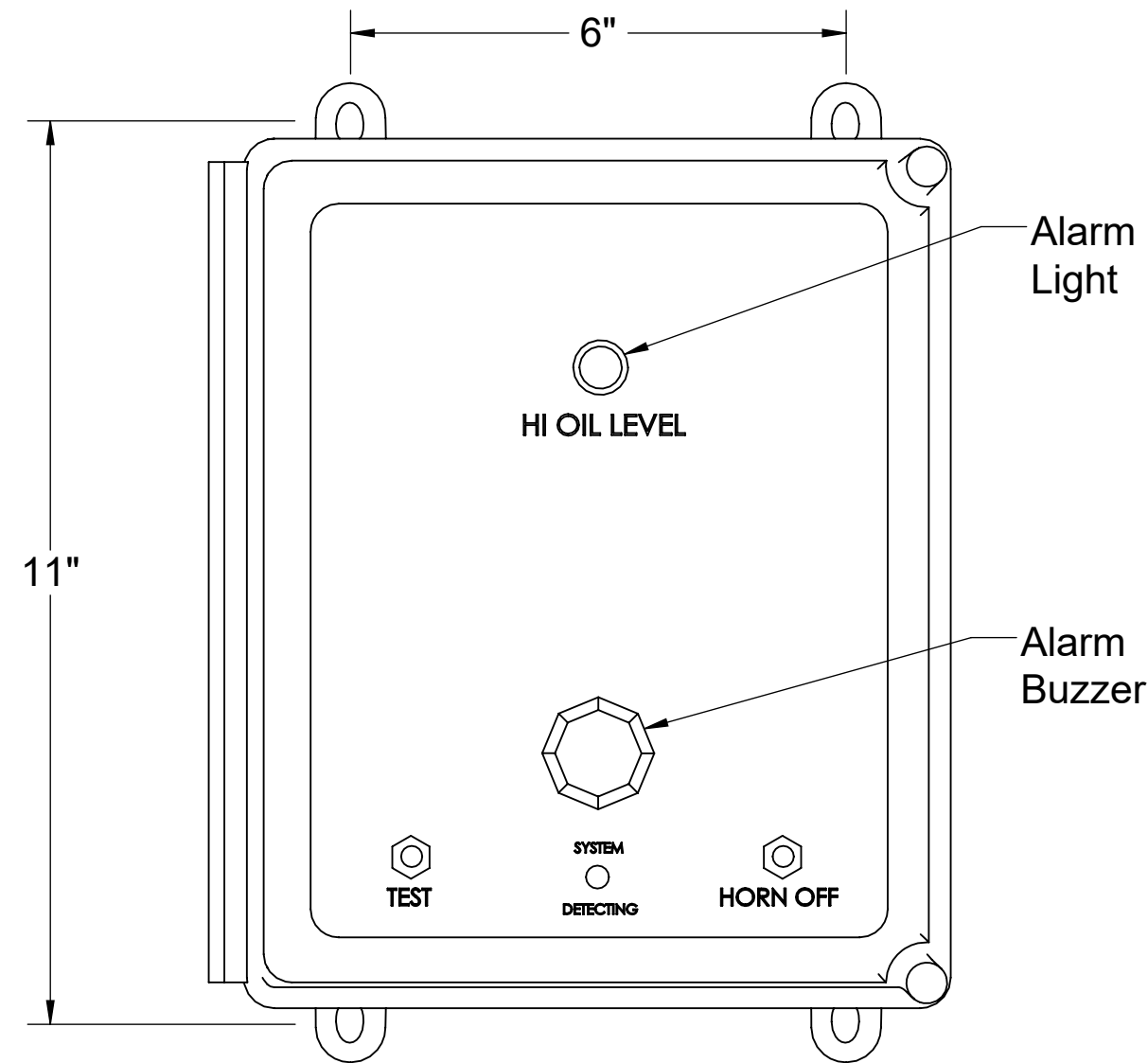
Made in the U.S.A

THE INFORMATION CONTAINED IN THIS DRAWING IS THE SOLE PROPERTY OF STRIEM, LLC. ANY REPRODUCTION IN PART OR AS A WHOLE WITHOUT THE WRITTEN PERMISSION OF STRIEM, LLC. IS PROHIBITED.

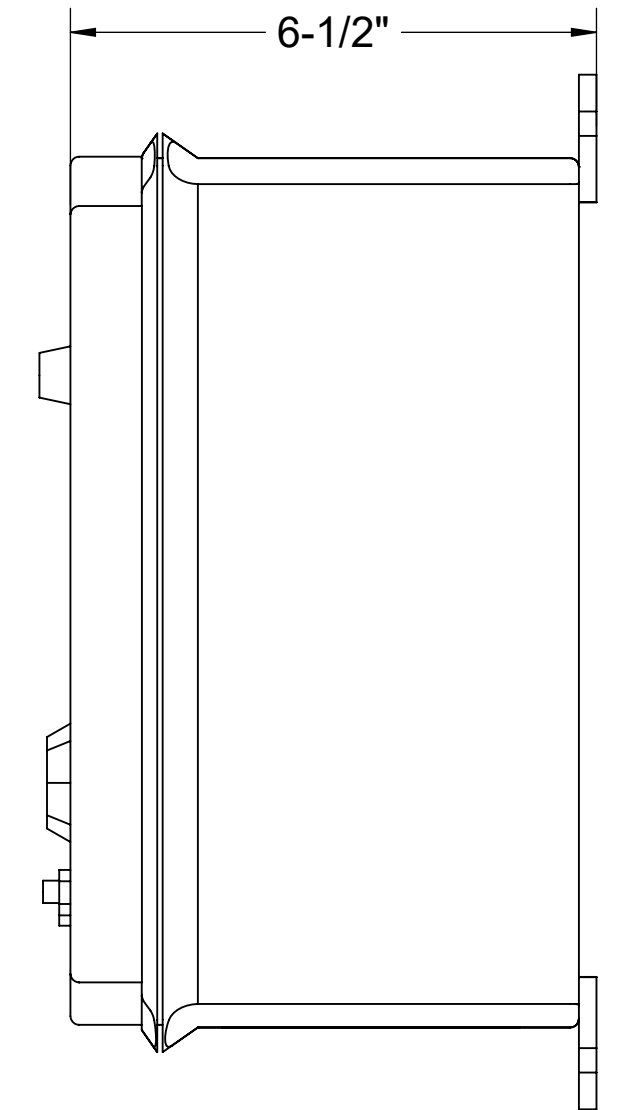
DWG BY: WLF DATE: 6/8/22 REV: 0 ECO:

SPECIFICATIONS

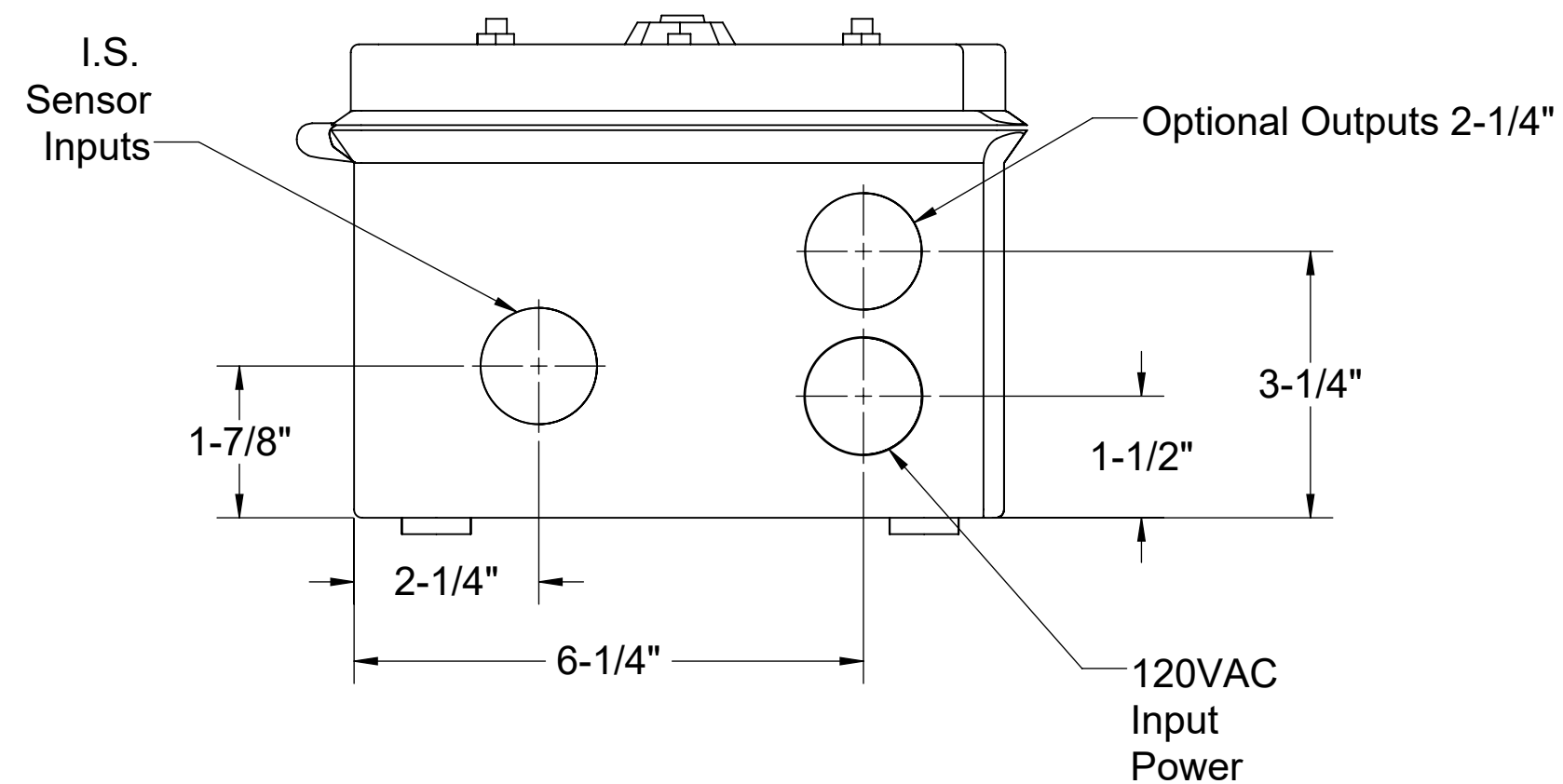
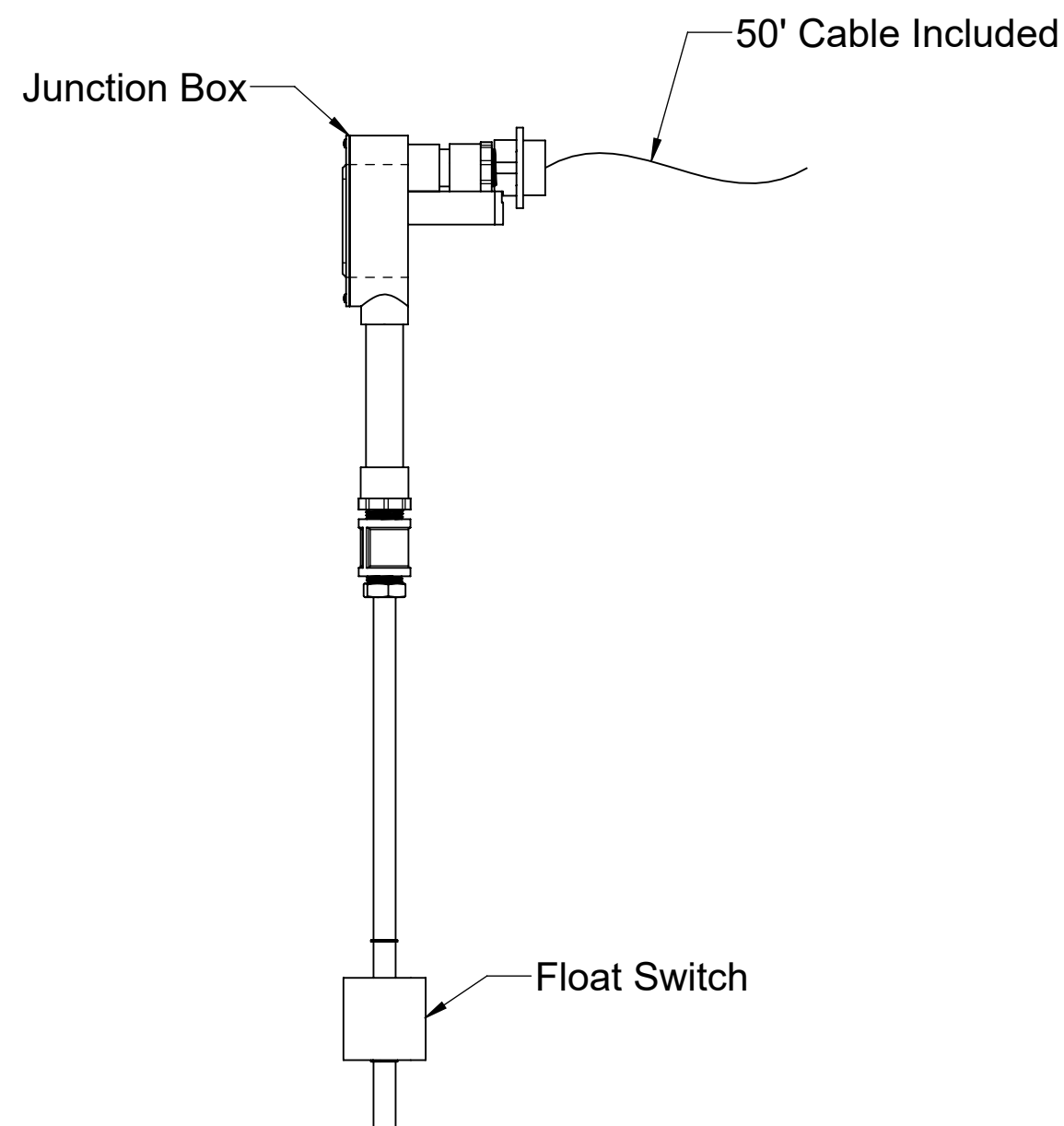
1. UL Listed
2. Provides warning of high oil level conditions with interface float.
3. Single phase, 120 volt, 60 hertz power required.
4. NEMA 4X fiberglass, corrosion resistant, weatherproof enclosure suitable for outdoor use and damp environments.
5. Audible Alarm Buzzer, 95dB pulsing horn with no timeout.
6. High Oil Light, indicates oil has accumulated below the oil interface float or the tank liquid level is below the High Oil Interface Float.
7. Power On light inside enclosure. Visible from the outside.
8. Green light indicates the power is on.
9. Horn off button that silences the audible alarm when pressed.
10. Test button that when pressed will test the system electronics.
11. Alarm bell stays on until reset. Light stays on until reset, even if level goes down.
12. Unit comes supplied with extra dry contact for connection to a building alarm system.



FRONT VIEW



LEFT VIEW



BOTTOM VIEW

MODEL NUMBER: 8056-001-01

DESCRIPTION:

SLICK STICK™ OIL LEVEL
MONITORING SYSTEM
FOR OS, OT, AND FLI SERIES

DWG BY: MJ **DATE:** 01/14/2022 **REV:** 03 **ECO:**

SPECIFICATION SHEET

Striem
3100 Brinkerhoff
Kansas City, KS 66115
Tel: 913-222-1500
orders@striemco.com
www.striemco.com

Made in the U.S.A



PROPRIETARY AND CONFIDENTIAL

THE INFORMATION CONTAINED IN THIS DRAWING IS THE SOLE PROPERTY OF STRIEM, LLC. ANY REPRODUCTION IN PART OR AS A WHOLE WITHOUT THE WRITTEN PERMISSION OF STRIEM, LLC. IS PROHIBITED.

Installation Guidelines:

1. The Slick Stick™ interface float and alarm panel will ship separately from the tank.
2. Install the 1/2" FPT brass coupling to the end of the Slick Stick™ interface float. Thread the 1/2" MPT x socket PVC fitting into the 1/2" FPT brass coupling.
3. If the tank is to be installed above grade, or without any adjustment to the adapter, install a length of 1/2" sch. 40 PVC pipe between the bottom of the junction box and the top of the 1/2" MPT x socket PVC fitting. Choose the length from Table 1 that corresponds with the unit, and oil capacity to be monitored.
4. If the tank is buried, and the adapter will be adjusted upward and/or risers will be used, add the total upward extension dimension to the length determined from Table 1 to determine total length of 1/2" PVC pipe length. For example, assume an OS-75 is being installed below grade and requires 26" of riser extension. Assume you want the control panel to alarm when the oil capacity reaches 70% of the total oil capacity. The length of the 1/2" PVC pipe extension should be 26" (riser depth) + 10" (from Table 1) = 36".
5. Run interface float wiring through 1/2" PVC pipe and into the bottom of the junction box inside the adapter. Connect wiring to alarm panel (see wire diagram).
6. Once power is applied, the alarm will sound. Fill the tank to the active water line to silence the alarm.

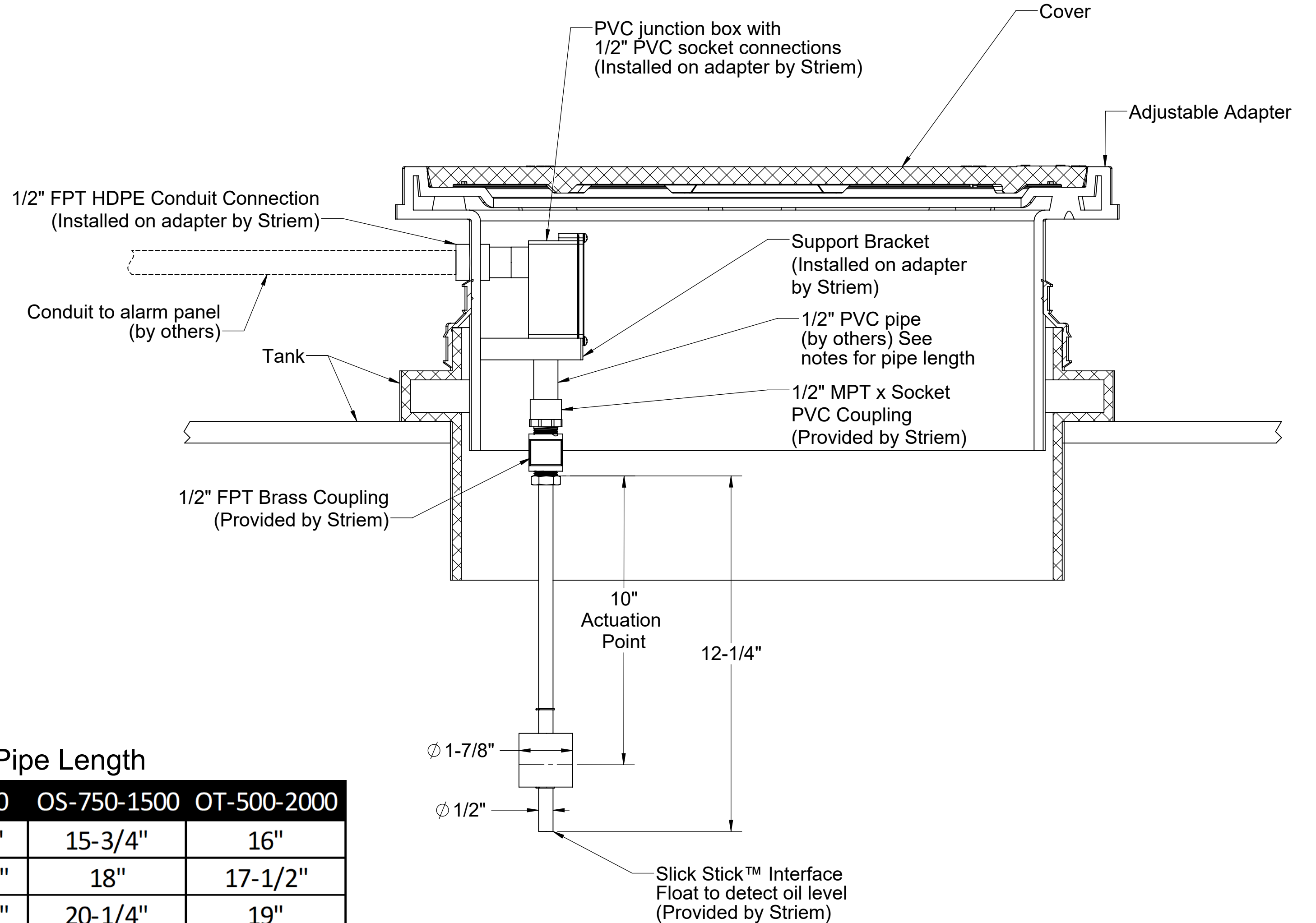


Table 1: 1/2" PVC Pipe Length

Oil Capacity	OS-50	OS-75	OS-100	OS-750-1500	OT-500-2000
50%	1-1/2"	6-5/8"	9-5/8"	15-3/4"	16"
60%	2-3/8"	8-1/4"	11-1/2"	18"	17-1/2"
70%	3-3/8"	10"	13-1/4"	20-1/4"	19"
80%	4-3/8"	12"	15"	22-1/2"	20-1/2"
90%	5-1/2"	13-7/8"	18-3/4"	24-1/2"	22"

PROPRIETARY AND CONFIDENTIAL
 THE INFORMATION CONTAINED IN THIS DRAWING IS THE SOLE PROPERTY OF STRIEM, LLC.
 ANY REPRODUCTION IN PART OR AS A WHOLE WITHOUT THE WRITTEN PERMISSION OF STRIEM, LLC. IS
 PROHIBITED.

DESCRIPTION:

**SLICK STICK™
 INTERFACE FLOAT
 INSTALLATION GUIDELINES**

Striem
 3100 Brinkerhoff
 Kansas City, KS 66115
 Tel: 913-222-1500
 orders@striemco.com
 www.striemco.com



Made in the U.S.A

DWG BY: MJ | DATE: 01/14/2022 | REV: 04 | ECO: