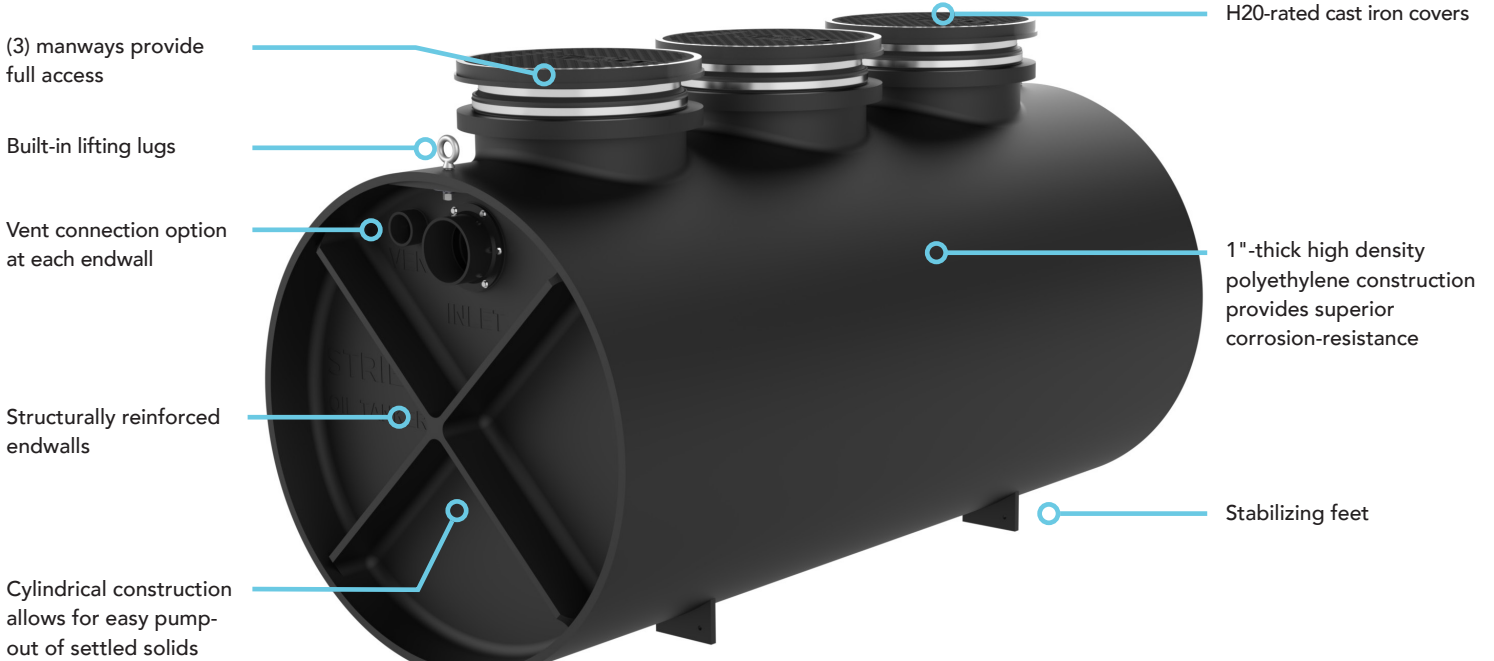




OIL TANKER™ SERIES

VOLUME-BASED OIL SEPARATORS

THE INDUSTRY'S FIRST CERTIFIED POLYETHYLENE OIL SEPARATOR



(OT-500 shown)

CHECK OUT OUR
ONLINE
SIZING TOOL.



Listed by IAPMO
to IGC 183-2016

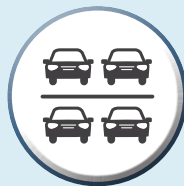
APPLICATIONS



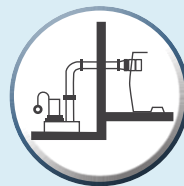
AUTO SERVICE/
REPAIR STATIONS



FIRE HOUSE/
POLICE STATIONS



PARKING
GARAGES



HYDRAULIC
ELEVATOR PITS



CAR WASHES



LOADING
DOCKS



AIRPORTS /
HANGARS



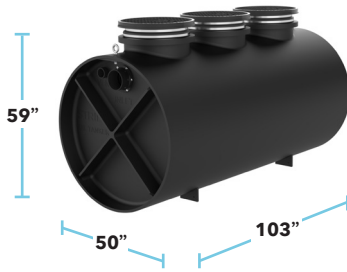
913-222-1500 HELP@STRIEMCO.COM
STRIEMCO.COM





OIL TANKER™ SERIES

VOLUME-BASED OIL SEPARATORS



OT-500

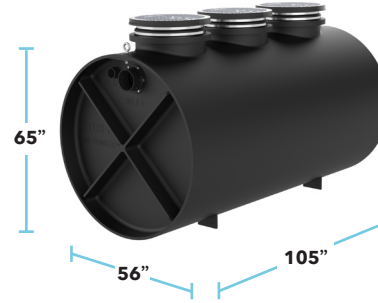
CONNECTIONS: 4", 6", or 8"

OIL CAPACITY: 285 GAL.

MAX FLOW RATE: 314 GPM

SAND CAPACITY: 162 GAL.

LIQUID CAPACITY: 560 GAL.



OT-750

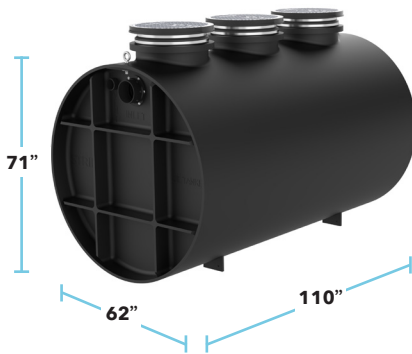
CONNECTIONS: 4", 6", or 8"

OIL CAPACITY: 323 GAL.

MAX FLOW RATE: 314 GPM

SAND CAPACITY: 295 GAL.

LIQUID CAPACITY: 750 GAL.



OT-1000

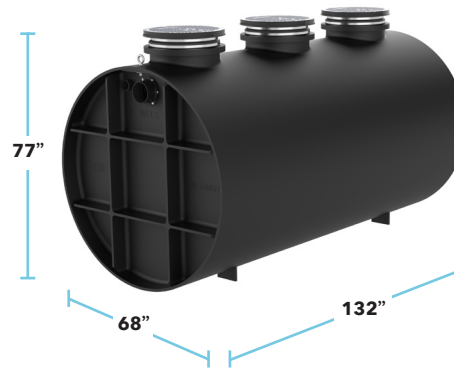
CONNECTIONS: 4", 6", or 8"

OIL CAPACITY: 370 GAL.

MAX FLOW RATE: 314 GPM

SAND CAPACITY: 477 GAL.

LIQUID CAPACITY: 1,000 GAL.



OT-1500

CONNECTIONS: 4", 6", or 8"

OIL CAPACITY: 488 GAL.

MAX FLOW RATE: 314 GPM

SAND CAPACITY: 825 GAL.

LIQUID CAPACITY: 1,500 GAL.

OPTIONS

- SR/LR field-adjustable extensions
- Corrugated Pipe Riser Kit (CPRK)
- High water hold down kits
- Slick Stick™ oil level monitoring system

SPEC FORMATS



*AVAILABLE ONLINE FOR ALL PRODUCTS



913-222-1500 HELP@STRIEMCO.COM
STRIEMCO.COM

