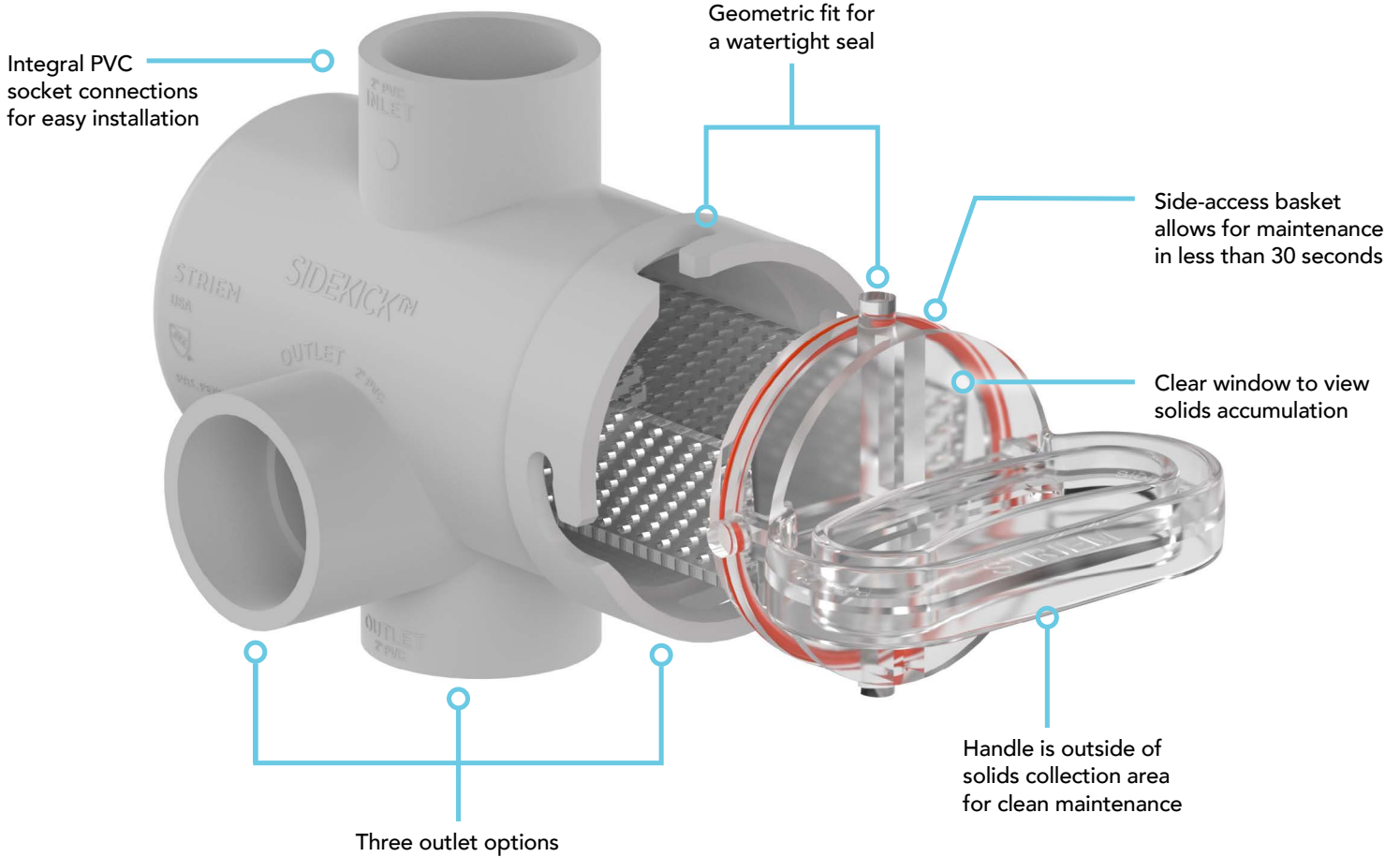




SIDEKICK™

POINT-OF-USE SIDE-ACCESS SOLIDS INTERCEPTOR



List by IAPMO to IGC 167-2011ae2
Patent pending

APPLICATIONS



LAUNDRY FACILITIES



COMMERCIAL KITCHENS



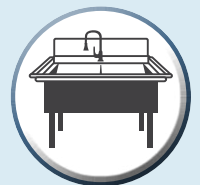
DOG WASH & PET KENNELS



ART ROOM SINKS



BARBER SHOPS & HAIR SALONS



UTILITY SINKS



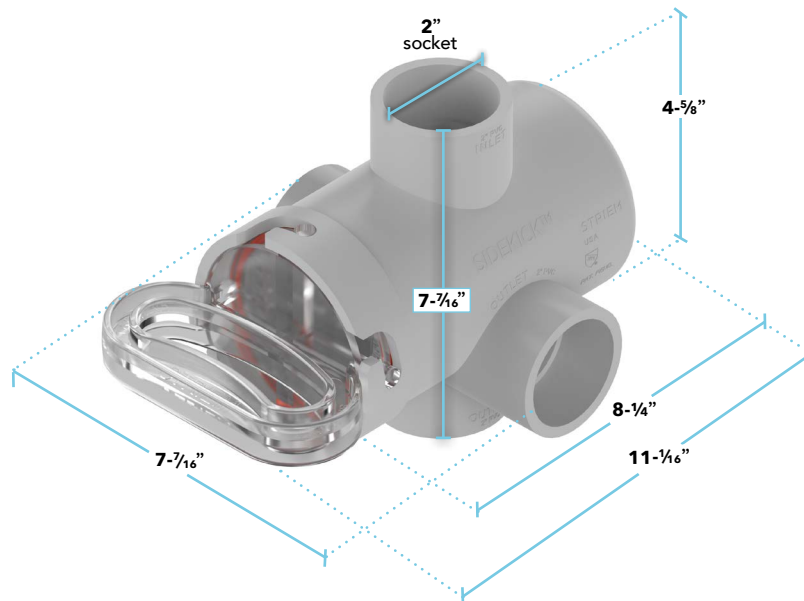
913-222-1500 HELP@STRIEMCO.COM
STRIEMCO.COM





SIDEKICK™

POINT-OF-USE SIDE-ACCESS SOLIDS INTERCEPTOR



WHAT'S INCLUDED

- Housing
- Perforated Basket
- O-ring
- 2" PVC Plugs (2)
- 2" x 1-1/2" PVC Adapters (2)
- 2" x 1-1/2" NPS PVC Adapter



FEATURES

- Side-access basket solves the top or bottom maintenance problem
- Strong, polycarbonate basket can be easily emptied into a waste receptacle
- Sidekick can be installed in tight footprint areas
- Notched basket design allows it to only fit in correct orientation
- Basket is dishwasher safe

