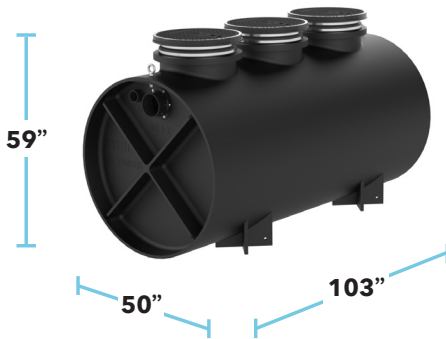




WSSC OIL SEPARATOR SELECTION GUIDE



SMALL INTERCEPTOR

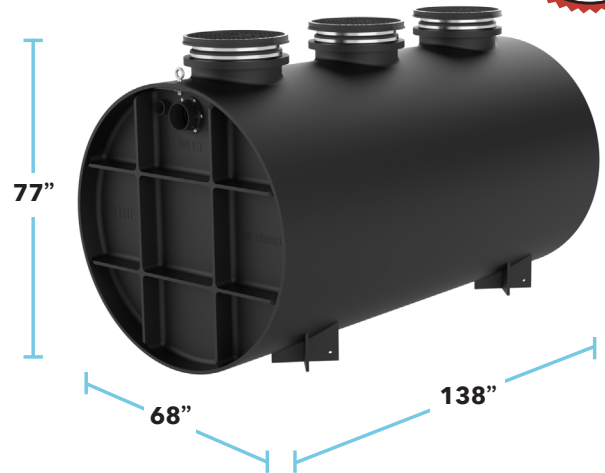
OS-500-WSSC

CONNECTIONS: 4", 6"

LIQUID CAPACITY: 560 GAL.

OIL CAPACITY: 285 GAL.

SAND CAPACITY: 162 GAL.



LARGE INTERCEPTOR

OS-1600-WSSC

CONNECTIONS: 4", 6"

LIQUID CAPACITY: 1,500 GAL.

OIL CAPACITY: 488 GAL.

SAND CAPACITY: 825 GAL.

OPTIONS

- SR/LR field-adjustable extensions
- Corrugated Pipe Riser Kit (CPRK)
- High water hold down kits
- Slick Stick™ oil level monitoring system

SPEC FORMATS



*AVAILABLE ONLINE FOR ALL PRODUCTS

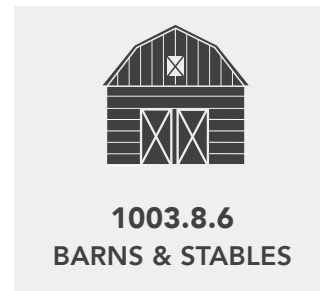
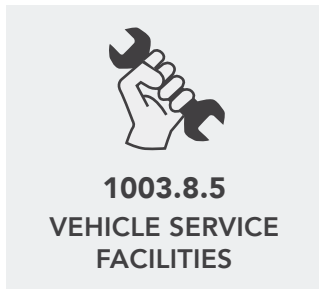
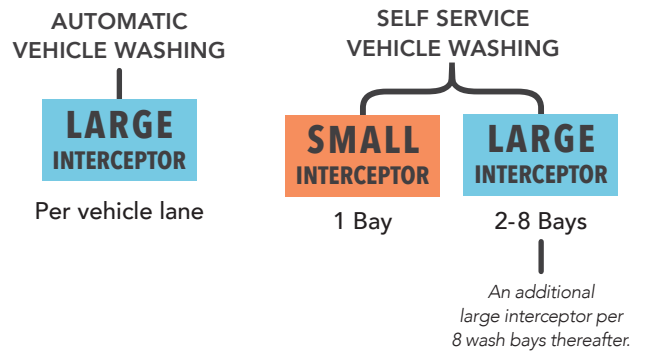
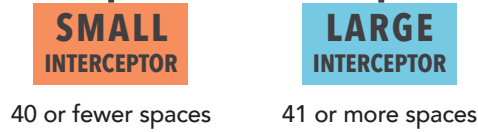


913-222-1500 HELP@STRIEMCO.COM
STRIEMCO.COM





WSSC OIL SEPARATOR SELECTION GUIDE



For other applications that are not covered in WSSC 1003.8, please contact Striem or Virginia Maryland Associates.

📞 913-222-1500 ✉️ HELP@STRIEMCO.COM

🌟 STRIEMCO.COM



LOCAL REP: Virginia Maryland Associates

CONTACT: Matt Bieganski, 702-994-0531 | mattb@vamdassociates.com

