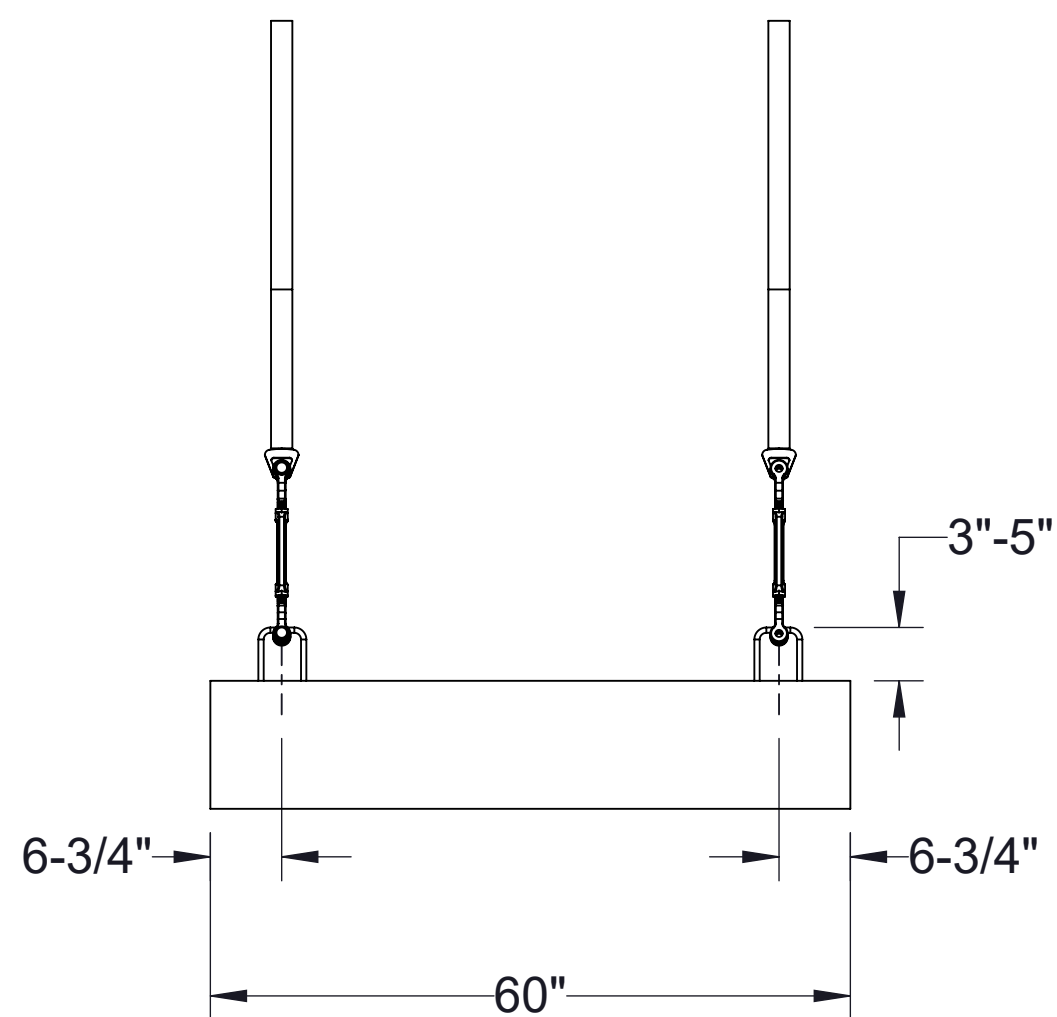
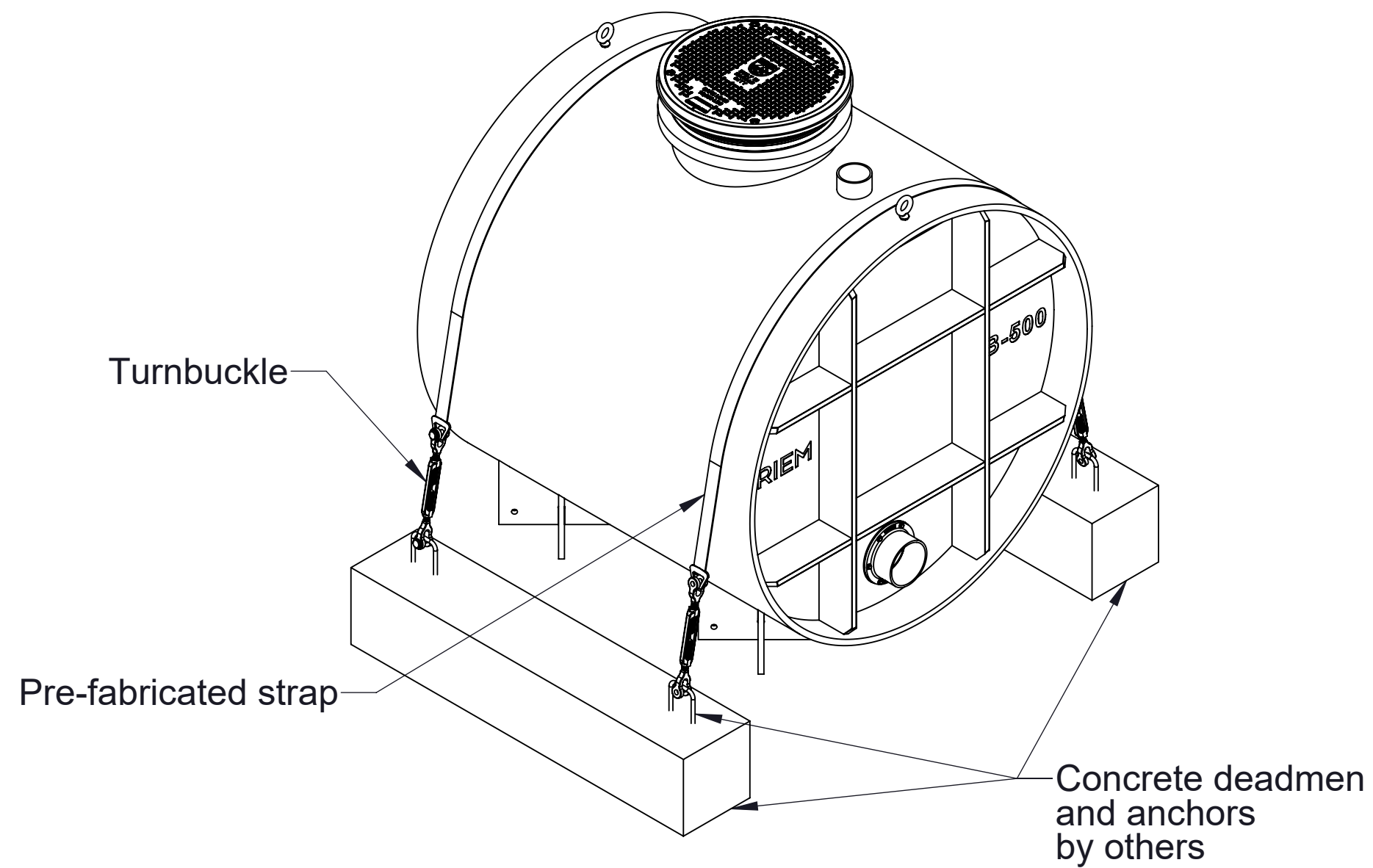


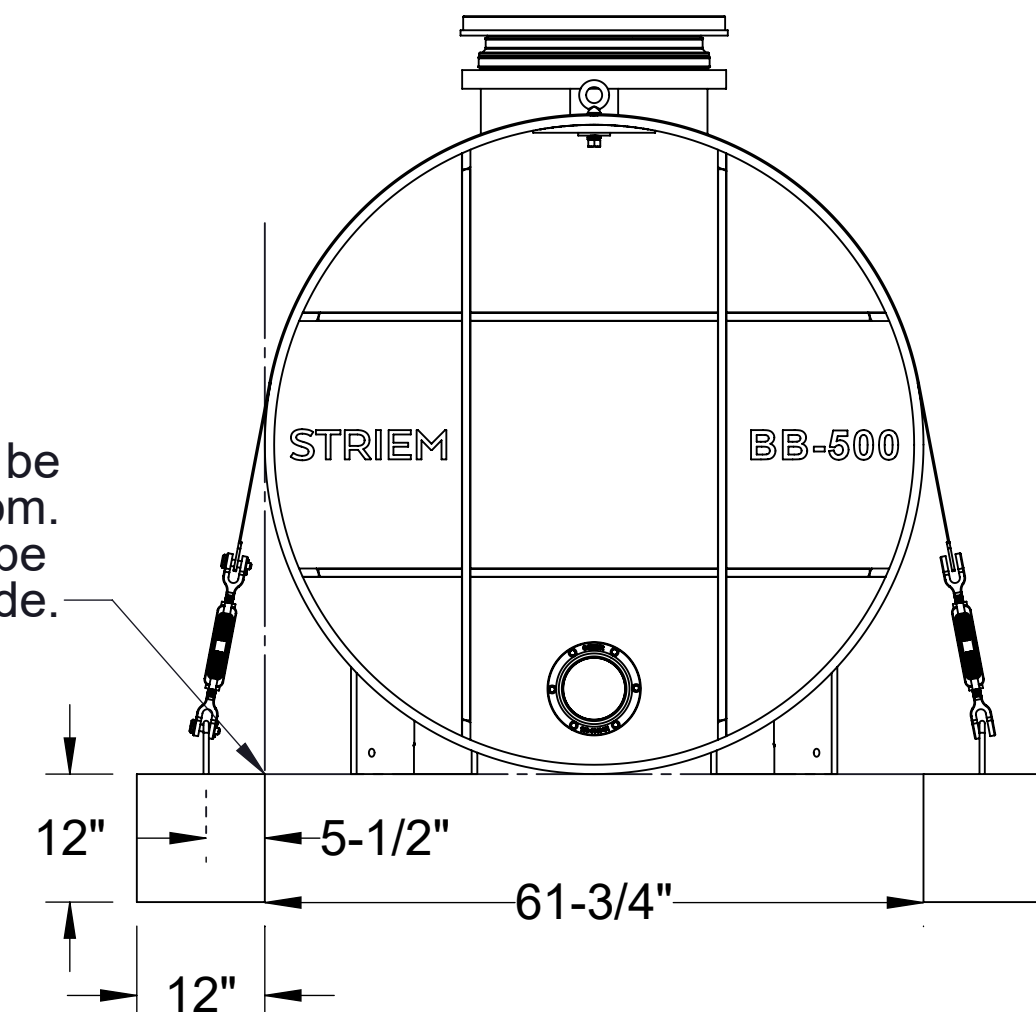
SPECIFICATIONS

1. DROP FORGED HOT DIPPED GALVANIZED TURNBUCKLES: 3500 LB RATED EACH.
2. PRE-FABRICATED STRAPS WITH D-RINGS : 3333 LB RATED EACH.

HDK-BB-500 INCLUDES	
QTY	DESCRIPTION
4	TURNBUCKLES
2	STRAPS



Top of deadman to be tangent to tank bottom.
Side of deadman to be tangent to tank side.



MODEL NUMBER: HDK-CWT-500

DESCRIPTION:

HIGH WATER TABLE HOLD DOWN KIT FOR
500 GAL 60" ID CWT TANKS

SPECIFICATION SHEET

Striem
3100 Brinkerhoff
Kansas City, KS 66115
Tel: 913-222-1500
orders@striemco.com
www.striemco.com



Made in the U.S.A

DWG BY: RS **DATE:** 04/27/21 **REV:** **ECO:**

PROPRIETARY AND CONFIDENTIAL

THE INFORMATION CONTAINED IN THIS DRAWING IS THE SOLE PROPERTY OF STRIEM, LLC. ANY REPRODUCTION IN PART OR AS A WHOLE WITHOUT THE WRITTEN PERMISSION OF STRIEM, LLC. IS PROHIBITED.