

**SPECIFICATIONS**

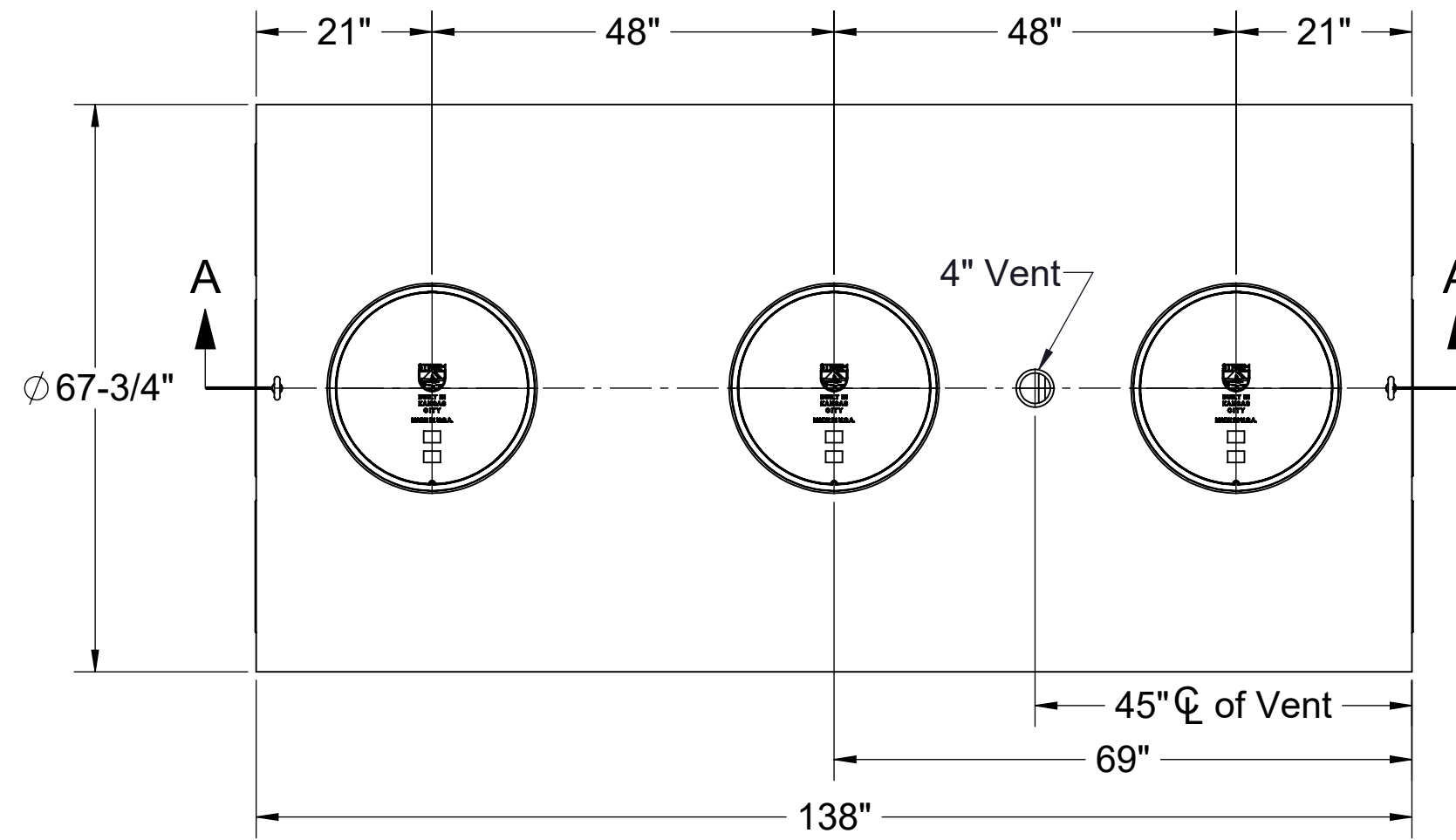
1. 4" Plain End inlet/outlet shown, 4" Plain End vent standard.
2. Max flow rate: 314 GPM.
3. Liquid capacity: 1615 Gallons (215.8 cu. ft.)
4. Oil capacity: 1231 Gallons.
5. Unit weight: 1800 lbs.
6. Maximum operating temperature 140°F continuous.

**NOTES**

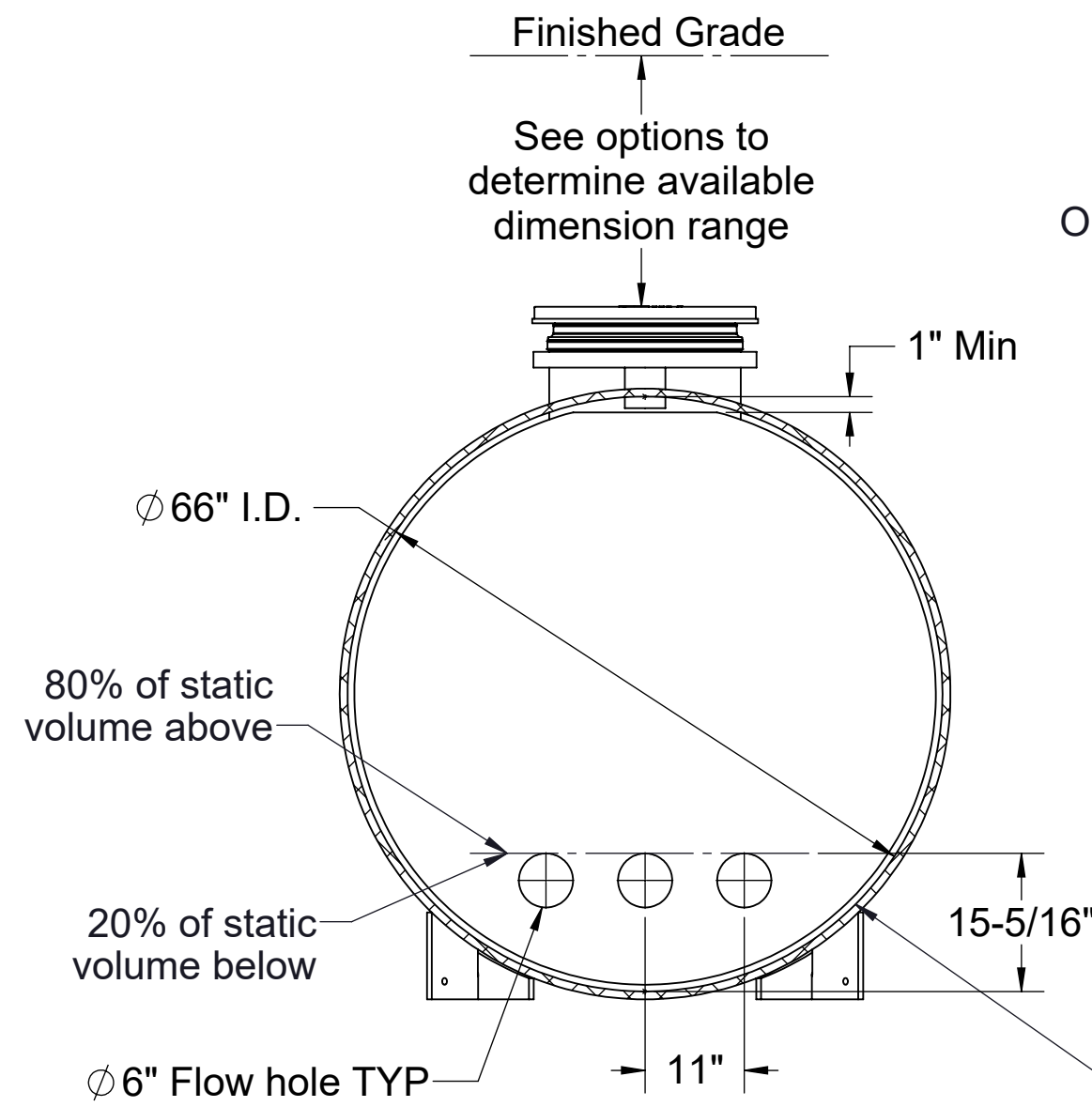
1. For gravity drainage applications only.
2. Do not use for pressure applications.
3. Cover placement allows full access to tank for proper maintenance.
4. Lifting lug set for easy install.

**ENGINEER SPECIFICATION GUIDE**

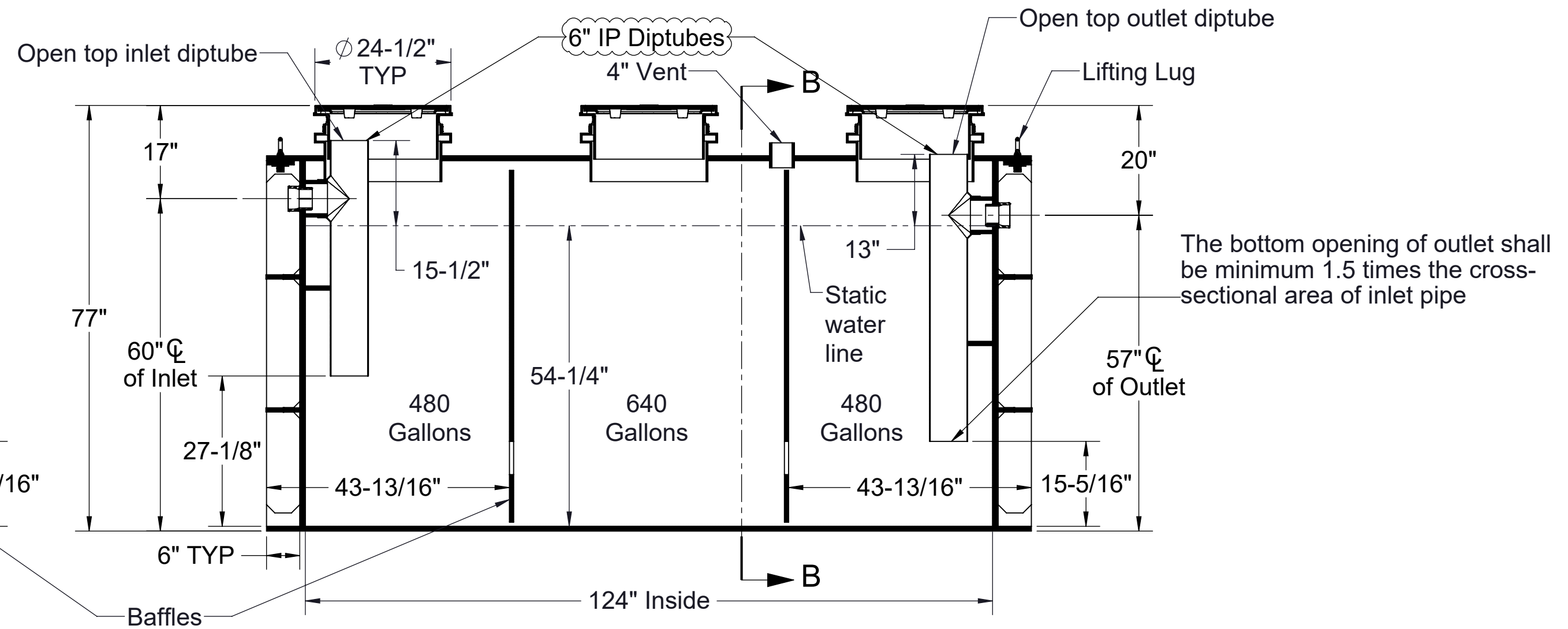
Striem oil separator model OS-1600-WSSC shall be lifetime guaranteed and made in the USA. Separator shall be constructed of polyethylene with 7/8" nominal wall thickness. Separator shall be manufactured for below-grade installation. Field-adjustable riser system is available as an option to bring manhole covers to grade. Separator flow rate shall be 314 GPM. Separator liquid holding capacity shall be 1615 gallons and oil capacity shall be 1231 gallons. Covers shall be H20 rated pickable cast iron.



**TOP VIEW**



**SECTION B-B**



**SECTION A-A**

**OPTIONS**

**Connection Options (4" Only)**

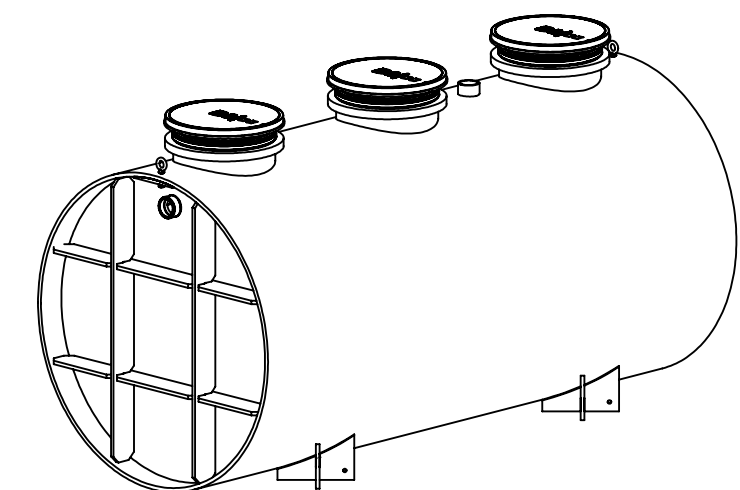
- Inlet / Outlet**
- Plain End
  - Male Thread
- SELECTION REQUIRED**

**Riser Options**

- From Factory: Up to 5"**
- Up to 24": **SR24** (3)
  - Up to 39": **LR24** (3)
  - Up to 43": **SR24** (6)
  - Up to 58": **SR24** (3) + **LR24** (3)
  - Up to 72": **LR24** (6)
  - Up to 90": **SR24** (3) + **LR24** (6)
  - Up to 106": **LR24** (9)

**Additional Options**

- HDK-9:** High Water Table Hold Down Kit



**PO IS NON-CANCELABLE ORDER IS NON-RETURNABLE**

Approved by WSSC

**PROPRIETARY AND CONFIDENTIAL**  
THE INFORMATION CONTAINED IN THIS DRAWING IS THE SOLE PROPERTY OF STRIEM, LLC. ANY REPRODUCTION IN PART OR AS A WHOLE WITHOUT THE WRITTEN PERMISSION OF STRIEM, LLC. IS PROHIBITED.

**MODEL NUMBER:** OS-1600-WSSC

**DESCRIPTION:**  
POLYETHYLENE OIL SEPARATOR  
314 GPM  
1600 GALLON CAPACITY

**DWG BY:** ENG    **DATE:** 7/28/2023    **REV:** 0

**SPECIFICATION SHEET**

Striem  
Kansas City, KS  
Tel: 913-222-1500  
orders@striemco.com  
www.striemco.com

**Made in the U.S.A**

