

SPECIFICATIONS

1. 4" Plain End inlet/outlet shown, 3" Plain End vents standard.
2. Max flow rate: 314 GPM.
3. Liquid capacity: 562 Gallons (75 cu. ft.)
4. Oil capacity: 470 Gallons.
5. Unit weight: 1025 lbs.
6. Maximum operating temperature 140°F continuous.

NOTES

1. For gravity drainage applications only.
2. Do not use for pressure applications.
3. Cover placement allows full access to tank for proper maintenance.
4. Lifting lug set for easy install.

ENGINEER SPECIFICATION GUIDE

Striem oil separator model OS-500-WSSC shall be lifetime guaranteed and made in the USA. Separator shall be constructed of polyethylene with 7/8" nominal wall thickness. Separator shall be manufactured for below-grade installation. Field-adjustable riser system is available as an option to bring manhole covers to grade. Separator flow rate shall be 314 GPM. Separator liquid holding capacity shall be 562 gallons and oil capacity shall be 470 gallons. Covers shall be H20 rated pickable cast iron.

OPTIONS

Connection Options (4" Only)

Inlet / Outlet

- Plain End
- Male Thread

SELECTION
REQUIRED

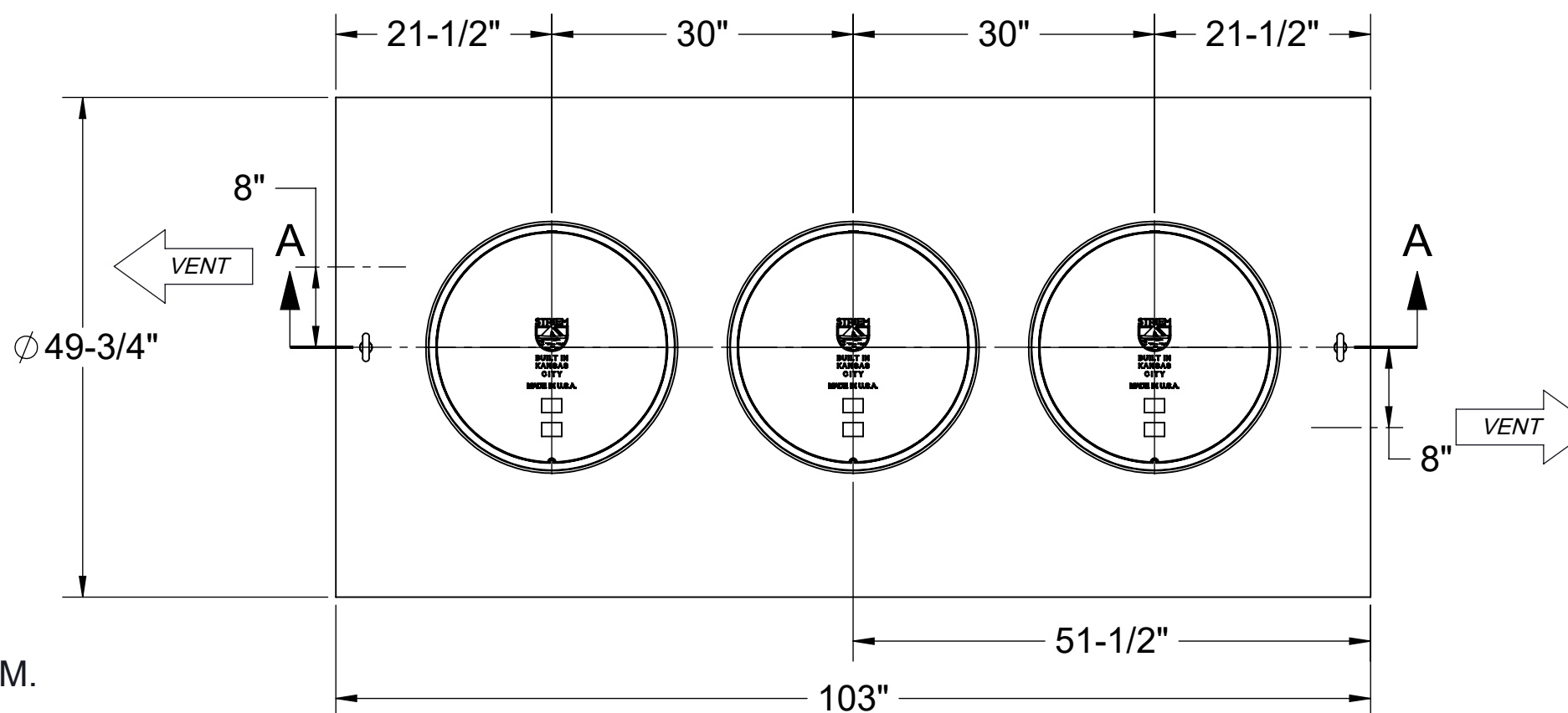
Riser Options

From Factory: Up to 5"

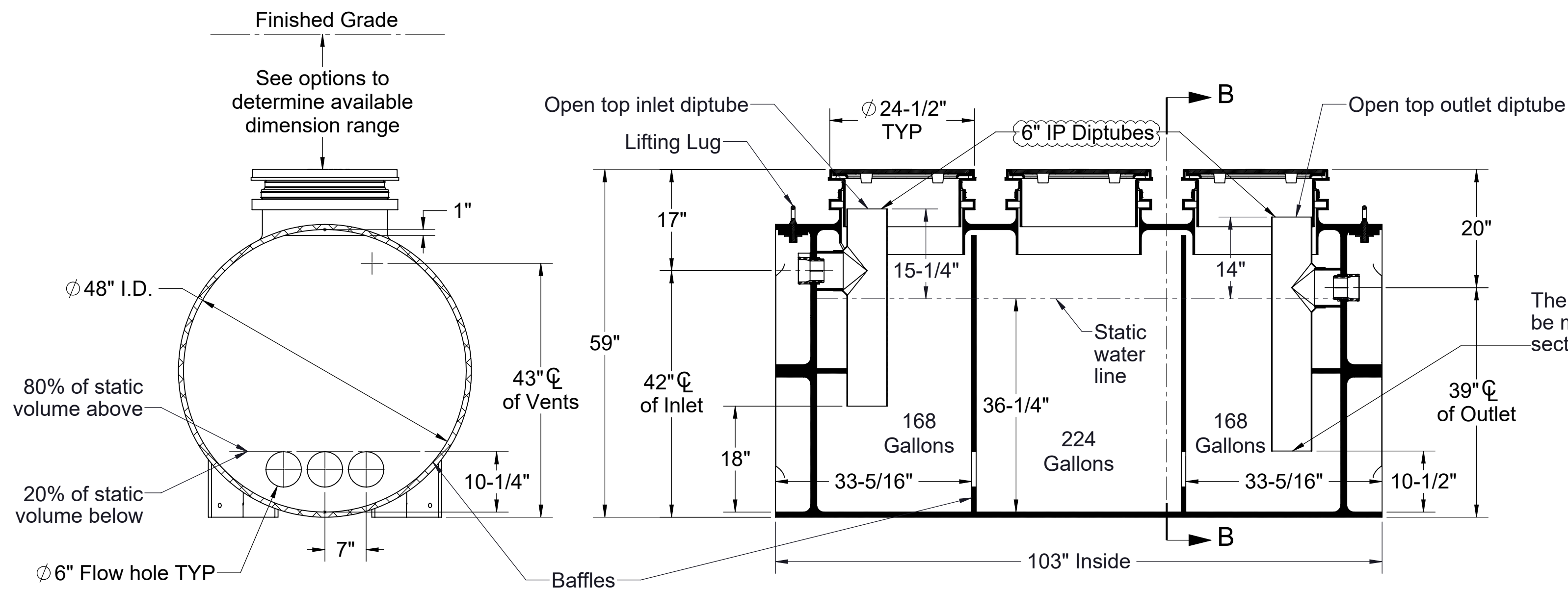
- Up to 24": SR24 (3)
- Up to 39": LR24 (3)
- Up to 43": SR24 (6)
- Up to 58": SR24 (3) + LR24 (3)
- Up to 72": LR24 (6)
- Up to 90": SR24 (3) + LR24 (6)
- Up to 106": LR24 (9)

Additional Options

- HDK-3: High Water Table Hold Down Kit



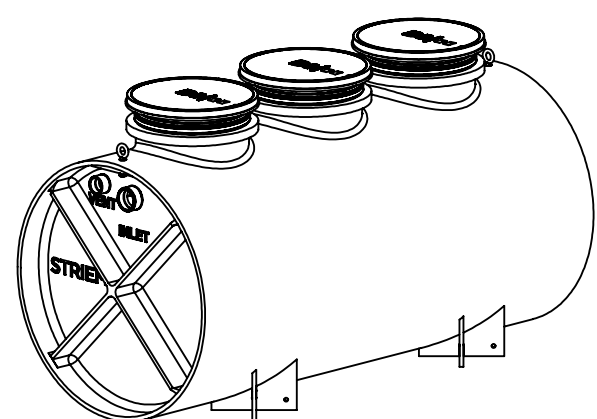
TOP VIEW



The bottom opening of outlet shall be minimum 1.5 times the cross-sectional area of inlet pipe

SECTION B-B

SECTION A-A



PO IS NON-CANCELABLE
ORDER IS NON-RETURNABLE

Approved by WSSC

PROPRIETARY AND CONFIDENTIAL
THE INFORMATION CONTAINED IN THIS DRAWING IS THE SOLE PROPERTY OF STRIEM, LLC.
ANY REPRODUCTION IN PART OR AS A WHOLE WITHOUT THE WRITTEN PERMISSION OF STRIEM, LLC. IS PROHIBITED.

MODEL NUMBER: OS-500-WSSC

DESCRIPTION:
POLYETHYLENE OIL SEPARATOR
314 GPM
562 GALLON CAPACITY

DWG BY: ENG **DATE:** 7/28/2023 **REV:** 0

SPECIFICATION SHEET

Striem
Kansas City, KS
Tel: 913-222-1500
orders@striemco.com
www.striemco.com

Made in the U.S.A

