

SPECIFICATIONS

1. 4" Plain end inlet/outlet.
2. Polyethylene construction.
3. Unit supplied with built-in adapter for up to 2" of adjustability. Additional riser(s) are also available for deeper burial depth.
4. Weight = 65 pounds
5. Highway rated (16,000 lb. load) bolted, gas/water tight composite cover.
6. Maximum operating temperature 140 F.

ENGINEER'S SPECIFICATION GUIDE

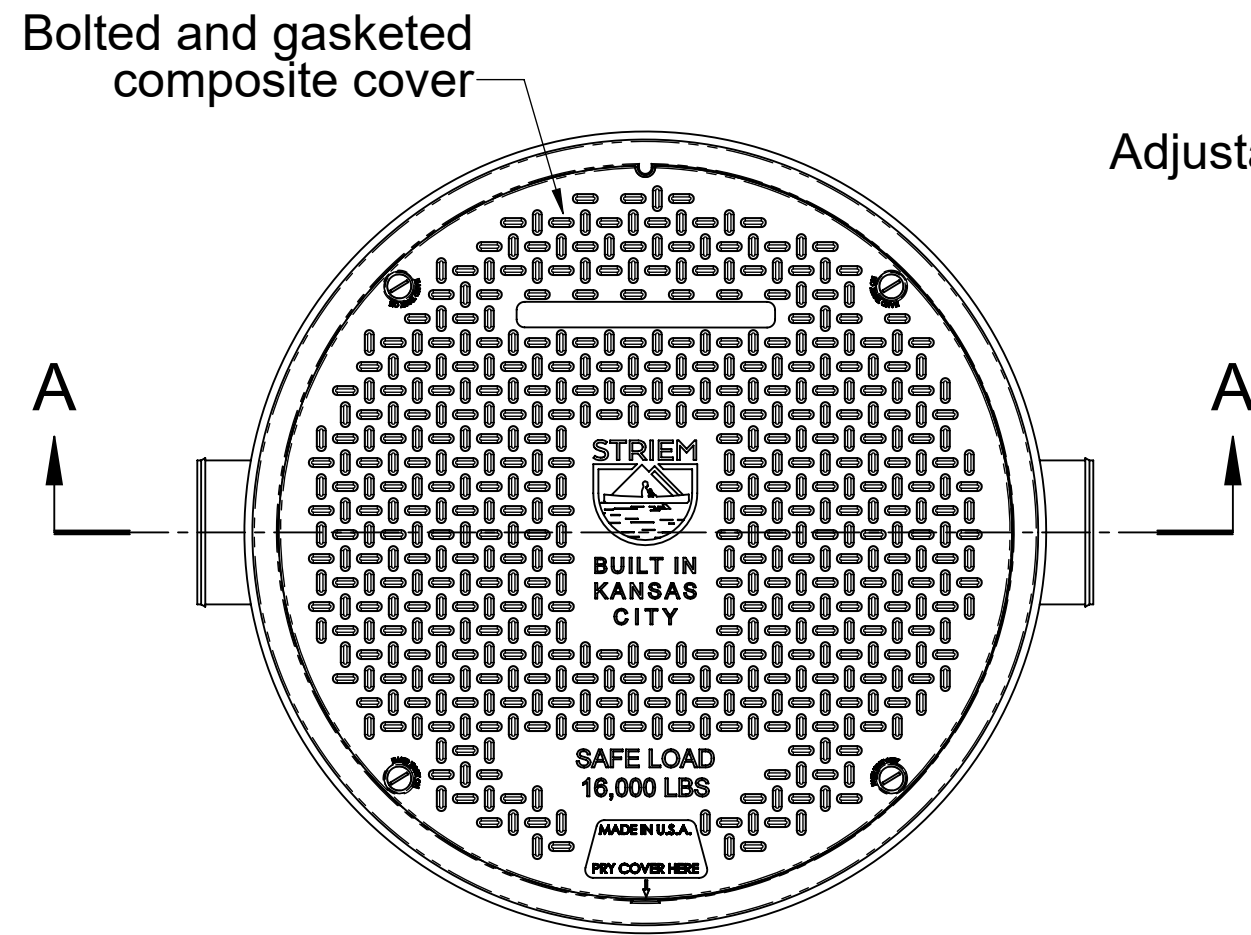
Inspector™ sampling port model INSPECTOR-4 shall be manufactured by Striem, LLC. Sampling port shall be lifetime guaranteed and Made in USA of seamless, rotationally molded Polyethylene.

OPTIONS

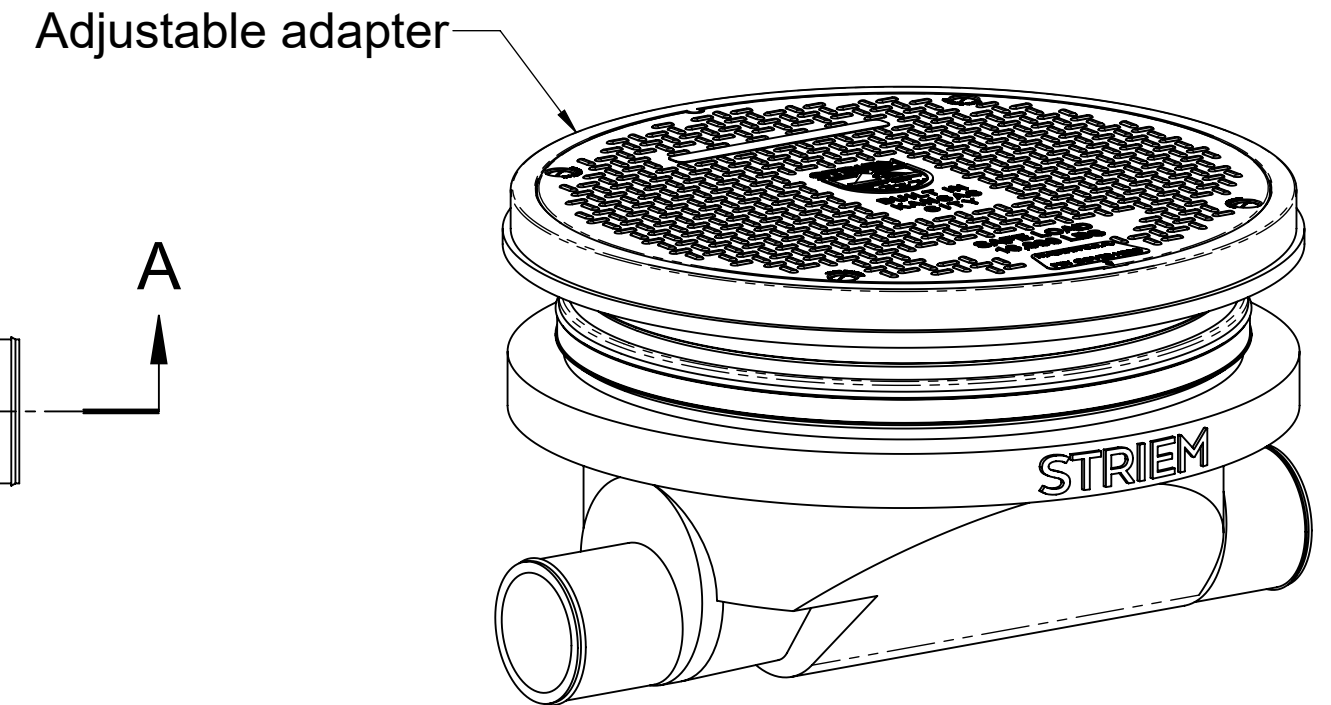
- C24-M** - Pedestrian rated cover (2,000 lbs.)
- C24-HP** - Pickable Cast Iron Heavy Duty Cover (H20 Rated)

TeleGlide RISER OPTIONS

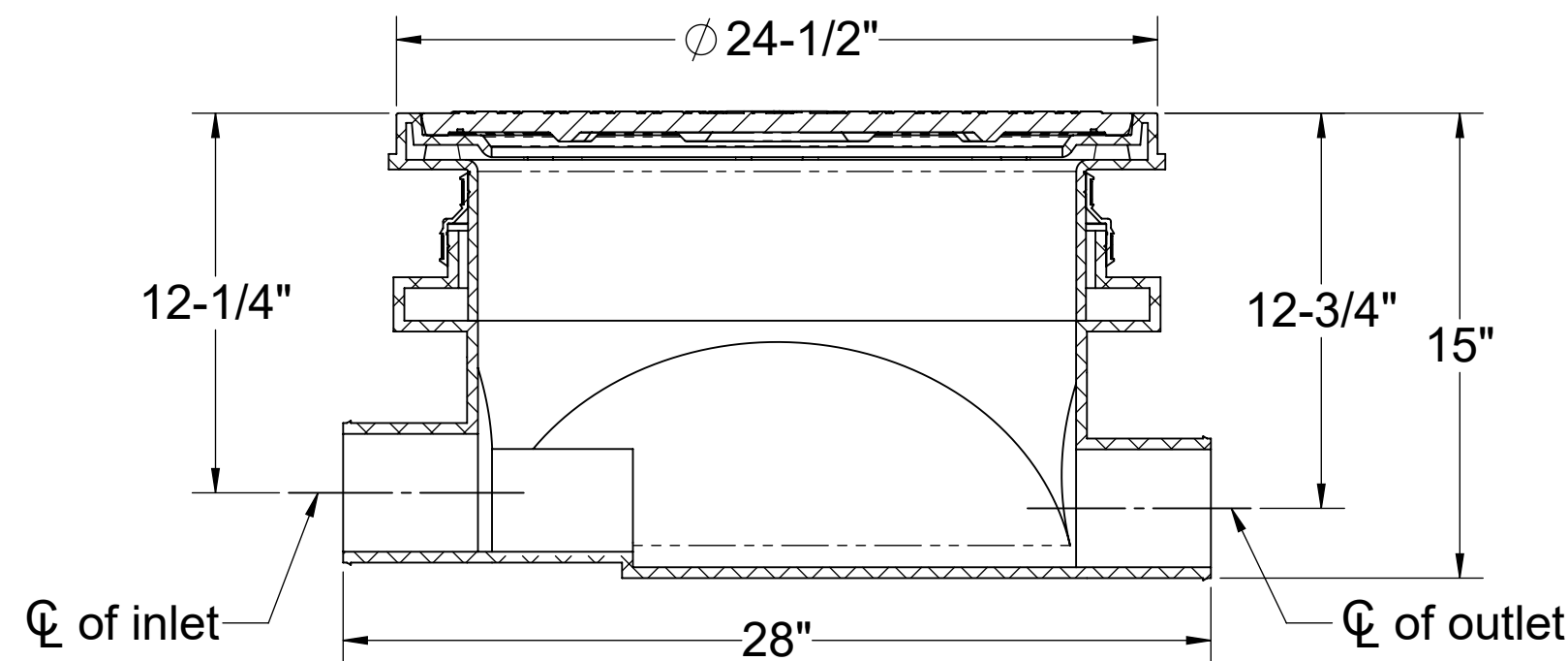
- Included : 0" - 2"**
- SR24 (1)** : >2" - 21"
- LR24 (1)** : >21" - 36"
- SR24 (2)** : >36" - 40"
- SR24 (1) + LR24 (1)** : >40" - 55"
- LR24 (2)** : >55" - 69"
- SR24 (2) + LR24 (1)** : >69" - 87"
- LR24 (3)** : >87" - 103"
- OR -**
- CPRK** : >11" - 103"
 - Corrugated Pipe Riser Kit.
 - 18" diameter corrugated pipe by others.
 - See CPRK specification for more detail.



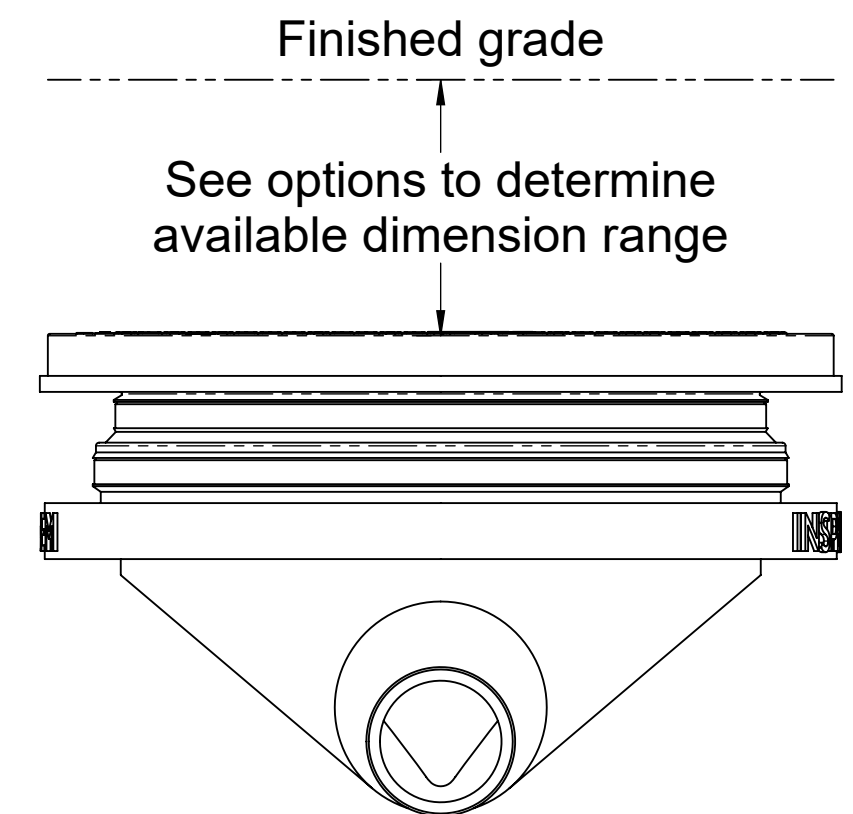
TOP VIEW



ISOMETRIC VIEW



SECTION A-A



OUTLET END VIEW

MODEL NUMBER: INSPECTOR-4			
DESCRIPTION: POLYETHYLENE WASTEWATER SAMPLING PORT			
DWG BY: RS	DATE: 5/24/21	REV: 0	ECO:

SPECIFICATION SHEET

Striem
3100 Brinkerhoff
Kansas City, KS 66115
Tel: 913-222-1500
orders@striemco.com
www.striemco.com

Made in the U.S.A

PROPRIETARY AND CONFIDENTIAL

THE INFORMATION CONTAINED IN THIS DRAWING IS THE SOLE PROPERTY OF STRIEM, LLC. ANY REPRODUCTION IN PART OR AS A WHOLE WITHOUT THE WRITTEN PERMISSION OF STRIEM, LLC. IS PROHIBITED.