

**SPECIFICATIONS**

1. 6" Plain end inlet/outlet.
2. Polyethylene construction.
3. Unit supplied with built-in adapter for up to 2" of adjustability. Additional riser(s) are also available for deeper burial depth.
4. Weight = 65 pounds
5. Highway rated (16,000 lb. load) bolted, gas/water tight composite cover.
6. Maximum operating temperature 140 F.

**ENGINEER'S SPECIFICATION GUIDE**

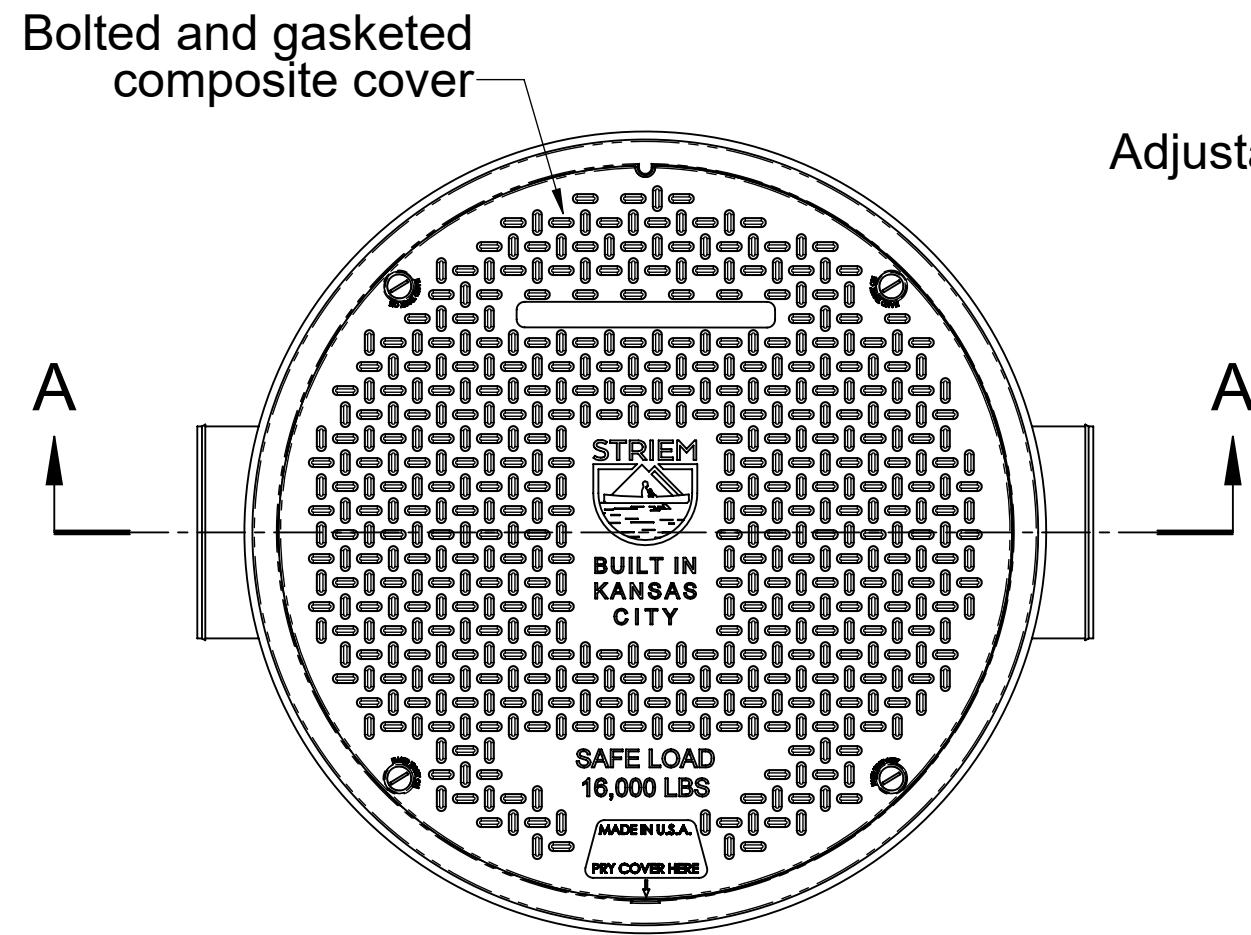
Inspector™ sampling port model INSPECTOR-6 shall be manufactured by Striem, LLC. Sampling port shall be lifetime guaranteed and Made in USA of seamless, rotationally molded Polyethylene.

**OPTIONS**

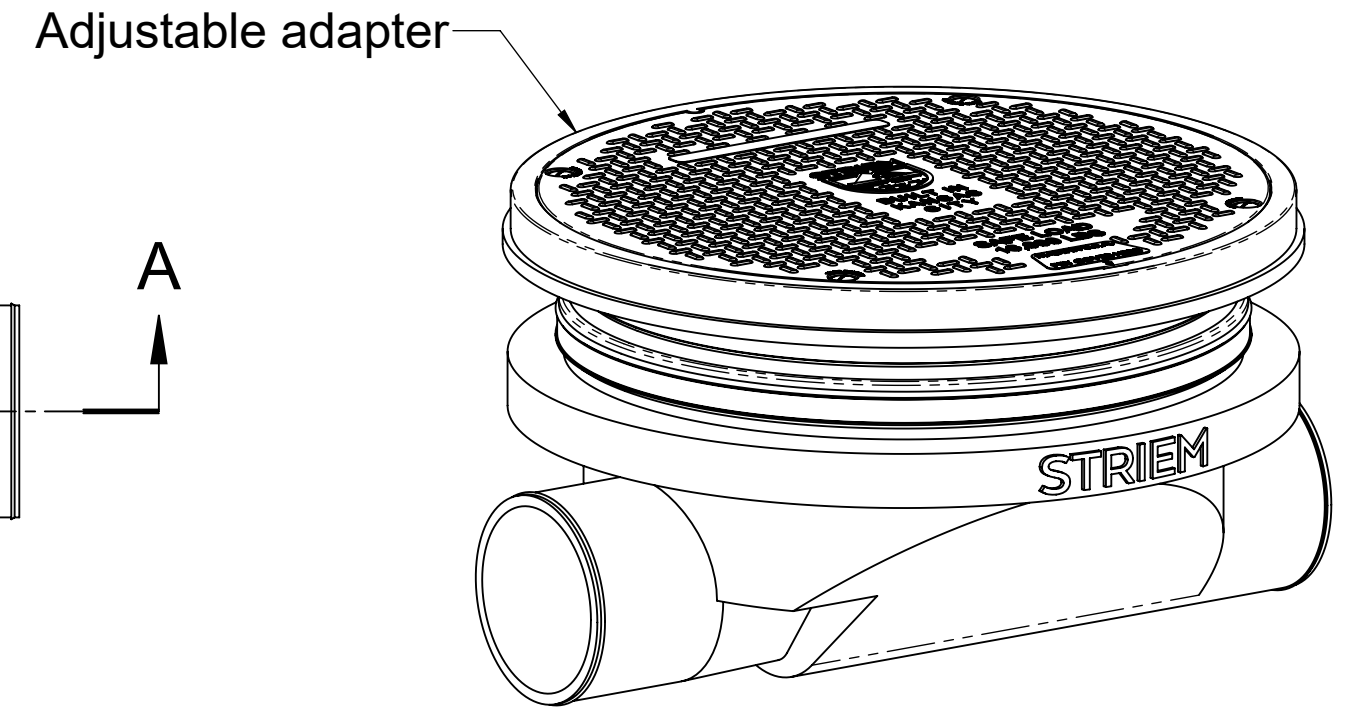
- C24-M** - Pedestrian rated cover (2,000 lbs.)
- C24-HP** - Pickable Cast Iron Heavy Duty Cover (H20 Rated)

**TeleGlide RISER OPTIONS**

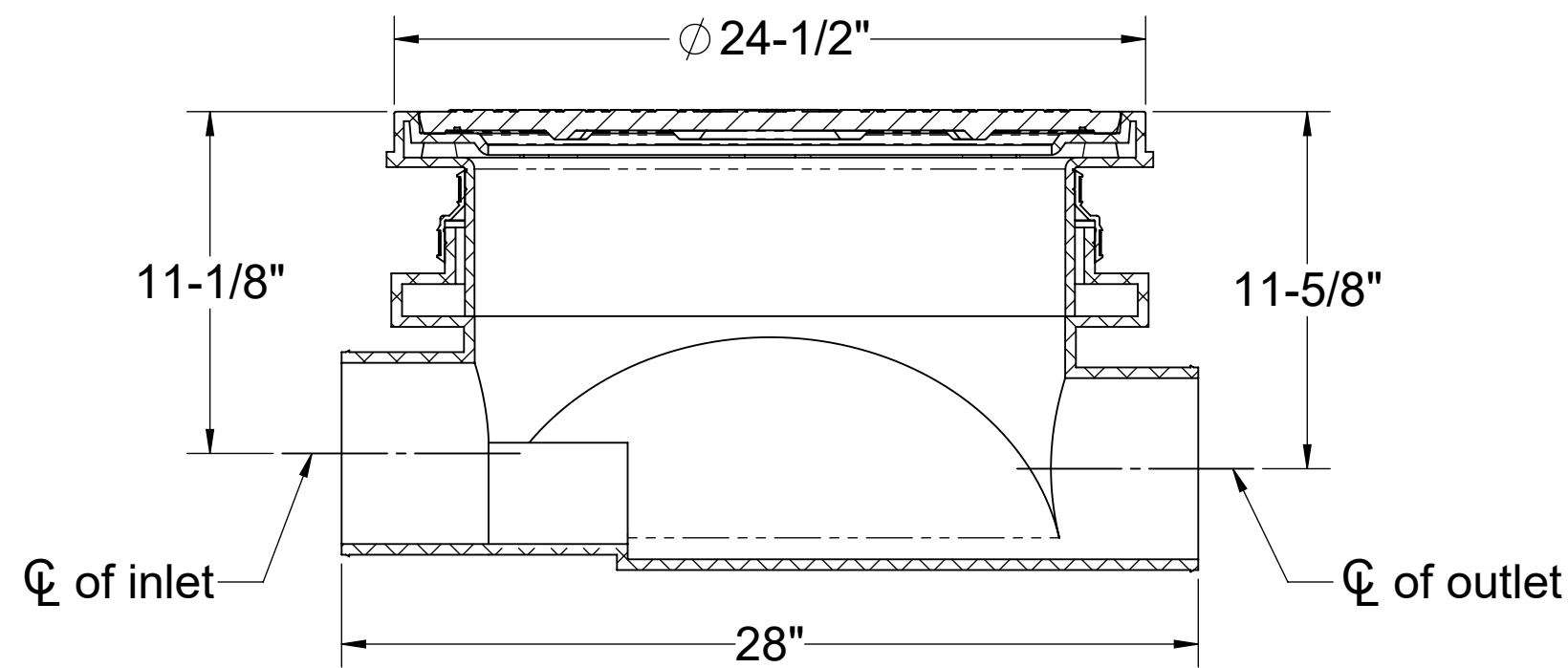
- Included : 0" - 2"**
- SR24 (1)** : >2" - 21"
- LR24 (1)** : >21" - 36"
- SR24 (2)** : >36" - 40"
- SR24 (1) + LR24 (1)** : >40" - 55"
- LR24 (2)** : >55" - 69"
- SR24 (2) + LR24 (1)** : >69" - 87"
- LR24 (3)** : >87" - 103"
- OR -**
- CPRK** : >11" - 103"
  - Corrugated Pipe Riser Kit.
  - 18" diameter corrugated pipe by others.
  - See CPRK specification for more detail.



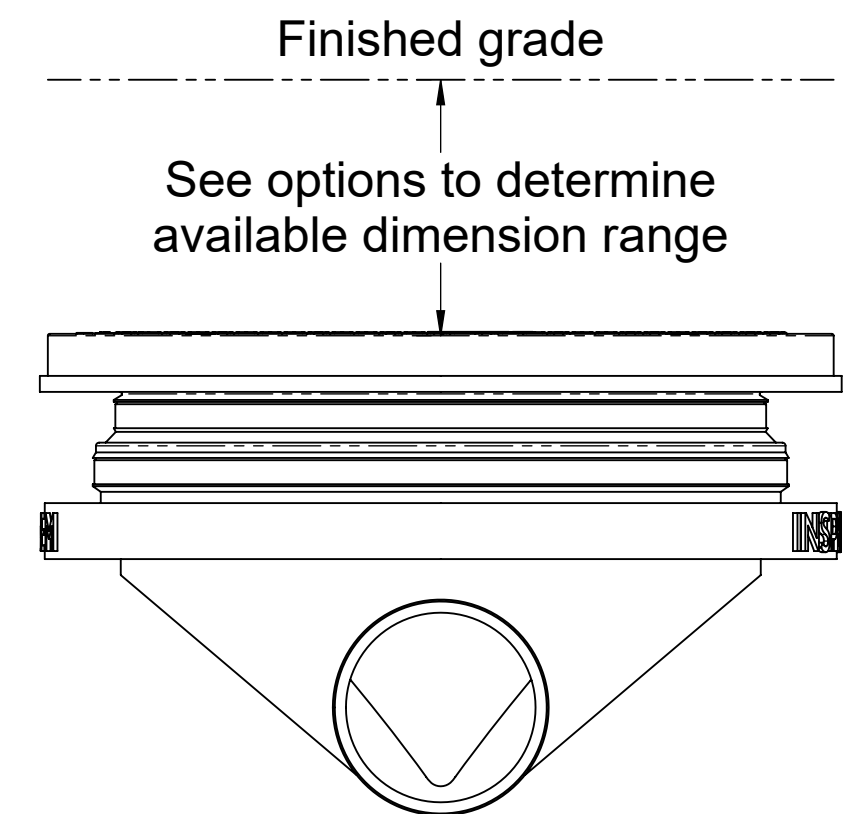
**TOP VIEW**



**ISOMETRIC VIEW**



**SECTION A-A**



**OUTLET END VIEW**

<b>MODEL NUMBER:</b> INSPECTOR-6			
<b>DESCRIPTION:</b>  POLYETHYLENE WASTEWATER SAMPLING PORT			
<b>DWG BY:</b> RS	<b>DATE:</b> 5/54/21	<b>REV:</b> 0	<b>ECO:</b>

**SPECIFICATION SHEET**

**Striem**  
3100 Brinkerhoff  
Kansas City, KS 66115  
Tel: 913-222-1500  
orders@striemco.com  
www.striemco.com

**Made in the U.S.A**

PROPRIETARY AND CONFIDENTIAL

THE INFORMATION CONTAINED IN THIS DRAWING IS THE SOLE PROPERTY OF STRIEM, LLC. ANY REPRODUCTION IN PART OR AS A WHOLE WITHOUT THE WRITTEN PERMISSION OF STRIEM, LLC. IS PROHIBITED.