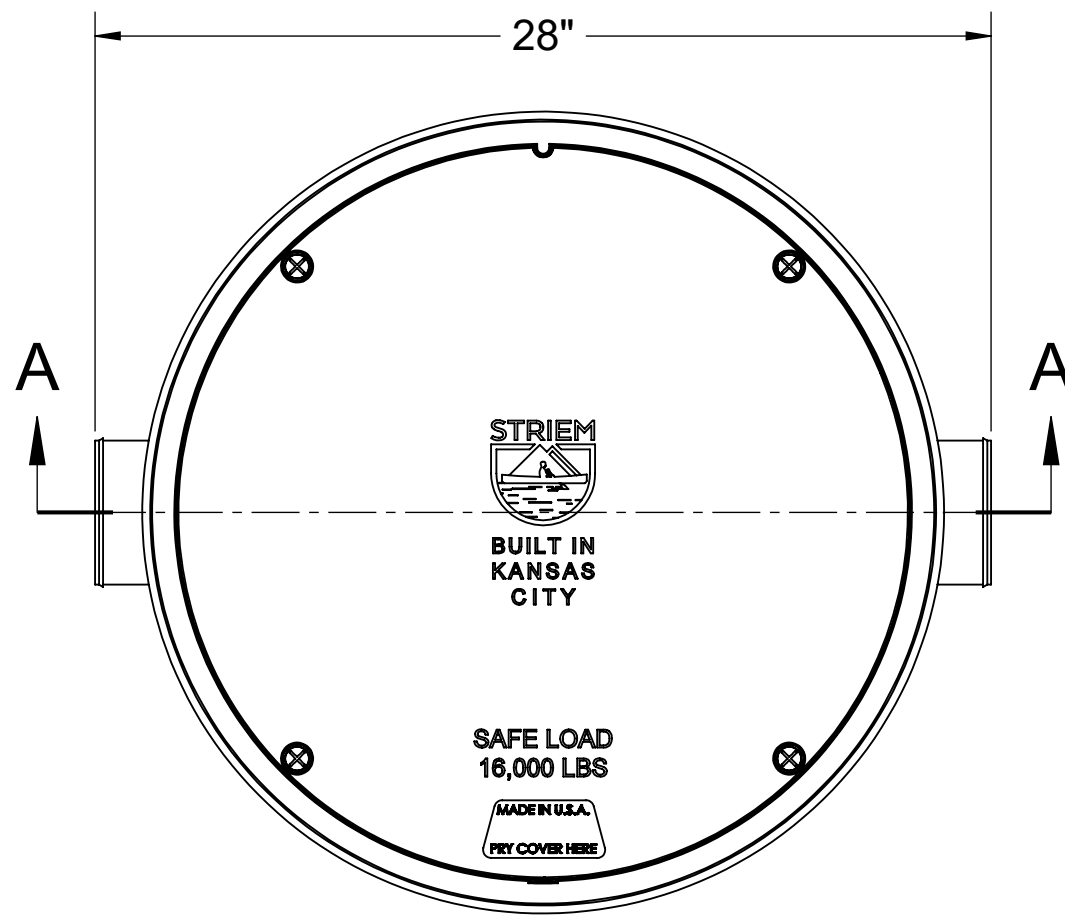


SPECIFICATIONS

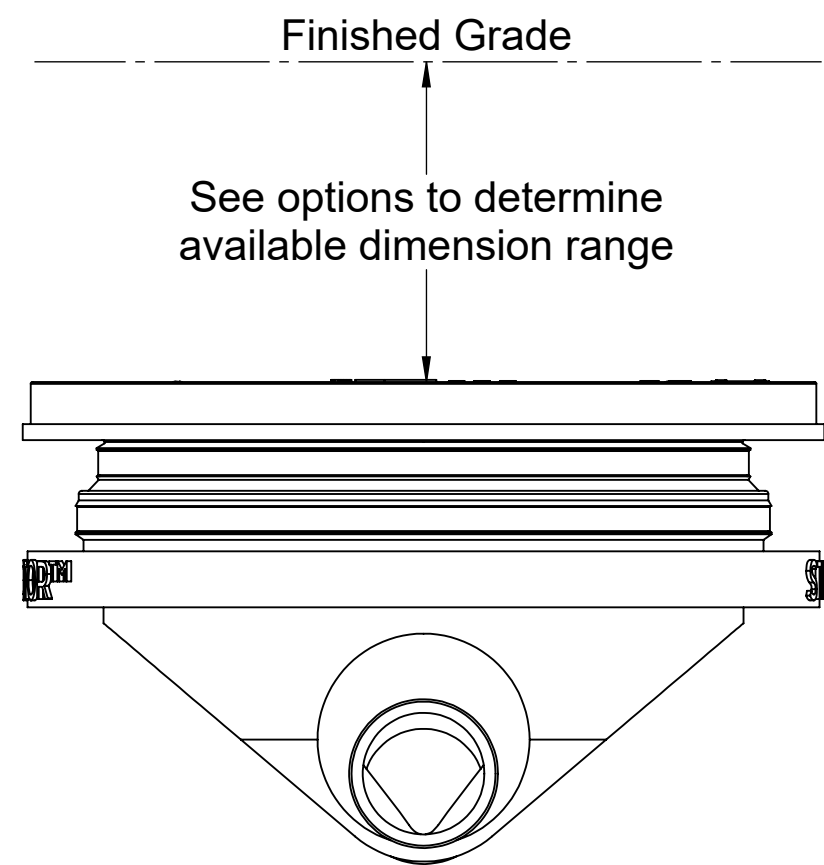
1. 4" Plain End inlet/outlet, C24-H cover standard.
2. Weight w/ standard cover: 65 lbs.; w/ cast iron cover: 125 lbs.
3. Maximum operating temperature 140°F continuous.

ENGINEER'S SPECIFICATION GUIDE

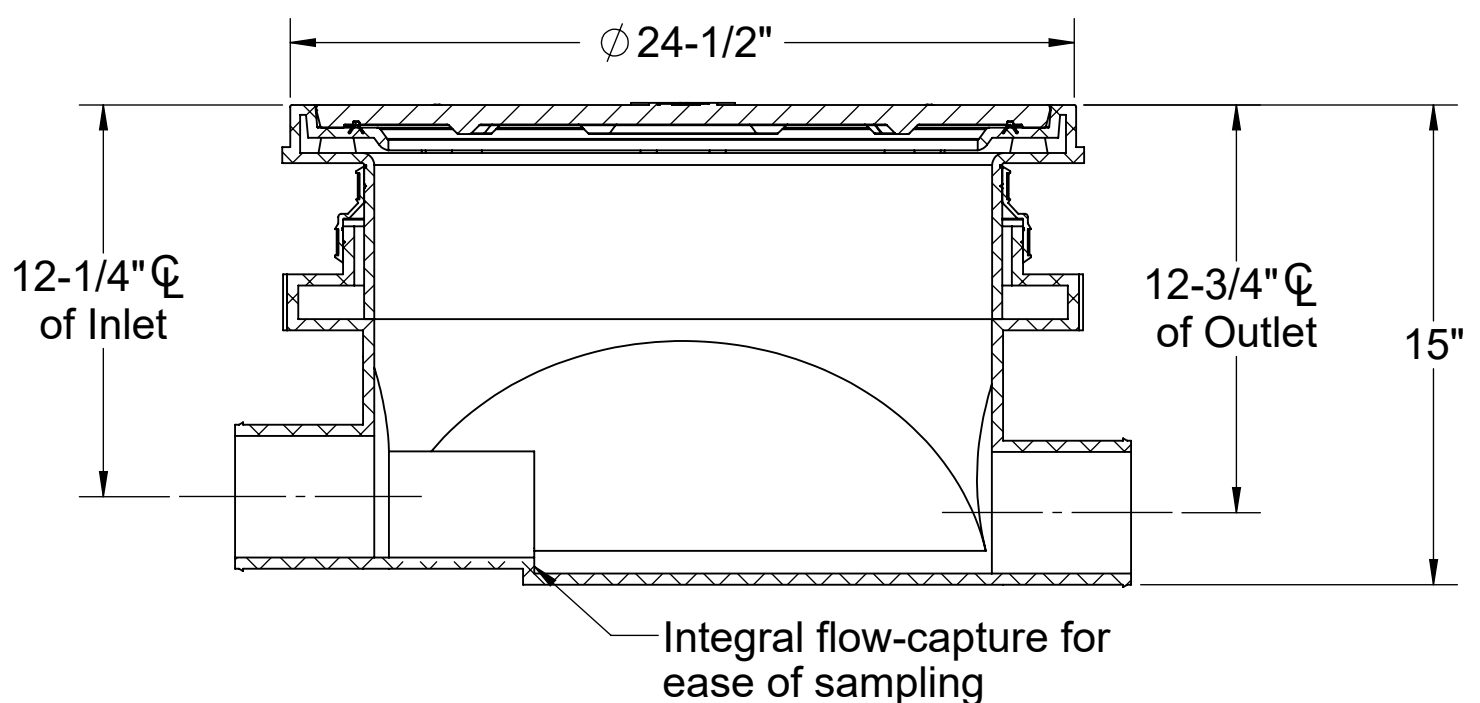
Striem sampling port model INSPECTOR-4 shall be lifetime guaranteed and made in the USA. Sampling port shall be constructed of polyethylene. Sampling port shall be manufactured for above- or below-grade installation. Sampling port shall provide integral flow-capture feature for ease of sampling. Field-adjustable riser system is available as an option to bring manhole cover to grade. Cover shall provide water/gas-tight seal and have a maximum 16,000 lbs. load capacity.



TOP VIEW



END VIEW



SECTION A-A



OPTIONS

Riser Options

From Factory: Up to 5"

- Up to 24": **SR24**
- Up to 39": **LR24**
- Up to 43": **SR24 (2)**
- Up to 58": **SR24 + LR24**
- Up to 72": **LR24 (2)**
- Up to 90": **SR24 + LR24 (2)**
- Up to 106": **LR24 (3)**

- OR -

- CPRK:** 11" - 106" (See specification for more detail.)

Additional Options

- C24-HP:** H2O Rated Pickable Cast Iron Cover

MODEL NUMBER:	INSPECTOR-4
DESCRIPTION:	POLYETHYLENE WASTEWATER SAMPLING PORT
DWG BY: ENG	DATE: 4/17/2023
REV: 1	

SPECIFICATION SHEET

Striem
 Kansas City, KS
 Tel: 913-222-1500
 orders@striemco.com
 www.striemco.com

Made in the U.S.A



PROPRIETARY AND CONFIDENTIAL
 THE INFORMATION CONTAINED IN THIS DRAWING IS THE SOLE PROPERTY OF STRIEM, LLC.
 ANY REPRODUCTION IN PART OR AS A WHOLE WITHOUT THE WRITTEN PERMISSION OF STRIEM, LLC. IS PROHIBITED.