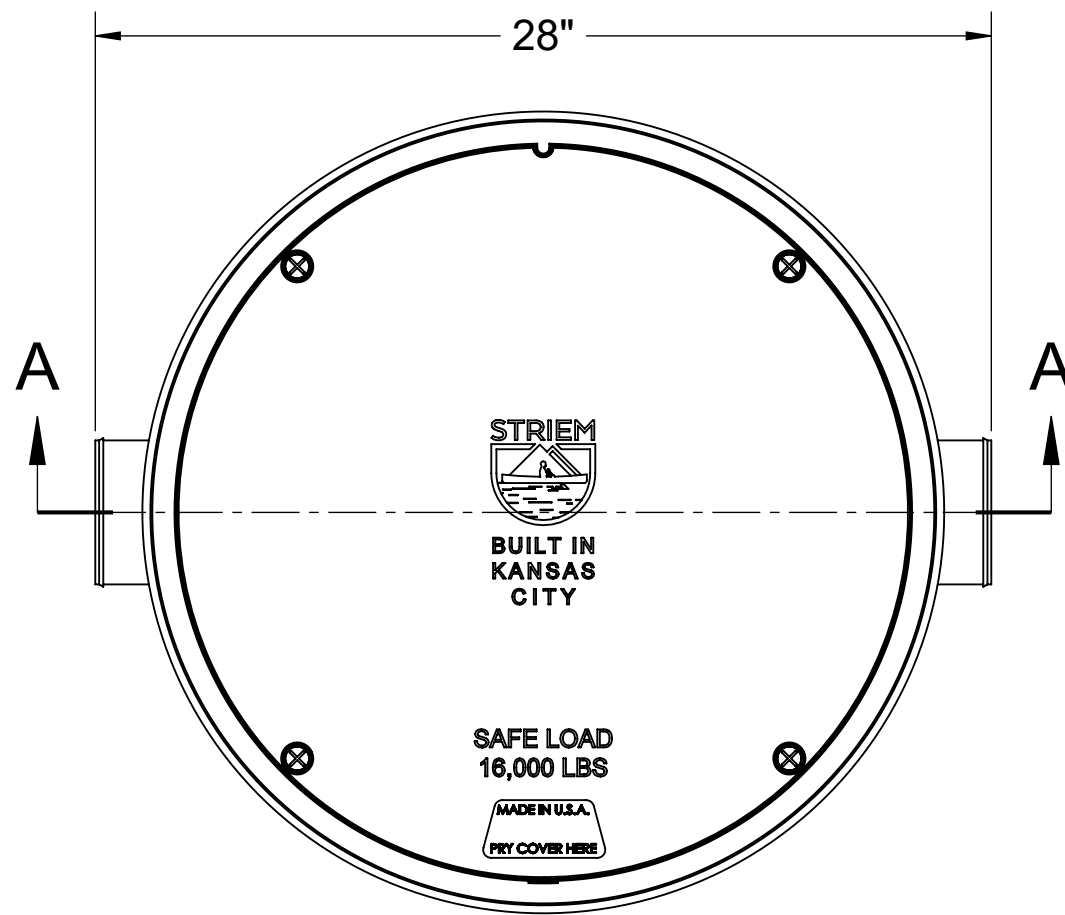


**SPECIFICATIONS**

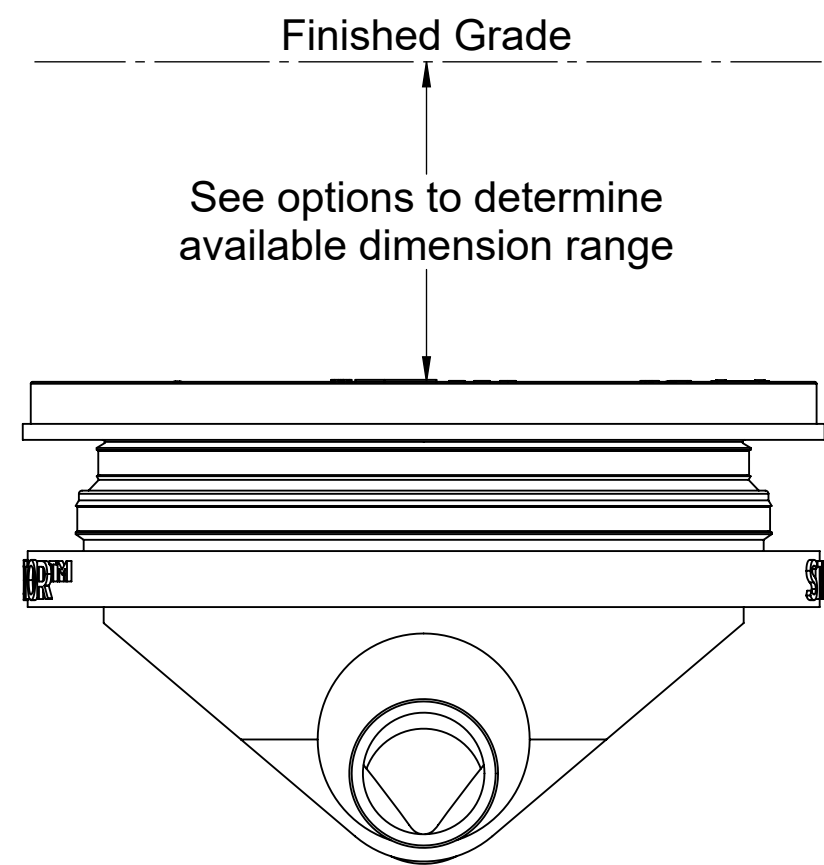
1. 4" Plain End inlet/outlet, C24-H cover standard.
2. Weight w/ standard cover: 45 lbs.; w/ cast iron cover: 105 lbs.
3. Maximum operating temperature 140°F continuous.

**ENGINEER'S SPECIFICATION GUIDE**

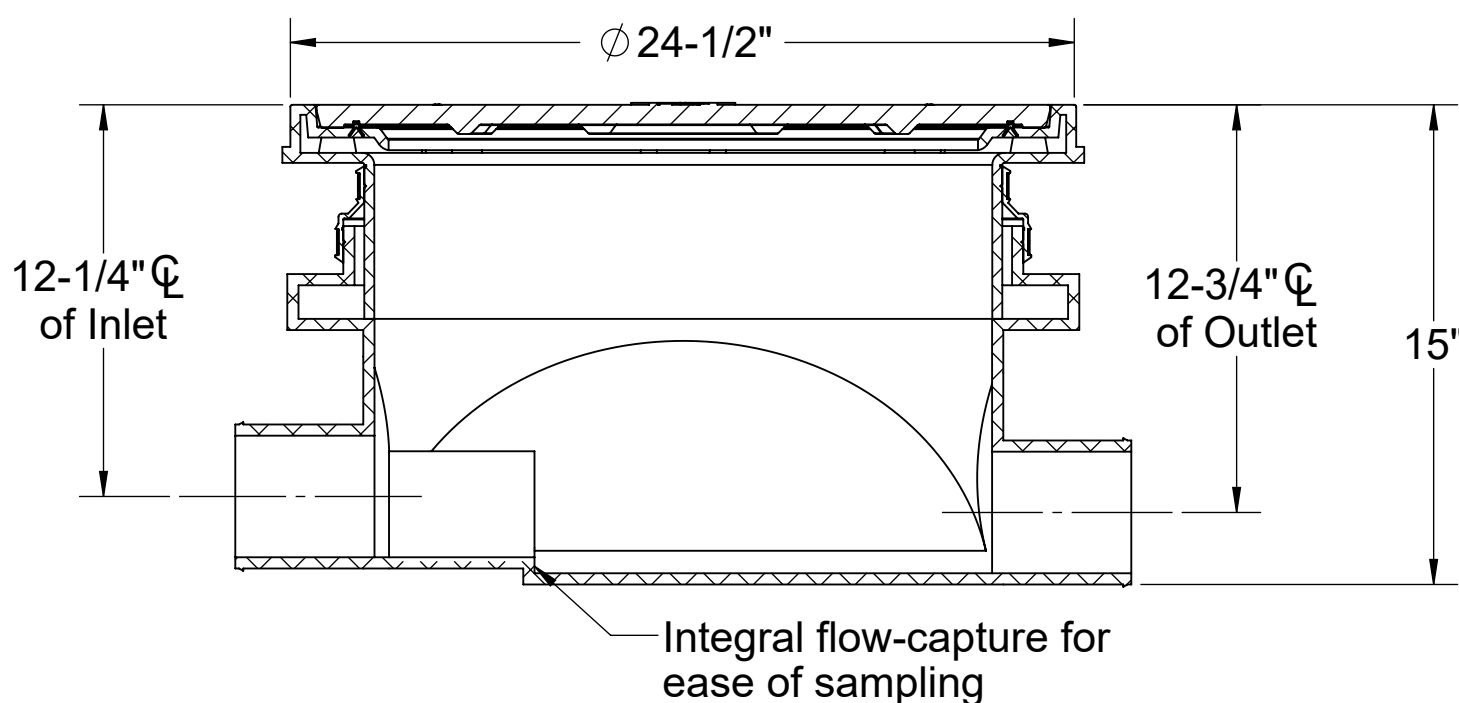
Striem sampling port model INSPECTOR-4 shall be lifetime guaranteed and made in the USA. Sampling port shall be constructed of polyethylene. Sampling port shall be manufactured for above- or below-grade installation. Sampling port shall provide integral flow-capture feature for ease of sampling. Field-adjustable riser system is available as an option to bring manhole cover to grade. Cover shall provide water/gas-tight seal and have a maximum 16,000 lbs. load capacity.



**TOP VIEW**



**END VIEW**



**SECTION A-A**

**OPTIONS**

**Riser Options**

**From Factory:** Up to 5"

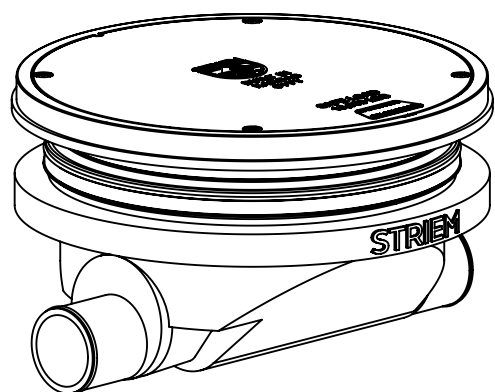
- Up to 24": **SR24**
- Up to 39": **LR24**
- Up to 43": **SR24 (2)**
- Up to 58": **SR24 + LR24**
- Up to 72": **LR24 (2)**
- Up to 90": **SR24 + LR24 (2)**
- Up to 106": **LR24 (3)**

**- OR -**

- CPRK:** 11" - 106" (See specification for more detail.)

**Additional Options**

- C24-HP:** H2O Rated Pickable Cast Iron Cover



**PROPRIETARY AND CONFIDENTIAL**  
 THE INFORMATION CONTAINED IN THIS DRAWING IS THE SOLE PROPERTY OF STRIEM, LLC.  
 ANY REPRODUCTION IN PART OR AS A WHOLE WITHOUT THE WRITTEN PERMISSION OF STRIEM, LLC. IS PROHIBITED.

<b>MODEL NUMBER:</b>	INSPECTOR-4
<b>DESCRIPTION:</b>	POLYETHYLENE WASTEWATER SAMPLING PORT
<b>DWG BY:</b> ENG	<b>DATE:</b> 9/20/2024
<b>REV:</b> 1	

**SPECIFICATION SHEET**

Striem  
 Kansas City, KS  
 Tel: 913-222-1500  
 orders@striemco.com  
 www.striemco.com

Made in the U.S.A