

SPECIFICATIONS

1. 6" Plain end inlet/outlet.
2. Polyethylene construction.
3. Unit supplied with built-in adapter for up to 5" of adjustability. Additional riser(s) are also available for deeper burial depth.
4. Weight: 65 lbs.
5. Highway rated (16,000 lb. load) bolted, gas/water tight composite cover.
6. Maximum operating temperature 140 F.

ENGINEER'S SPECIFICATION GUIDE

Inspector™ sampling port model INSPECTOR-6 shall be manufactured by Striem, LLC. Sampling port shall be lifetime guaranteed and Made in USA of seamless, rotationally molded Polyethylene.

OPTIONS

- C24-M** - Pedestrian rated cover (2,000 lbs.)
- C24-HP** - Pickable Cast Iron Heavy Duty Cover (H2O Rated)

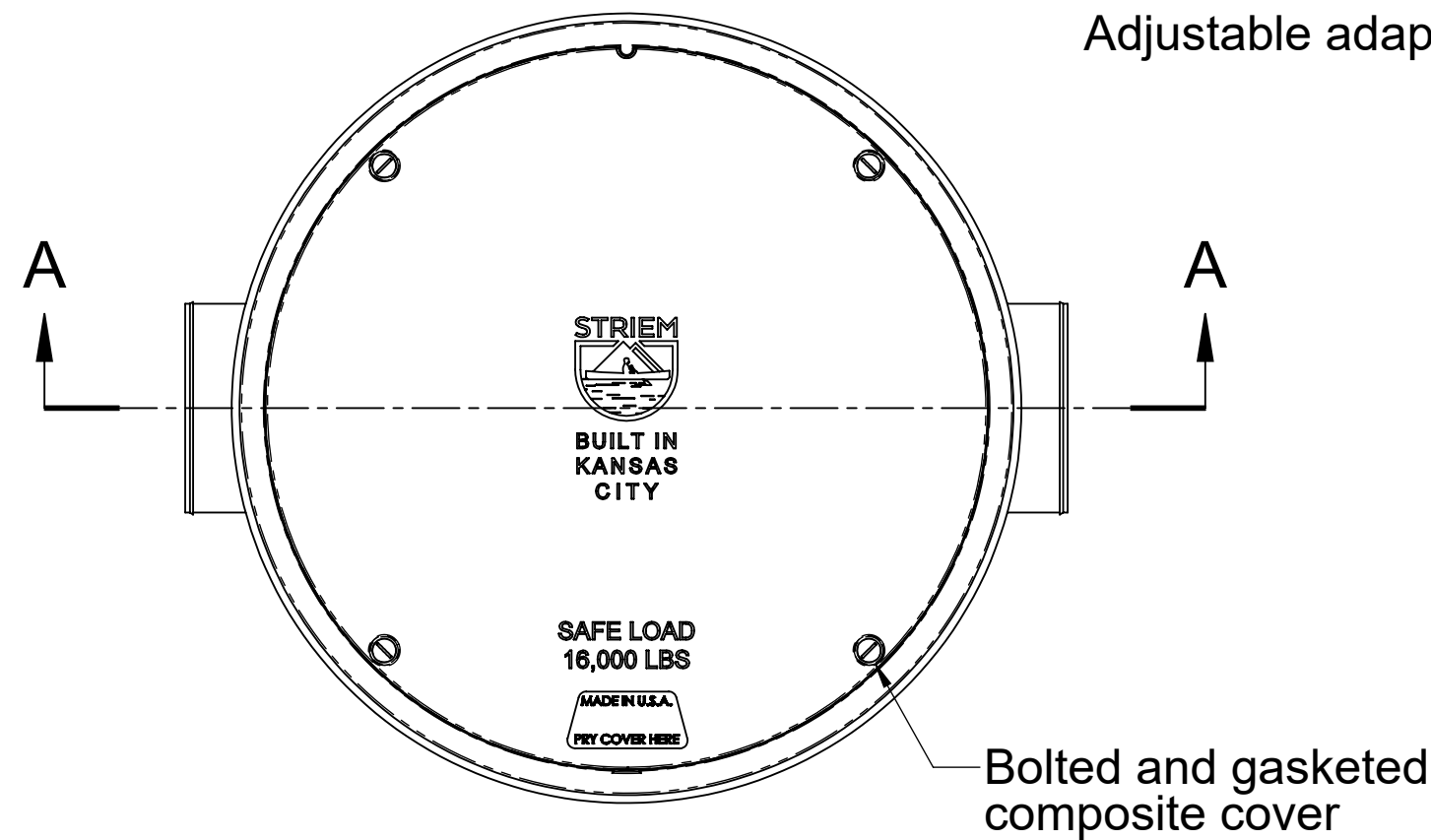
TeleGlide RISER OPTIONS

Included: 0" - 5"

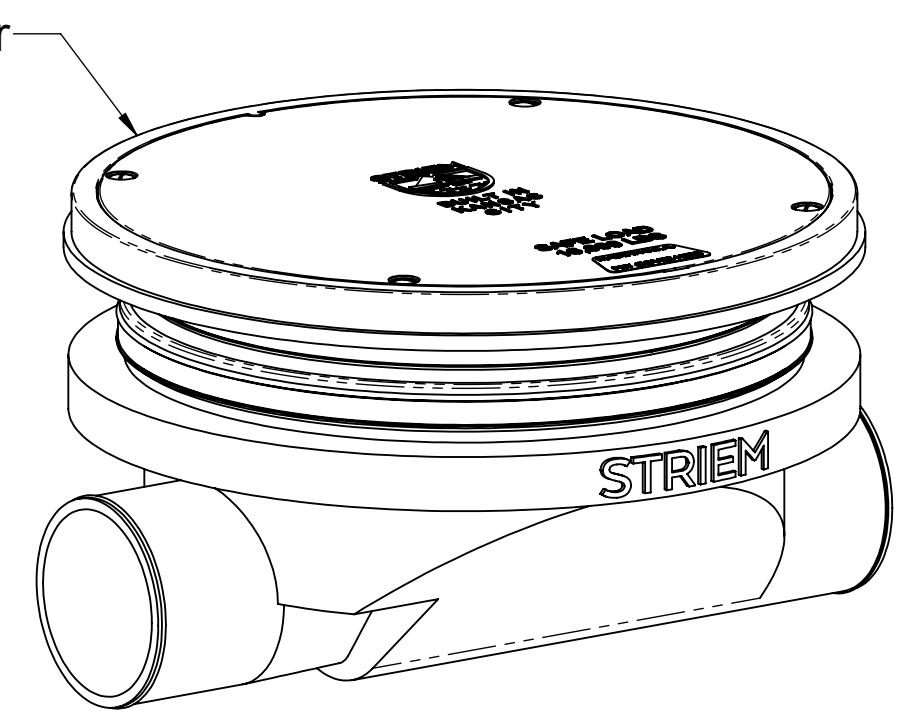
- SR24**: 5" - 24"
- LR24**: 24" - 39"
- SR24 (2)**: 39" - 43"
- SR24 + LR24**: 43" - 58"
- LR24 (2)**: 58" - 72"
- SR24 (2) + LR24**: 72" - 90"
- LR24 (3)**: 90" - 106"

- OR -

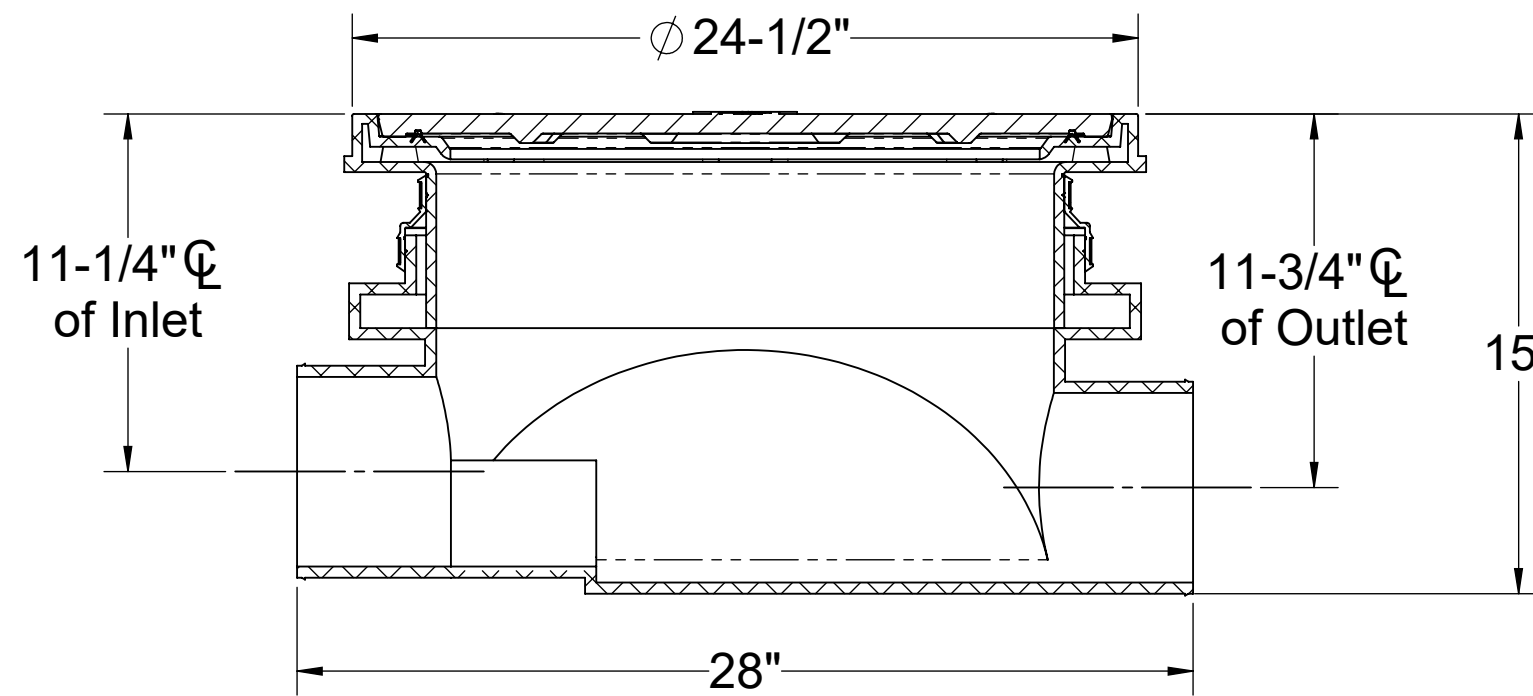
- CPRK**: 11" - 106"
 - Corrugated Pipe Riser Kit.
 - 18" diameter corrugated pipe by others.
 - See CPRK specification for more detail.



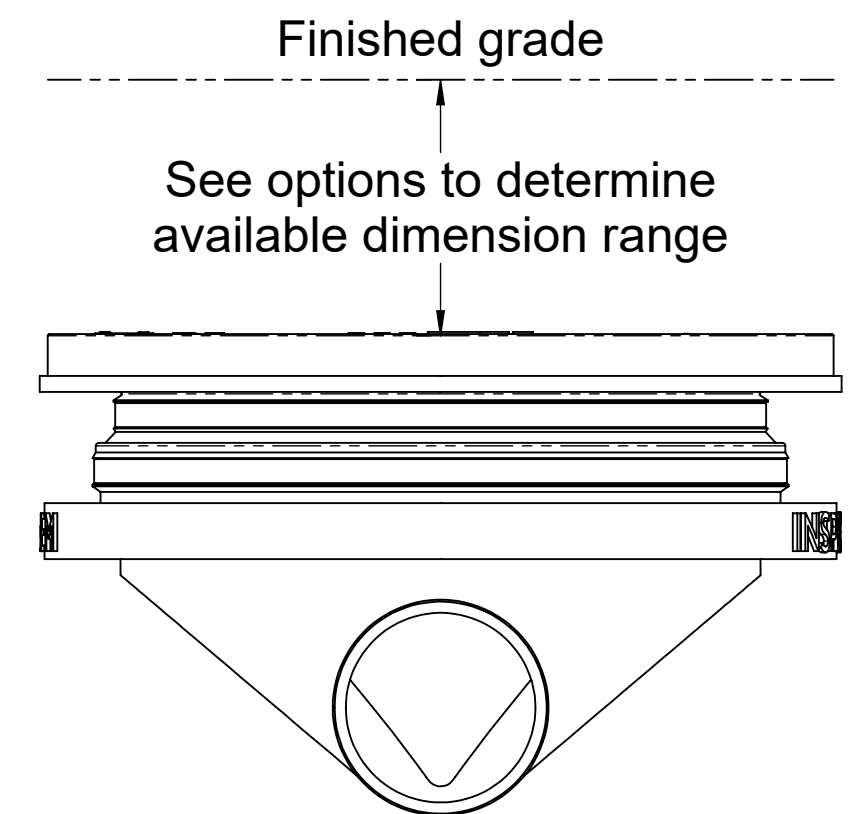
TOP VIEW



ISOMETRIC VIEW



SECTION A-A



OUTLET END VIEW

MODEL NUMBER: INSPECTOR-6			
DESCRIPTION: POLYETHYLENE WASTEWATER SAMPLING PORT			
DWG BY: WLF	DATE: 4/29/22	REV: 1	ECO:

SPECIFICATION SHEET

Striem
3100 Brinkerhoff
Kansas City, KS 66115
Tel: 913-222-1500
orders@striemco.com
www.striemco.com



Made in the U.S.A

PROPRIETARY AND CONFIDENTIAL

THE INFORMATION CONTAINED IN THIS DRAWING IS THE SOLE PROPERTY OF STRIEM, LLC. ANY REPRODUCTION IN PART OR AS A WHOLE WITHOUT THE WRITTEN PERMISSION OF STRIEM, LLC. IS PROHIBITED.