

**EXCAVATION**

1. Install unit(s) as close as possible to fixtures being serviced.
2. Width and length of excavation shall be minimum 12" greater than the tank on all sides.
3. Depth of excavation shall be 6" deeper than tank bottom.
4. Set the tank in well-packed crushed aggregate material approximately 3/4" size rock, or sand, with no fines.

**UNIT INSTALLATION**

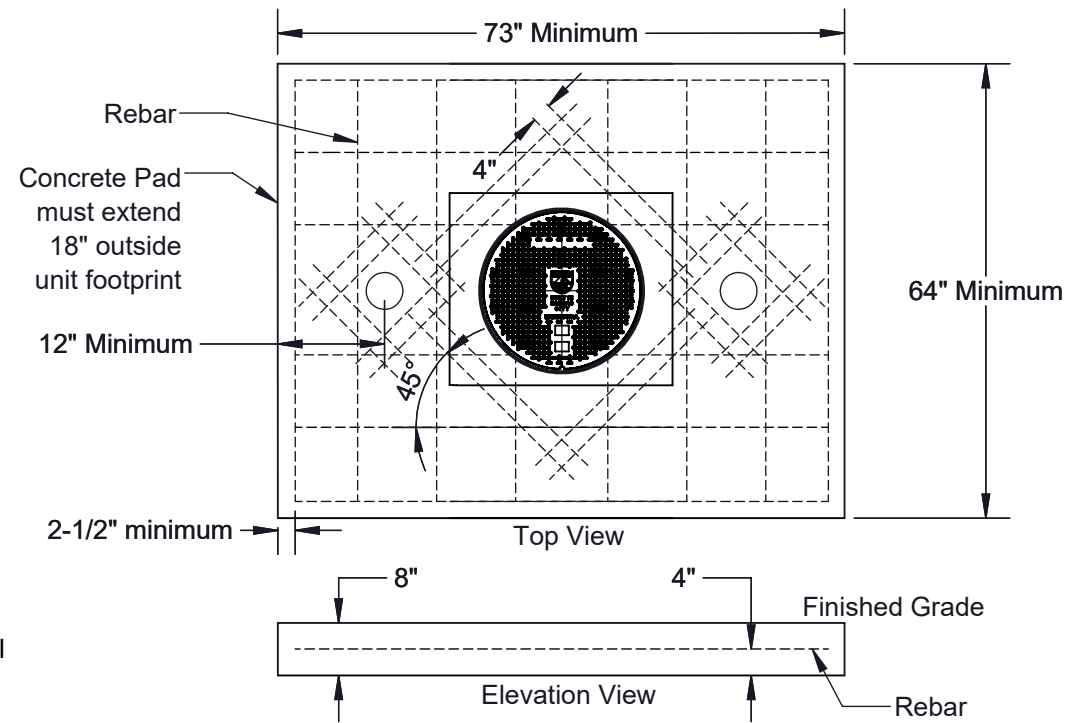
1. Lower and center the unit into hole.
2. Ensure the top of riser is level with finished grade.
3. Connect waste piping to the unit.
4. Connect vent piping to vent connection on sidewall of tank. If auxiliary vent is used, remove cap and install on inlet side vent.
5. Fill unit with water before backfilling to stabilize unit, check for leaks, and prevent float out during backfilling.

**AK-1 ANCHOR KIT INSTALLATION STEPS**

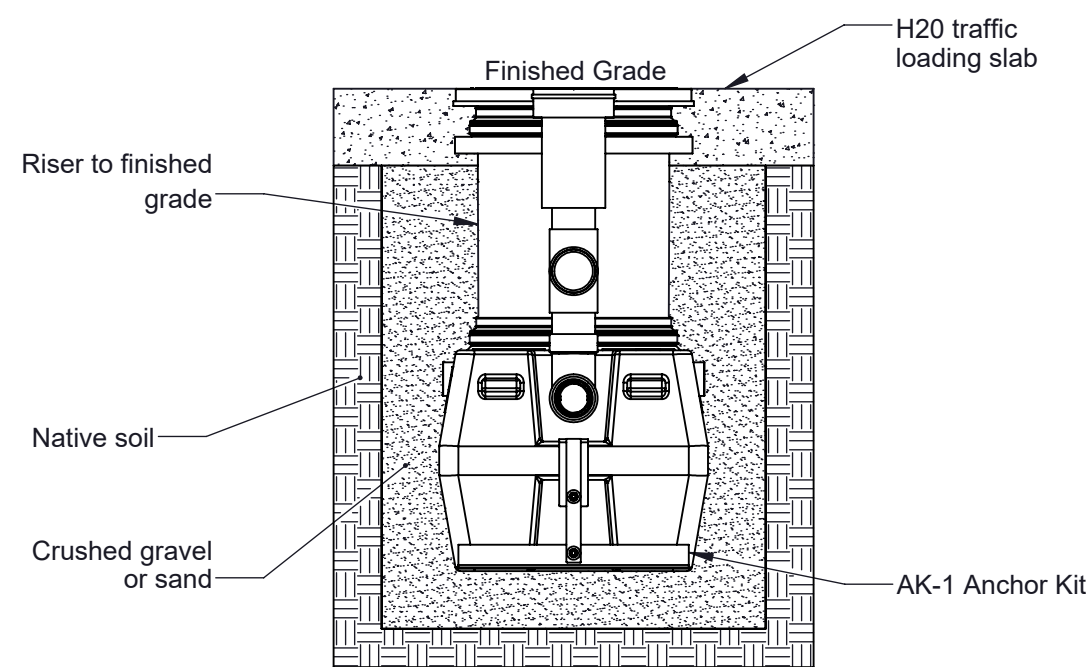
1. AK-1 Anchor kit is required for installations in high water table conditions to prevent float out. To be determined by specifying engineer. See detail on this sheet.
2. Slide "Anchor Strap" over tie down point on end wall and bolt together using provided hardware
3. Bolt "Anchor Strap" to "Anchor Plate" using provided hardware
4. Hold down force achieved by backfill weight acting on Anchor Plate.
5. Anchor Plate may be bolted to concrete slab, if required, by using holes provided in Anchor Plate.

**BACKFILLING & FINISHED CONCRETE SLAB**

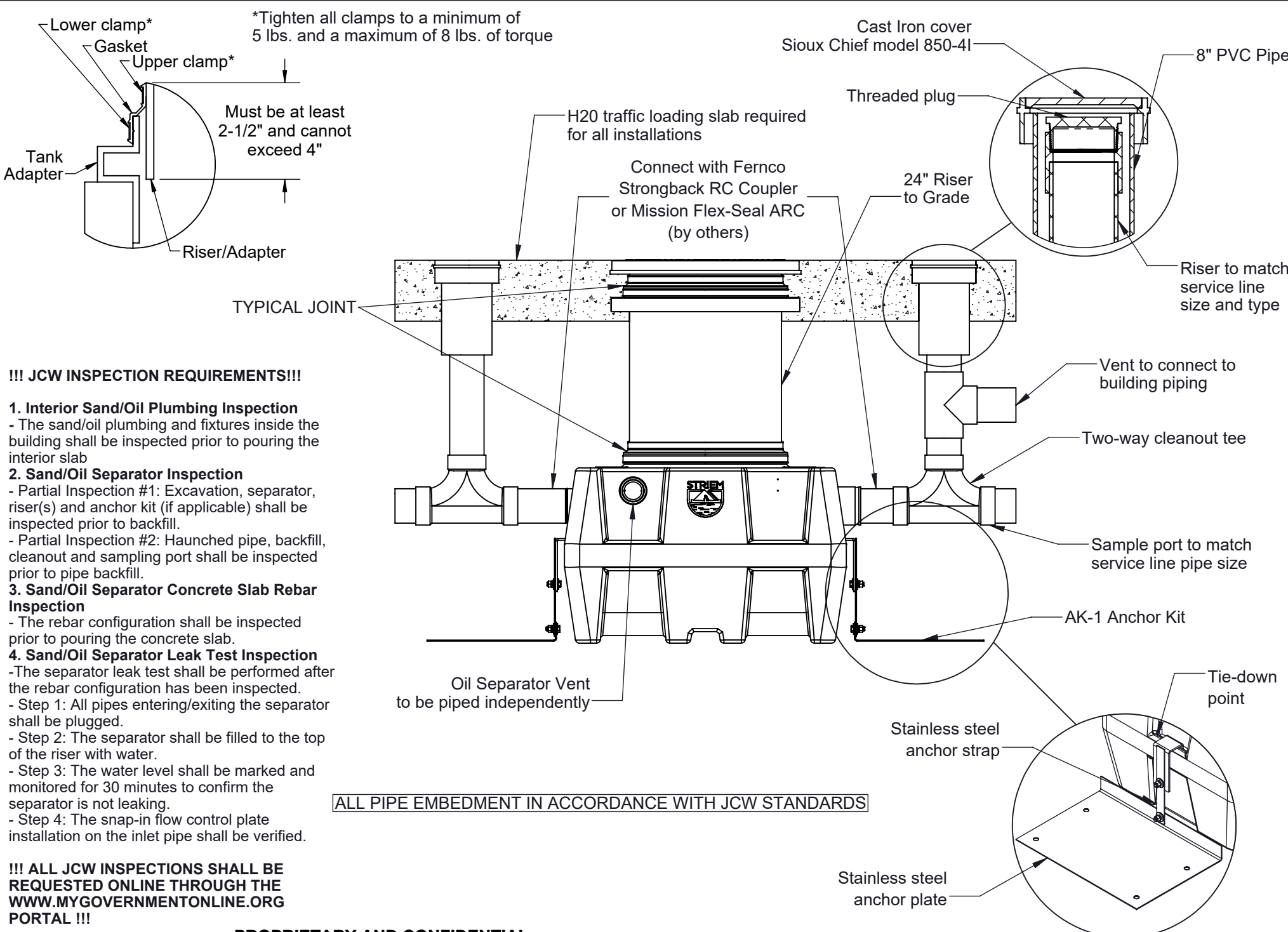
1. Preparation of sub grade per geotech recommendations.
2. Stabilize and compact sub grade to 95% proctor.
3. Fill tank with water before backfilling to prevent float out during piping installation.
4. Before backfilling and pouring of slab secure covers and risers (if necessary) to the unit.
5. Backfill using crushed aggregate material approximately 3/4" size rock, or sand, with no fines.
6. Place 6" aggregate base under slab. Aggregate should be 3/4" size rock, or sand, with no fines.
7. Concrete to be 28 day compressive strength to 4000 PSI with 6%±1% air entrainment.
8. NO. 4 rebar (φ 1/2") grade 60 steel per ASTM A615: connected with tie wire.
9. Rebar to be 2-1/2" from edge of concrete.
10. Rebar spacing 12" grid. 4" spacing around access openings.



**CONCRETE SLAB DETAIL**



**EXCAVATION AND BACKFILL DETAIL**



**!!! JCW INSPECTION REQUIREMENTS!!!**

1. Interior Sand/Oil Plumbing Inspection - The sand/oil plumbing and fixtures inside the building shall be inspected prior to pouring the interior slab
2. Sand/Oil Separator Inspection - Partial Inspection #1: Excavation, separator, riser(s) and anchor kit (if applicable) shall be inspected prior to backfill. - Partial Inspection #2: Haunched pipe, backfill, cleanout and sampling port shall be inspected prior to pipe backfill.
3. Sand/Oil Separator Concrete Slab Rebar Inspection - The rebar configuration shall be inspected prior to pouring the concrete slab.
4. Sand/Oil Separator Leak Test Inspection - The separator leak test shall be performed after the rebar configuration has been inspected. - Step 1: All pipes entering/exiting the separator shall be plugged. - Step 2: The separator shall be filled to the top of the riser with water. - Step 3: The water level shall be marked and monitored for 30 minutes to confirm the separator is not leaking. - Step 4: The snap-in flow control plate installation on the inlet pipe shall be verified.

ALL PIPE EMBEDMENT IN ACCORDANCE WITH JCW STANDARDS

**PROPRIETARY AND CONFIDENTIAL**

THE INFORMATION CONTAINED IN THIS DRAWING IS THE SOLE PROPERTY OF STRIEM, LLC. ANY REPRODUCTION IN PART OR AS A WHOLE WITHOUT THE WRITTEN PERMISSION OF STRIEM, LLC. IS PROHIBITED. JCW IS ALLOWED PUBLICATION & DISTRIBUTION

**SPECIFICATIONS**

1. Max flow rate: 50 GPM
2. Capacities: Liquid: 57 gal. (7.6 cu. ft.); Oil: 40 gal.; Sand: 7 gal.
3. Unit weight: 150 lbs.
4. Maximum operating temperature 140°F continuous.
5. H2O rated pickable cast iron cover: 16,000 lb. capacity.

**NOTES**

1. Snap-in Flow control (ships with unit).
2. For gravity drainage applications only. Do not use for pressure applications.
3. Seamless medium density polyethylene tank.
4. Unit supplied with built-in adapter for up to 3-1/2" of adjustability. Additional riser(s) available for deeper burial depth.
5. Cover placement allows full access to tank for proper maintenance.
6. Engineered inlet and outlet diffusers are removable to inspect/clean piping.

**DIFFUSION FLOW TECHNOLOGY**

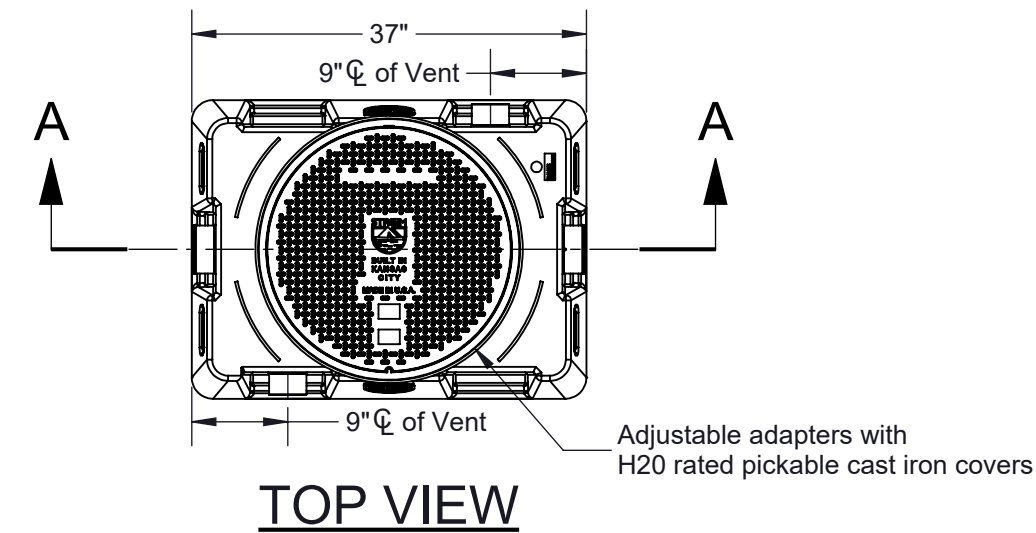
The inlet diffuser splits influent into three paths, creating laminar flow and utilizing the entire liquid volume of the tank for efficient oil separation. The calibrated openings greatly reduce influent turbulence. The influent enters the main chamber without disturbing the existing oil or sand layers. The bottom of the outlet diffuser allows only effluent that is free of oil to exit the tank.

**ENGINEER SPECIFICATION GUIDE**

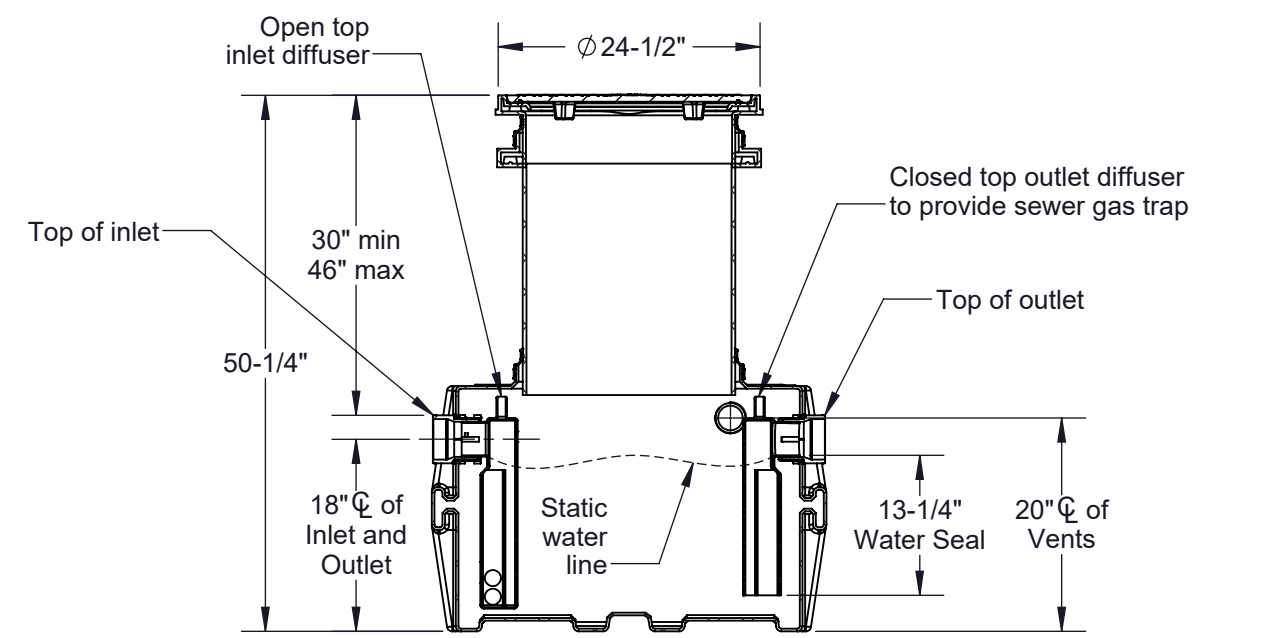
Striem Oil Reserve™ oil/sand separator model OS-50-108-JCW shall be lifetime guaranteed and made in USA of seamless, rotationally-molded polyethylene. Separator shall be furnished for below grade installation, with field adjustable riser system, snap-in flow control and (2) vent connections. Separator flow rate shall be 50 GPM. Separator oil capacity shall be 40 gallons. Sand capacity shall be 7 gallons. Covers shall provide water/gas-tight seal and have a maximum 16,000 lbs load capacity.

**THIRD PARTY STRUCTURAL ANALYSIS**

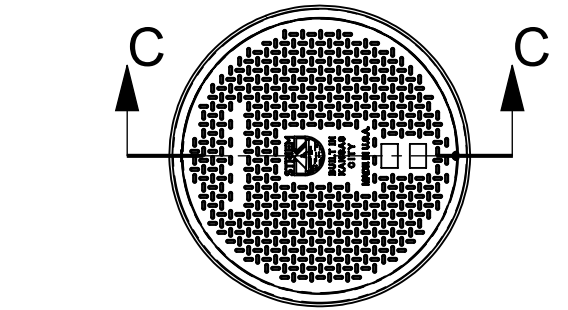
The OS-50-108-JCW has been structurally analyzed in accordance with the requirements of IBC 2012/2015 and ASCE/SEI 7 for direct burial. The maximum burial depth and backfill material are specified in our installation instructions. The structural design has been reviewed and sealed by a professional engineer registered in the state of California. A sealed structural analysis report is available upon request.



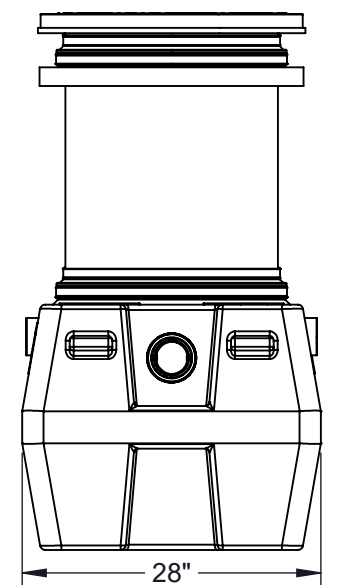
**TOP VIEW**



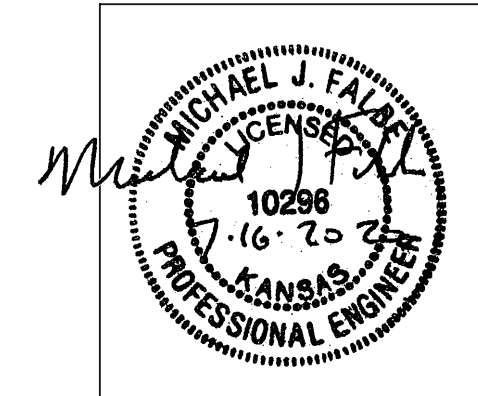
**SECTION A-A**



**SECTION C-C**



**OUTLET END VIEW**



PE STAMP (For H2O Slab Design Only)



Anchor Kit Required Unless Sealed by Kansas Professional Engineer

**Additional Options**

- SS - Slick Stick™ Oil Level Monitoring System\*
- AK-1 - High Water Anchor Kit

\*Monitoring system will raise covers by 2-1/2".

**MODEL NUMBER: OS-50-108-JCW**

**DESCRIPTION:**

**POLYETHYLENE OIL SEPARATOR  
50 GPM  
57 GALLON CAPACITY  
JOHNSON COUNTY WASTEWATER DETAIL**

**SPECIFICATION SHEET**

**Striem**  
3100 Brinkerhoff  
Kansas City, KS 66115  
Tel: 913-222-1500  
Fax: 913-291-0457  
www.striemco.com



**Made in the U.S.A**

**DWG BY: MJ DATE: 07/16/2020 REV: 0**