

SPECIFICATIONS

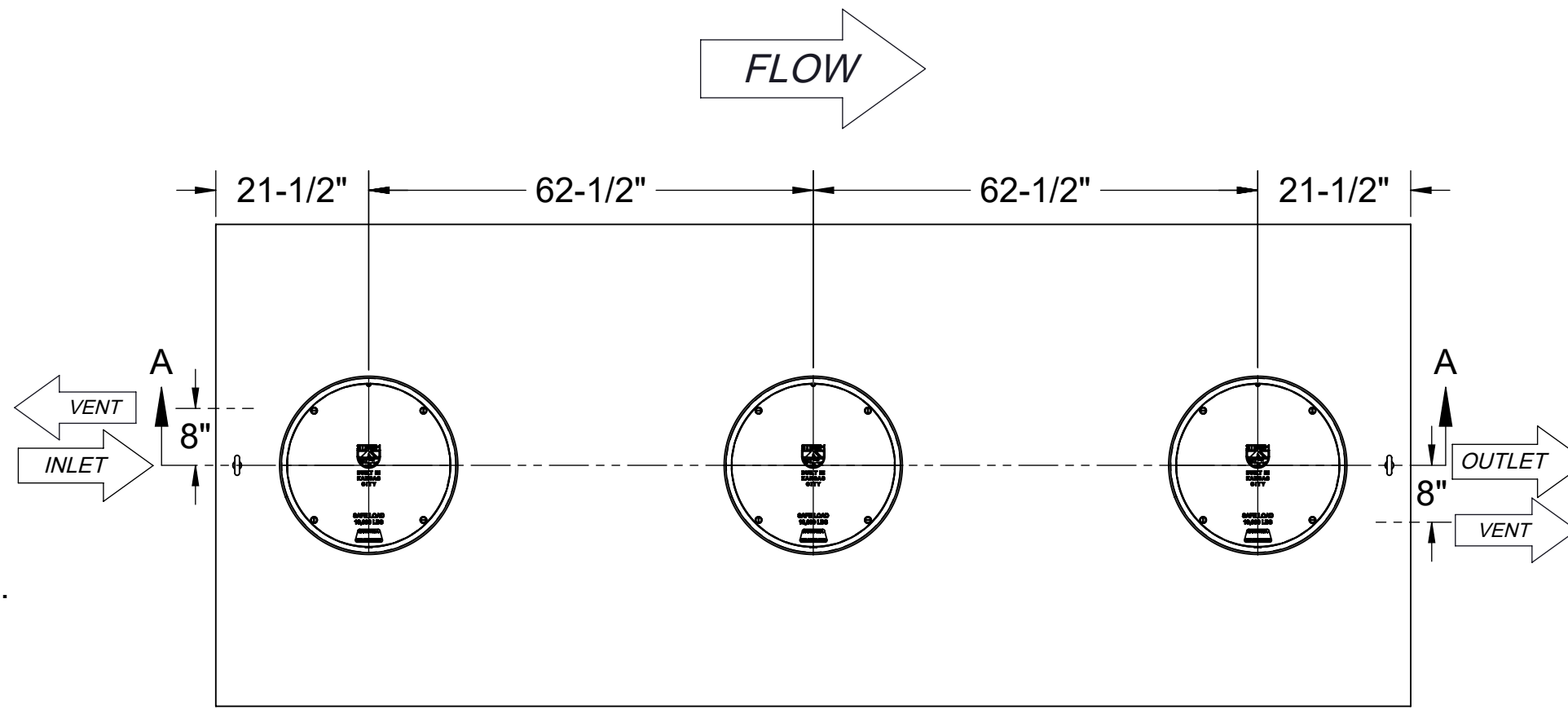
1. 3" Plain end vents standard.
2. Liquid holding capacity: 2000 gallons (267 cu. ft.).
3. Unit weight: 1820 lbs.
4. Maximum operating temperature 140°F continuous.
5. Highway rated covers: 16,000 lb. load rating.

NOTES

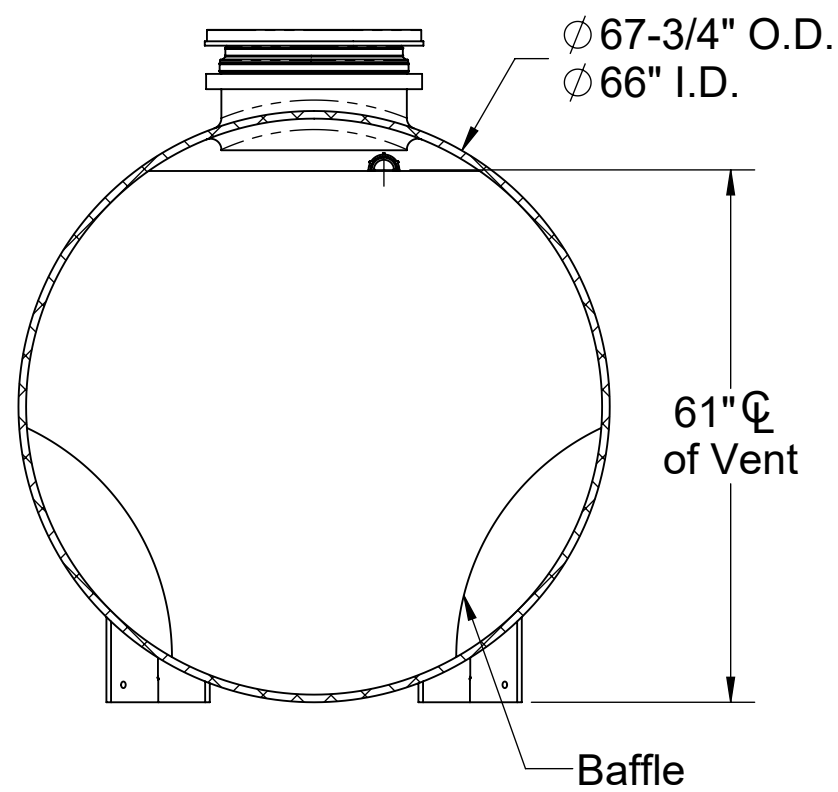
1. For gravity drainage applications only. Do not use for pressure applications.
2. Cover placement allows full access to tank for proper maintenance.
3. Lifting lug set for easy install.
4. For below grade installation only.

ENGINEER SPECIFICATION GUIDE

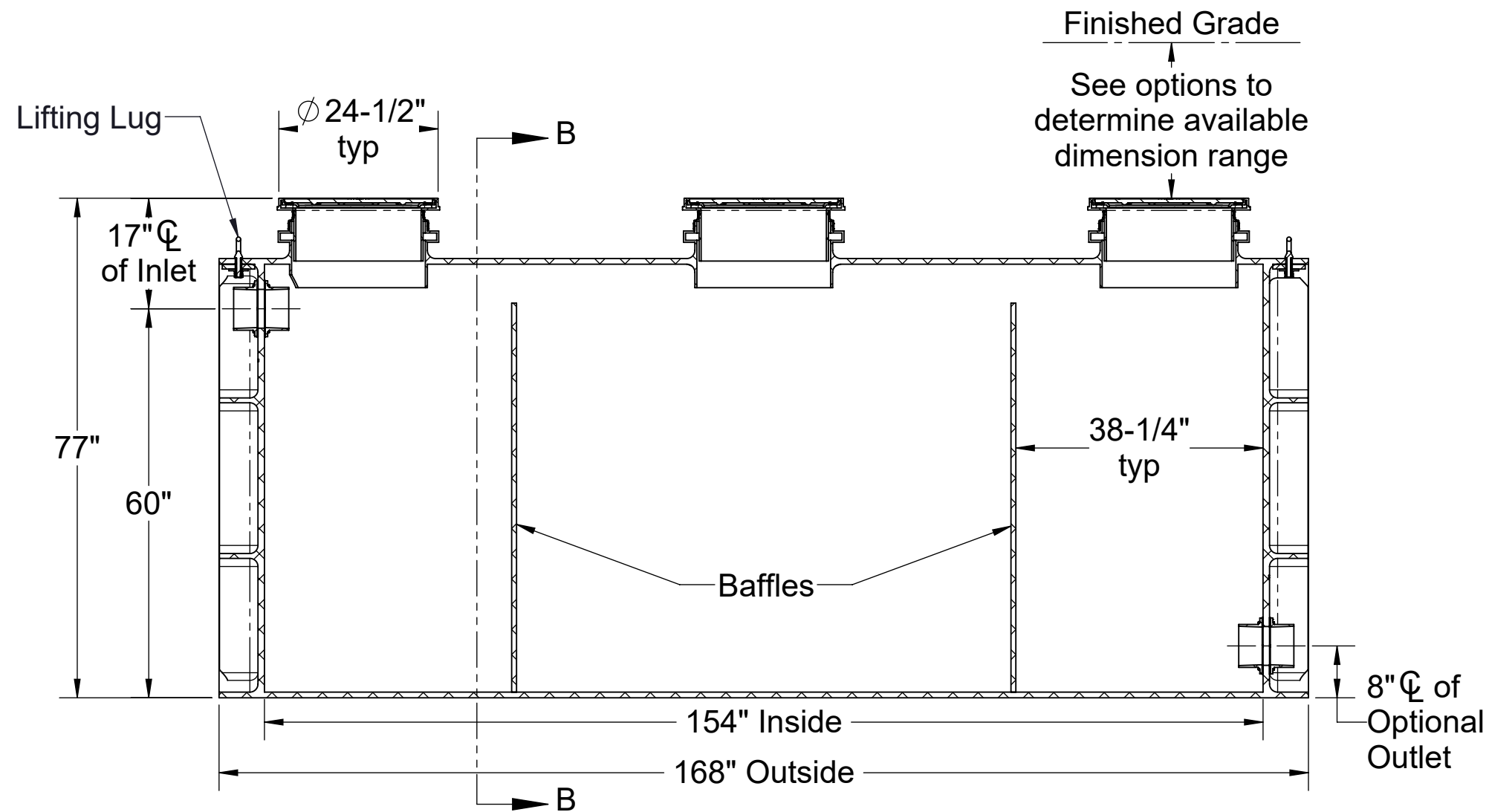
Striem Bio Basin model BB-2000 shall be lifetime guaranteed and made in USA of High Density Polyethylene with minimum 7/8" uniform wall thickness. Tank shall be furnished for below grade installation with field adjustable riser system. Cover shall provide water/gas-tight seal and have a maximum 16,000 lbs. load rating.



TOP VIEW



SECTION B-B



SECTION A-A

Directions: Complete steps 1-3 and submit signed with purchase order.

1. Choose Connection Types.

- | | |
|--|--|
| Inlet | Size |
| <input type="checkbox"/> Plain End | <input type="checkbox"/> 3" |
| <input type="checkbox"/> Female Thread | <input type="checkbox"/> 4" |
| | <input type="checkbox"/> 6" (Plain End Only) |
| Optional Outlet | Size |
| <input type="checkbox"/> Plain End | <input type="checkbox"/> 3" |
| <input type="checkbox"/> Female Thread | <input type="checkbox"/> 4" |
| | <input type="checkbox"/> 6" (Plain End Only) |

2. Riser Options.

- Included:** 0" - 5"
- SR24 (3): 5" - 24"
 - LR24 (3): 24" - 39"
 - SR24 (6): 39" - 43"
 - SR24 (3) + LR24 (3): 43" - 58"
 - LR24 (6): 58" - 72"
 - SR24 (3) + LR24 (6): 72" - 90"
 - LR24 (9): 90" - 106"
- OR -**
- CPRK (3): 11" - 106"
 - Corrugated Pipe Riser Kit.
 - Used in substitute of SR/LR riser options.
 - 18" diameter corrugated pipe by others.
 - See CPRK specification for more detail.

3. Choose Additional Options.

- HDK-7: High Water Table Hold Down Kit
- AVA-3: Single Level Monitoring Package *
- AVA-4: Multi-Level Monitoring Package *
- MBV: Manual Ball Valve (specification available upon request)
- EAV: Electronically Actuated Valve (specification available upon request)

*Monitoring packages will raise covers by 3".

Signature of Approval: _____
 Company: _____
 Date of Approval: _____
 Specifying Engineer: _____
 Engineering Firm: _____

PO IS NON-CANCELABLE
 ORDER IS NON-RETURNABLE

MODEL NUMBER: BB-2000
DESCRIPTION:
 POLYETHYLENE DECONTAMINATION TANK
 2000 GALLON CAPACITY

DWG BY: MJ **DATE:** 02/02/2022 **REV:** 0 **ECO:**

SPECIFICATION SHEET

Striem
 3100 Brinkerhoff
 Kansas City, KS 66115
 Tel: 913-222-1500
 orders@striemco.com
 www.striemco.com

Made in the U.S.A

