

**SPECIFICATIONS**

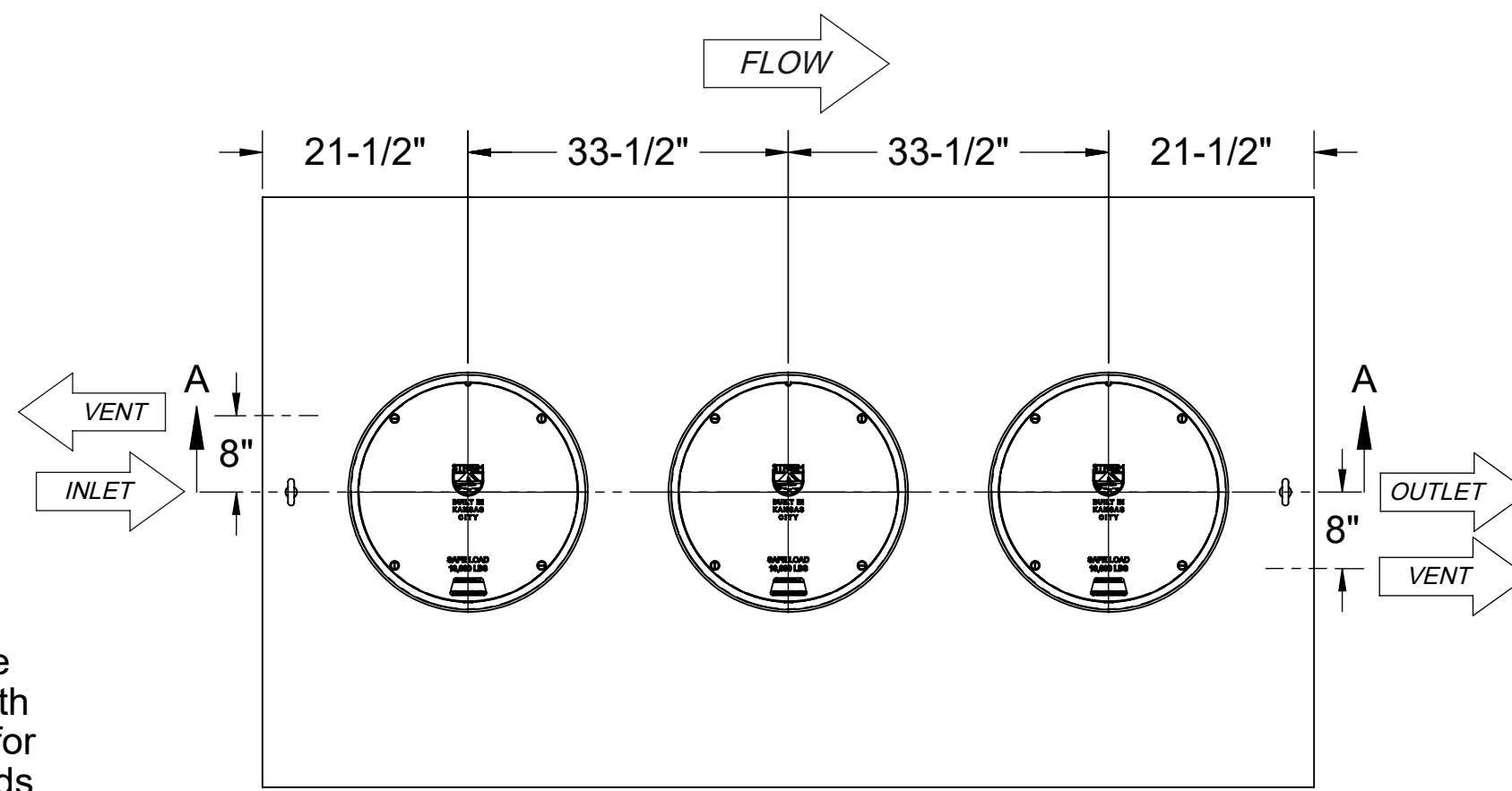
- 3" Plain end vents standard.
- Liquid capacity: 1000 gallons (133 cu. ft.).
- Solids capacity: 477 gallons.
- Unit weight with composite cover: 1184 lbs.
- Maximum operating temperature 140°F continuous.
- Highway rated covers: 16,000 lb. load rating.

**NOTES**

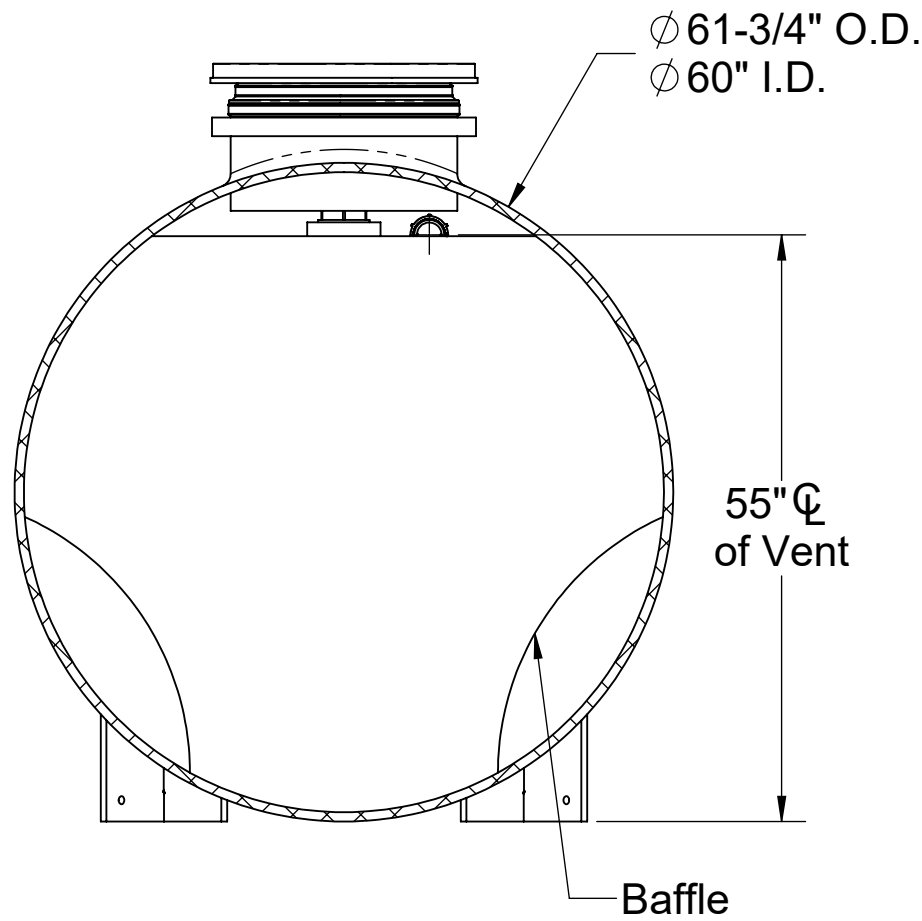
- For gravity drainage applications only. Do not use for pressure applications.
- Cover placement allows full access to tank for proper maintenance.
- Lifting lug set for easy install.
- For below grade installation only.

**ENGINEER SPECIFICATION GUIDE**

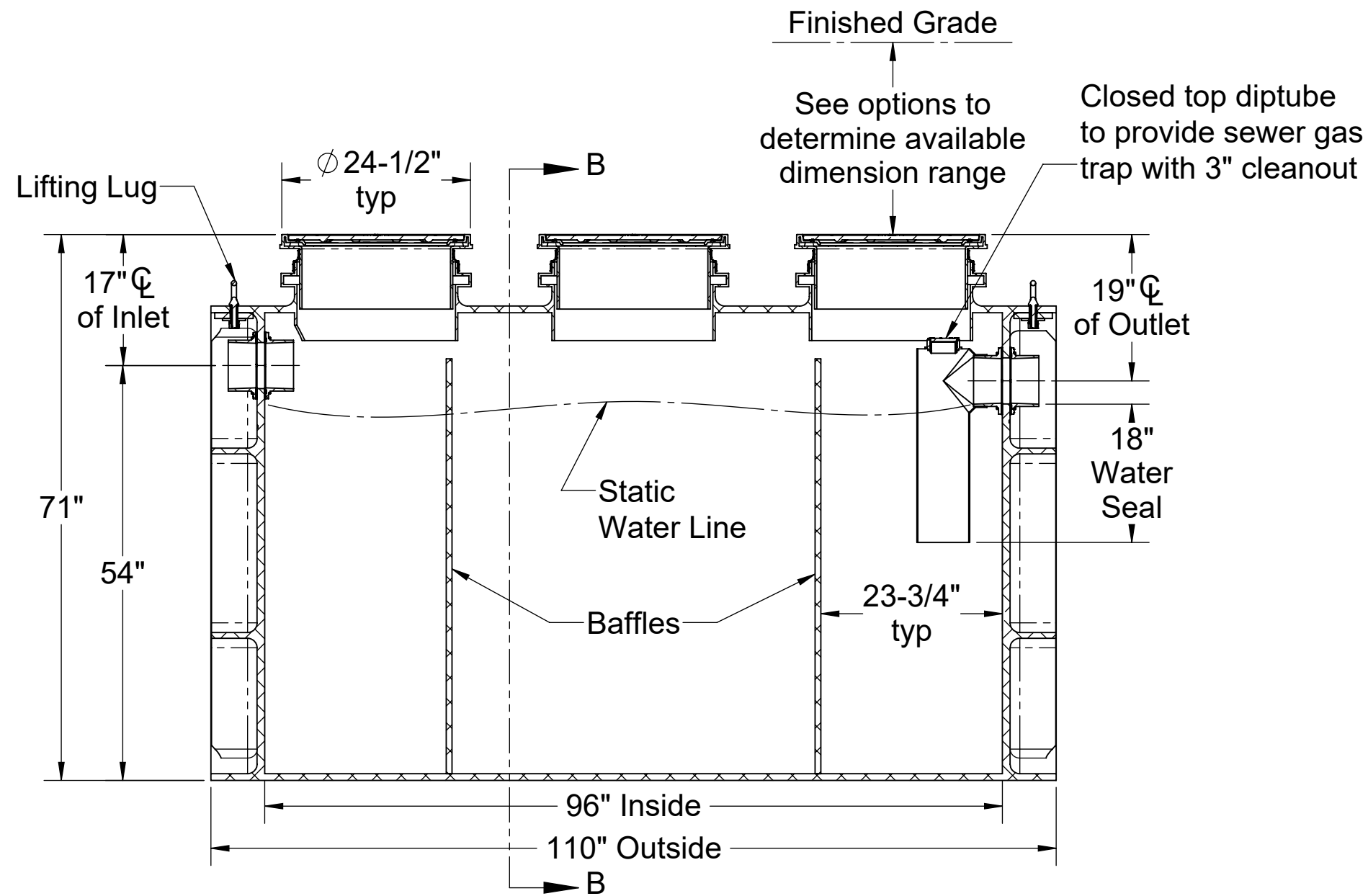
Striem Settler™ catch basin model CB-1000-S shall be lifetime guaranteed and made in USA of High Density Polyethylene with minimum 7/8" uniform wall thickness. Tank shall be furnished for below grade installation with field adjustable riser system. Solids capacity shall be 477 gallons. Cover shall provide water/gas-tight seal and have a maximum 16,000 lbs load rating.



**TOP VIEW**



**SECTION B-B**



**SECTION A-A**

**Directions:** Complete steps 1-3 and submit signed with purchase order.

**1. Choose Connection Types.**

Inlet	Size
<input type="checkbox"/> Plain End	<input type="checkbox"/> 4"
<input type="checkbox"/> Male Thread	<input type="checkbox"/> 6"
	<input type="checkbox"/> 8" (Plain End Only)

**2. Riser Options.**

- Included: 0" - 5"**
- SR24 (3): 5" - 24"
  - LR24 (3): 24" - 39"
  - SR24 (6): 39" - 43"
  - SR24 (3) + LR24 (3): 43" - 58"
  - LR24 (6): 58" - 72"
  - SR24 (3) + LR24 (6): 72" - 90"
  - LR24 (9): 90" - 106"
- OR -**
- CPRK (3): 11" - 106"
    - Corrugated Pipe Riser Kit.
    - Used in substitute of SR/LR riser options.
    - 18" diameter corrugated pipe by others.
    - See CPRK specification for more detail.

**3. Choose Additional Options.**

- HDK-5: High Water Table Hold Down Kit
- C24-HP: H2O Rated Pickable Cast Iron Covers

Signature of Approval: \_\_\_\_\_  
 Company: \_\_\_\_\_  
 Date of Approval: \_\_\_\_\_  
 Specifying Engineer: \_\_\_\_\_  
 Engineering Firm: \_\_\_\_\_

PO IS NON-CANCELABLE  
 ORDER IS NON-RETURNABLE

<b>MODEL NUMBER:</b> CB-1000-S	
<b>DESCRIPTION:</b> SETTLER SERIES POLYETHYLENE CATCH BASIN 1000 GALLON CAPACITY	
<b>DWG BY:</b> WLF	<b>DATE:</b> 1/27/22
<b>REV:</b> 0	<b>ECO:</b>

**SPECIFICATION SHEET**

**Striem**  
 3100 Brinkerhoff  
 Kansas City, KS 66115  
 Tel: 913-222-1500  
 orders@striemco.com  
 www.striemco.com



Made in the U.S.A

THE INFORMATION CONTAINED IN THIS DRAWING IS THE SOLE PROPERTY OF STRIEM, LLC. ANY REPRODUCTION IN PART OR AS A WHOLE WITHOUT THE WRITTEN PERMISSION OF STRIEM, LLC. IS PROHIBITED.