

**SPECIFICATIONS**

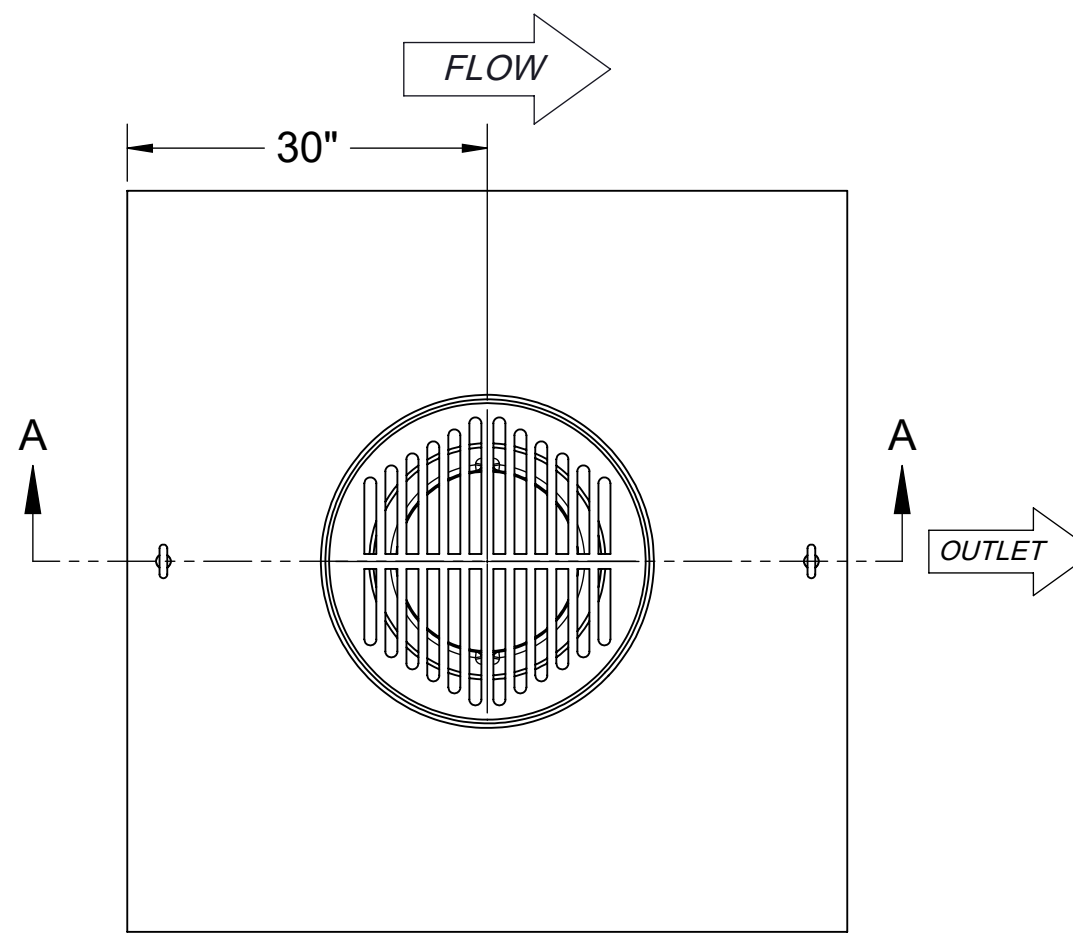
1. Liquid capacity: 500 gallons (66 cu. ft.).
2. Solids capacity: 400 gallons.
3. Unit weight: 900 lbs.
4. Maximum operating temperature 140°F continuous.
5. H2O rated cast iron grate.

**NOTES**

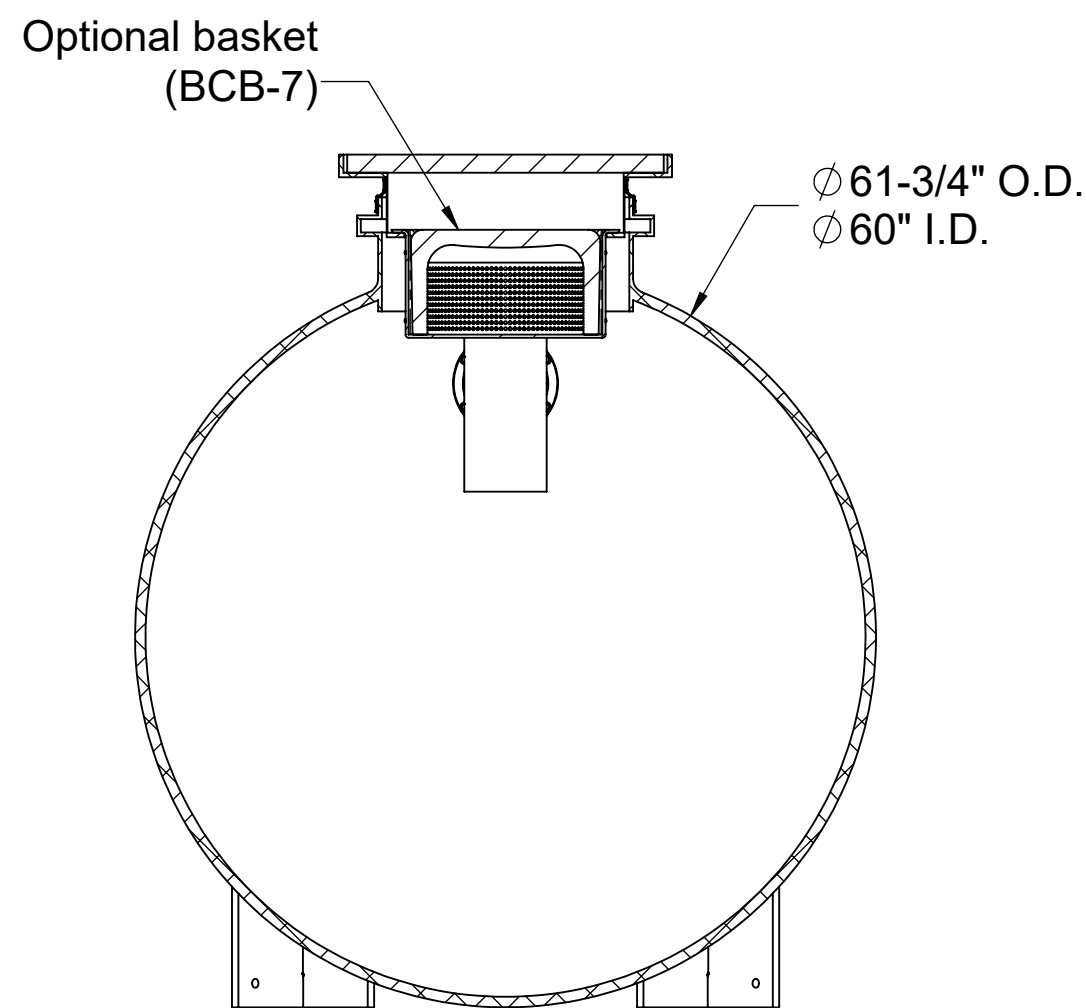
1. For gravity drainage applications only. Do not use for pressure applications.
2. Cover placement allows full access to tank for proper maintenance.
3. Lifting lug set for easy install.
4. For below grade installation only.

**ENGINEER SPECIFICATION GUIDE**

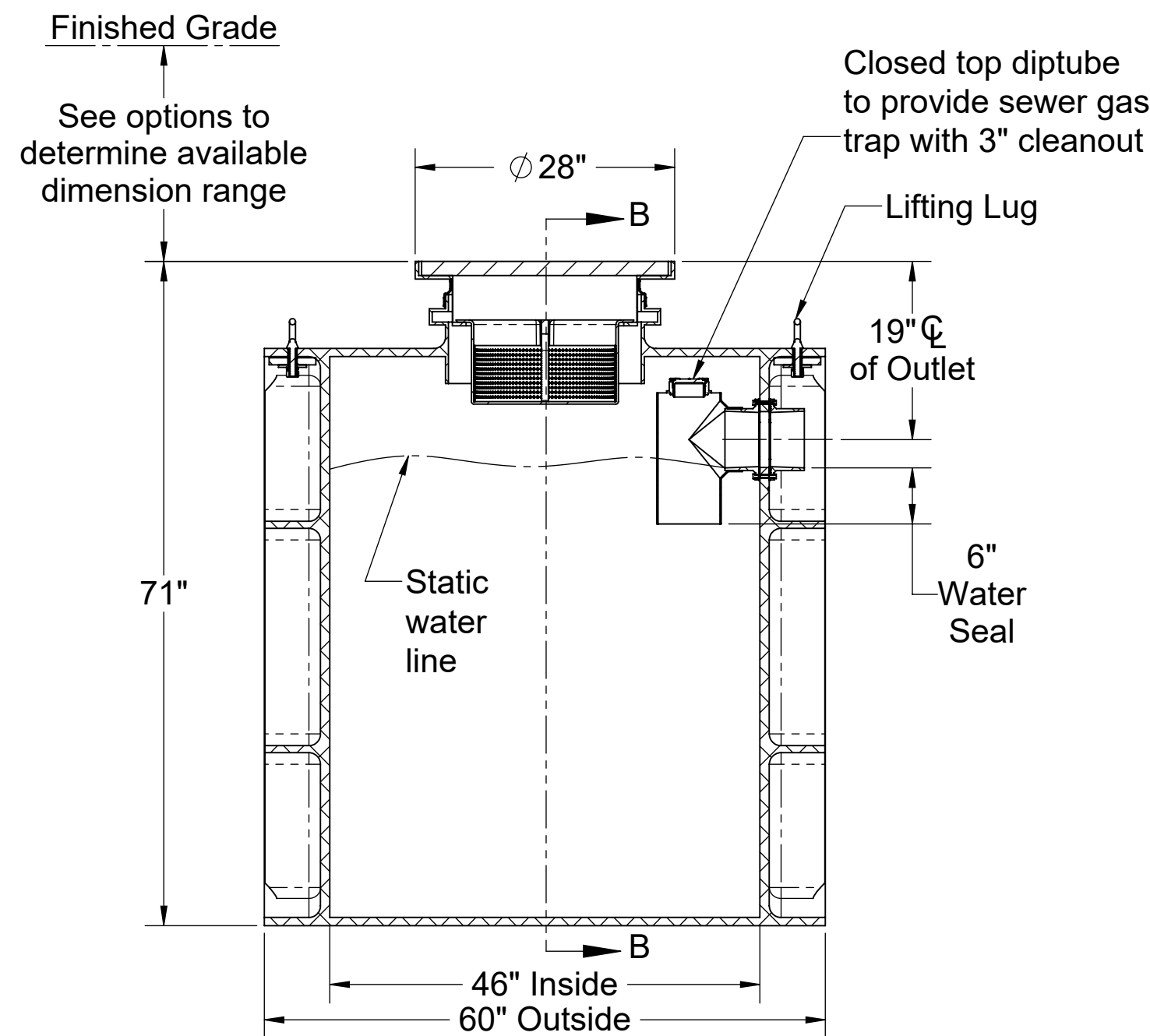
Striem Settler™ catch basin model CB-500-G shall be lifetime guaranteed and made in USA of High Density Polyethylene with minimum 7/8" uniform wall thickness. Tank shall be furnished for below grade installation with field adjustable riser system. Solids capacity shall be 259 gallons.



**TOP VIEW**



**SECTION B-B**



**SECTION A-A**

**Directions: Complete steps 1-3 and submit signed with purchase order.**

**1. Choose Connection Types.**

Outlet	Size
<input type="checkbox"/> Plain End	<input type="checkbox"/> 4"
<input type="checkbox"/> Male Thread	<input type="checkbox"/> 6"

**2. Riser Options.**

- Included:** 0" - 2-1/2"
- SR24:** 5" - 24"
  - LR24:** 24" - 39"
  - SR24 (2):** 39" - 43"
  - SR24 + LR24:** 43" - 58"
  - LR24 (2):** 58" - 72"
  - SR24 + LR24 (2):** 72" - 90"
  - LR24 (3):** 90" - 106"
- \*If in the range of 2-1/2" - 5", contact Striem for a custom solution.

**3. Choose Additional Options.**

- HDK-8:** High Water Table Hold Down Kit
- BCB-7:** 7 Gallon Capacity Sediment Basket

Signature of Approval: \_\_\_\_\_  
 Company: \_\_\_\_\_  
 Date of Approval: \_\_\_\_\_  
 Specifying Engineer: \_\_\_\_\_  
 Engineering Firm: \_\_\_\_\_

PO IS NON-CANCELABLE  
 ORDER IS NON-RETURNABLE

<b>MODEL NUMBER:</b>	CB-500-G
<b>DESCRIPTION:</b>	SETTLER SERIES POLYETHYLENE CATCH BASIN WITH HIGHWAY RATED CAST IRON GRATE 500 GALLON CAPACITY
<b>DWG BY:</b> WLF	<b>DATE:</b> 2/28/22
<b>REV:</b> 0	<b>ECO:</b>

**SPECIFICATION SHEET**

**Striem**  
 3100 Brinkerhoff  
 Kansas City, KS 66115  
 Tel: 913-222-1500  
 orders@striemco.com  
 www.striemco.com

**Made in the U.S.A**



PROPRIETARY AND CONFIDENTIAL  
 THE INFORMATION CONTAINED IN THIS DRAWING IS THE SOLE PROPERTY OF STRIEM, LLC.  
 ANY REPRODUCTION IN PART OR AS A WHOLE WITHOUT THE WRITTEN PERMISSION OF STRIEM, LLC. IS PROHIBITED.