

SPECIFICATIONS

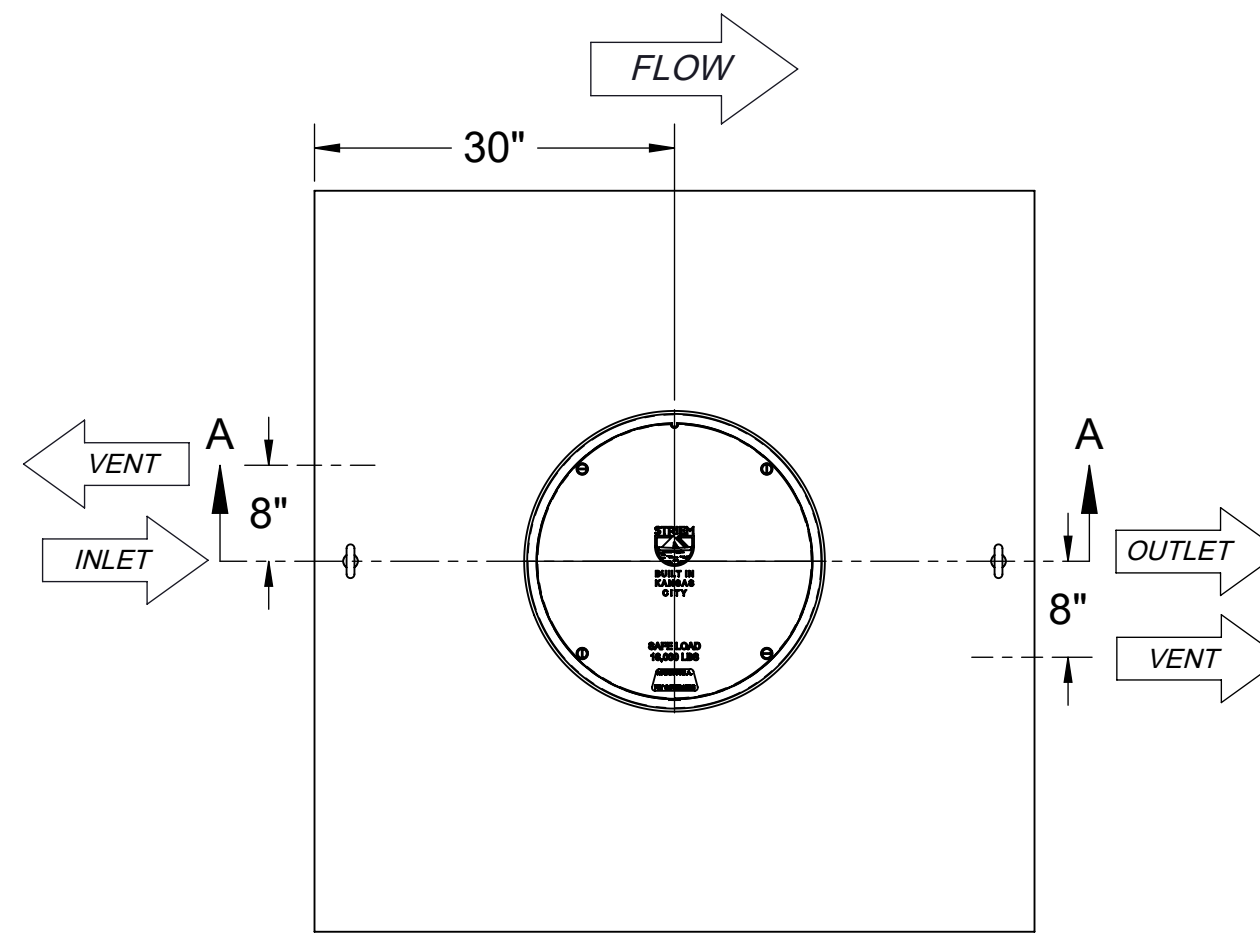
1. 3" Plain end vents standard.
2. Liquid capacity: 500 gallons (66 cu. ft.).
3. Solids capacity: 400 gallons.
4. Unit weight with composite cover: 800 lbs.
5. Maximum operating temperature 140°F continuous.
6. Highway rated cover: 16,000 lb. load rating.

NOTES

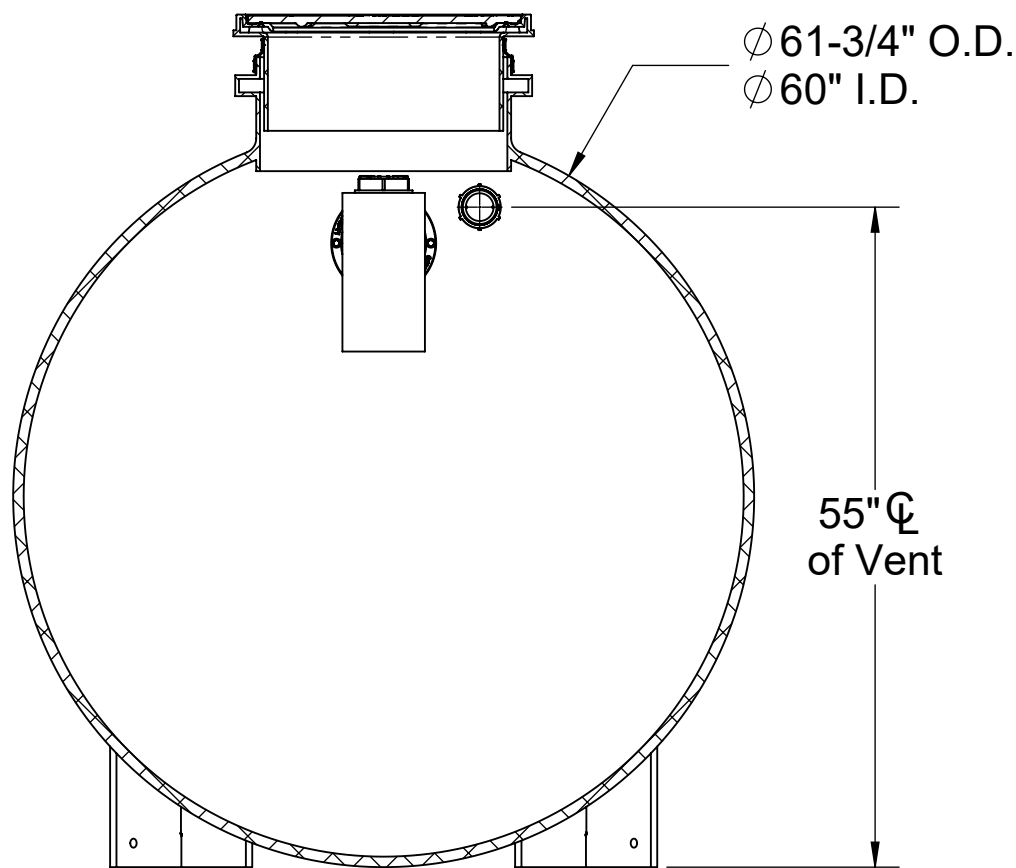
1. For gravity drainage applications only. Do not use for pressure applications.
2. Cover placement allows full access to tank for proper maintenance.
3. Lifting lug set for easy install.
4. For below grade installation only.

ENGINEER SPECIFICATION GUIDE

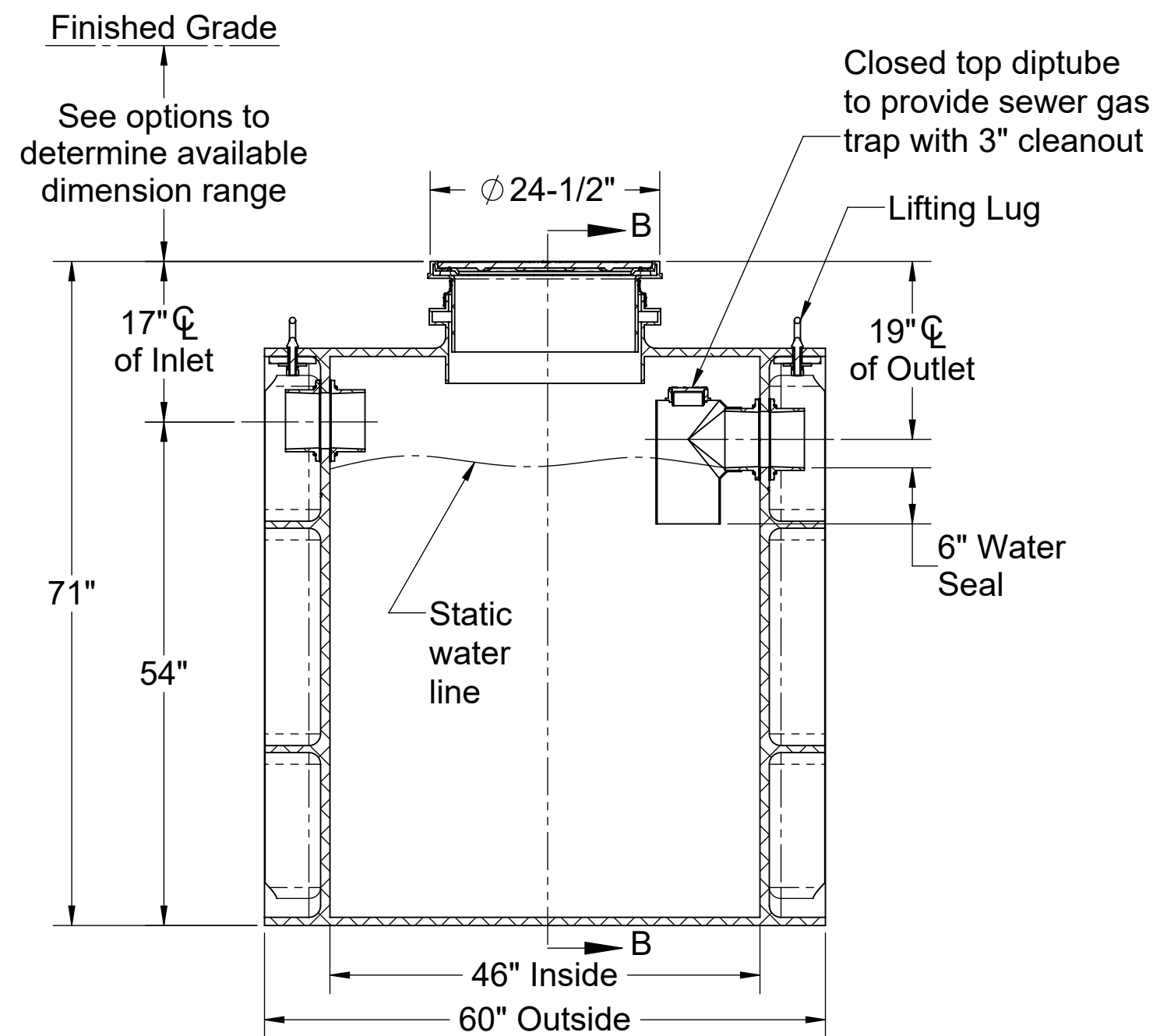
Striem Settler™ catch basin model CB-500-S shall be lifetime guaranteed and made in USA of High Density Polyethylene with minimum 7/8" uniform wall thickness. Tank shall be furnished for below grade installation with field adjustable riser system. Solids capacity shall be 400 gallons. Cover shall provide water/gas-tight seal and have a maximum 16,000 lbs load rating.



TOP VIEW



SECTION B-B



SECTION A-A

Directions: Complete steps 1-3 and submit signed with purchase order.

1. Choose Connection Types.

Inlet	Size
<input type="checkbox"/> Plain End	<input type="checkbox"/> 4"
<input type="checkbox"/> Male Thread	<input type="checkbox"/> 6"
	<input type="checkbox"/> 8" (Plain End Only)

2. Riser Options.

- Included: 0" - 5"**
- SR24: 5" - 24"
 - LR24: 24" - 39"
 - SR24 (2): 39" - 43"
 - SR24 + LR24: 43" - 58"
 - LR24 (2): 58" - 72"
 - SR24 + LR24 (2): 72" - 90"
 - LR24 (3): 90" - 106"
- OR -**
- CPRK: 11" - 106"
 - Corrugated Pipe Riser Kit.
 - Used in substitute of SR/LR riser options.
 - 18" diameter corrugated pipe by others.
 - See CPRK specification for more detail.

3. Choose Additional Options.

- HDK-8: High Water Table Hold Down Kit
- C24-HP: H2O Rated Pickable Cast Iron Cover

Signature of Approval: _____
 Company: _____
 Date of Approval: _____
 Specifying Engineer: _____
 Engineering Firm: _____

PO IS NON-CANCELABLE
 ORDER IS NON-RETURNABLE

MODEL NUMBER:	CB-500-S
DESCRIPTION:	SETTLER SERIES POLYETHYLENE CATCH BASIN 500 GALLON CAPACITY
DWG BY: MJ	DATE: 02/10/2022 REV: 0 ECO:

SPECIFICATION SHEET

Striem
 3100 Brinkerhoff
 Kansas City, KS 66115
 Tel: 913-222-1500
 orders@striemco.com
 www.striemco.com



Made in the U.S.A

PROPRIETARY AND CONFIDENTIAL

THE INFORMATION CONTAINED IN THIS DRAWING IS THE SOLE PROPERTY OF STRIEM, LLC. ANY REPRODUCTION IN PART OR AS A WHOLE WITHOUT THE WRITTEN PERMISSION OF STRIEM, LLC. IS PROHIBITED.