

SPECIFICATIONS

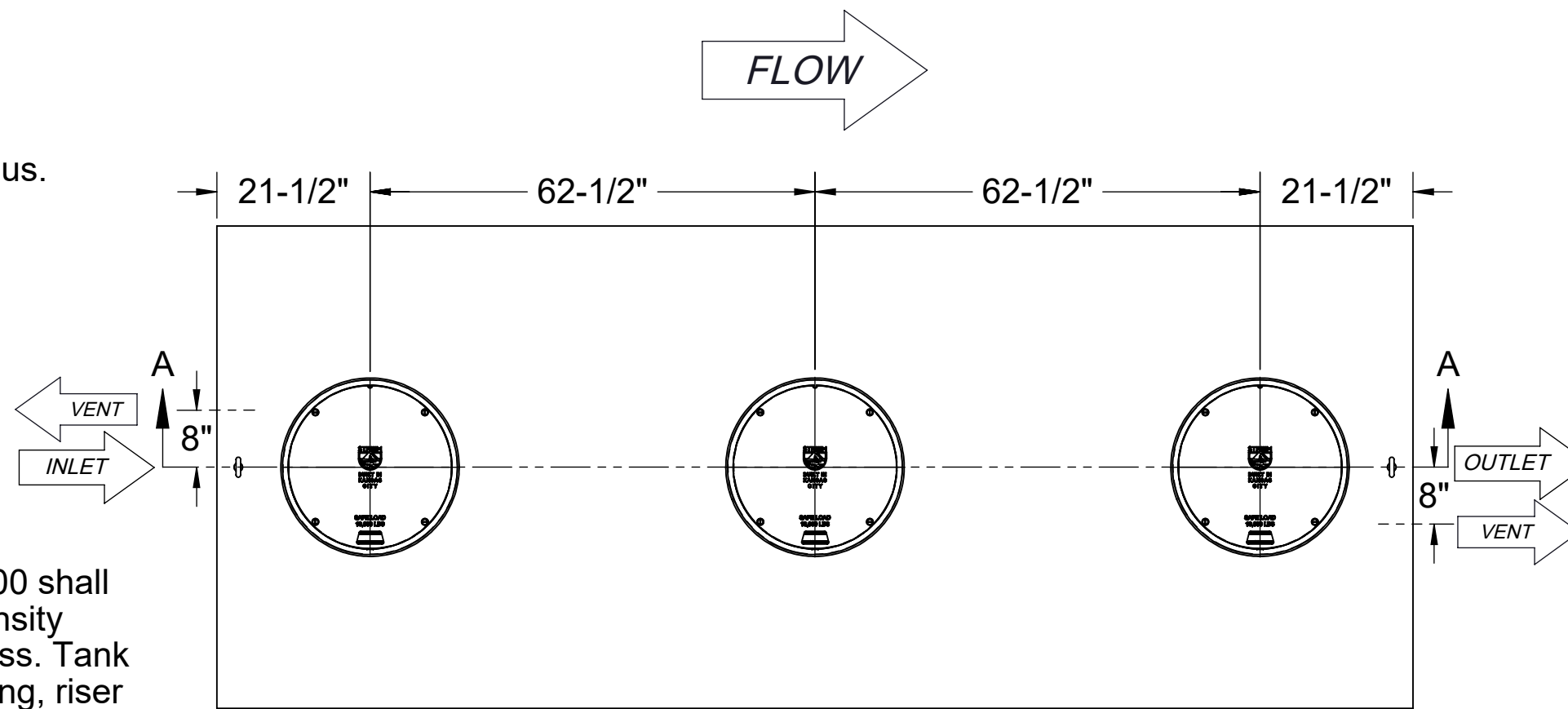
- 3" Plain end vents standard.
- Liquid capacity: 2000 gallons (267 cu. ft.).
- Unit weight: 1820 lbs.
- Maximum operating temperature 140 °F continuous.
- Highway rated cover: 16,000 lb. load rating.

NOTES

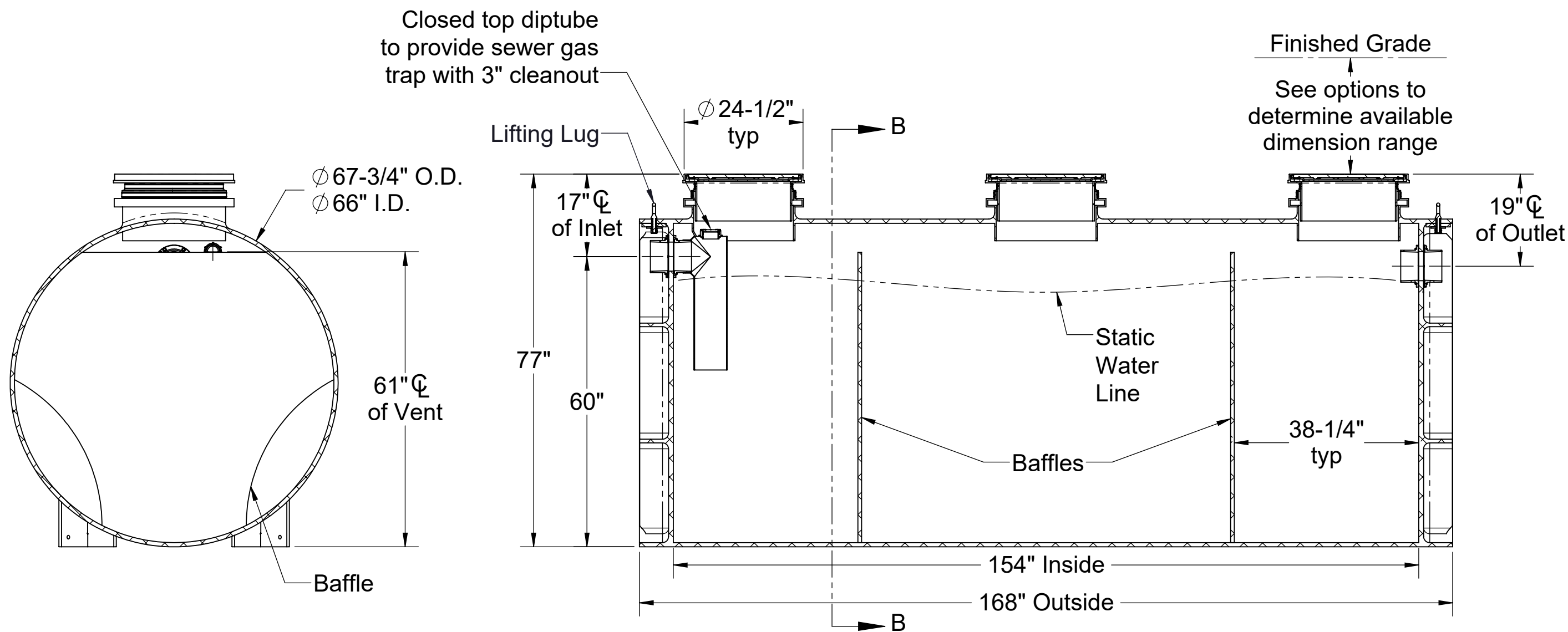
- For gravity drainage applications only. Do not use for pressure applications.
- Cover placement allows full access to tank for proper maintenance.
- Lifting lug set for easy install.
- For below grade installation only.

ENGINEER SPECIFICATION GUIDE

Striem Lab Basin™ neutralization tank model LB-2000 shall be lifetime guaranteed and Made in USA of High Density Polyethylene with minimum 7/8" uniform wall thickness. Tank shall be furnished with inlet, outlet, vent, cover, bracing, riser system, monitoring equipment and other modifications per jobsite-specific conditions and per engineer's specification.



TOP VIEW



SECTION B-B

SECTION A-A

Directions: Complete steps 1-4 and submit signed with purchase order.

1. Choose Connection Types.

- | | |
|--|--|
| Inlet / Outlet | Size |
| <input type="checkbox"/> Plain End | <input type="checkbox"/> 4" |
| <input type="checkbox"/> Female Thread | <input type="checkbox"/> 6" (Plain End Only) |
| | <input type="checkbox"/> 8" (Plain End Only) |

2. Diptube Location.

- Diptube at:** Inlet Outlet Both (Ohio Code)
(Provided on inlet if not specified)

3. Riser Options.

- Included : 0" - 5"**
- SR24 (3):** 5" - 24"
 - LR24 (3):** 24" - 39"
 - SR24 (6):** 39" - 43"
 - SR24 (3) + LR24 (3):** 43" - 58"
 - LR24 (6):** 58" - 72"
 - SR24 (3) + LR24 (6):** 72" - 90"
 - LR24 (9):** 90" - 106"
- OR -**
- CPRK (3):** 11" - 106"
 - Corrugated Pipe Riser Kit.
 - Used in substitute of SR/LR riser options.
 - 18" diameter corrugated pipe by others.
 - See CPRK specification for more detail.

4. Additional Options.

- CC-1:** Command Center pH Monitoring Package
- SPK-A:** Above Grade Sensor Placement Kit*
- SPK-B:** Below Grade Sensor Placement Kit*
- HDK-7:** High Water Table Hold Down Kit
- 90%+ Calcium Carbonate Limestone (25,500 lbs.)

*Required with CC-1

Signature of Approval: _____

Company: _____

Date of Approval: _____

Specifying Engineer: _____

Engineering Firm: _____

PROPRIETARY AND CONFIDENTIAL

THE INFORMATION CONTAINED IN THIS DRAWING IS THE SOLE PROPERTY OF STRIEM, LLC. ANY REPRODUCTION IN PART OR AS A WHOLE WITHOUT THE WRITTEN PERMISSION OF STRIEM, LLC. IS PROHIBITED.

PO IS NON-CANCELABLE
ORDER IS NON-RETURNABLE

MODEL NUMBER: LB-2000

DESCRIPTION:
POLYETHYLENE NEUTRALIZATION TANK
2000 GALLON CAPACITY

DWG BY: WLF **DATE:** 4/1/22 **REV:** 0 **ECO:**

SPECIFICATION SHEET

Striem
3100 Brinkerhoff
Kansas City, KS 66115
Tel: 913-222-1500
orders@striemco.com
www.striemco.com

Made in the U.S.A

