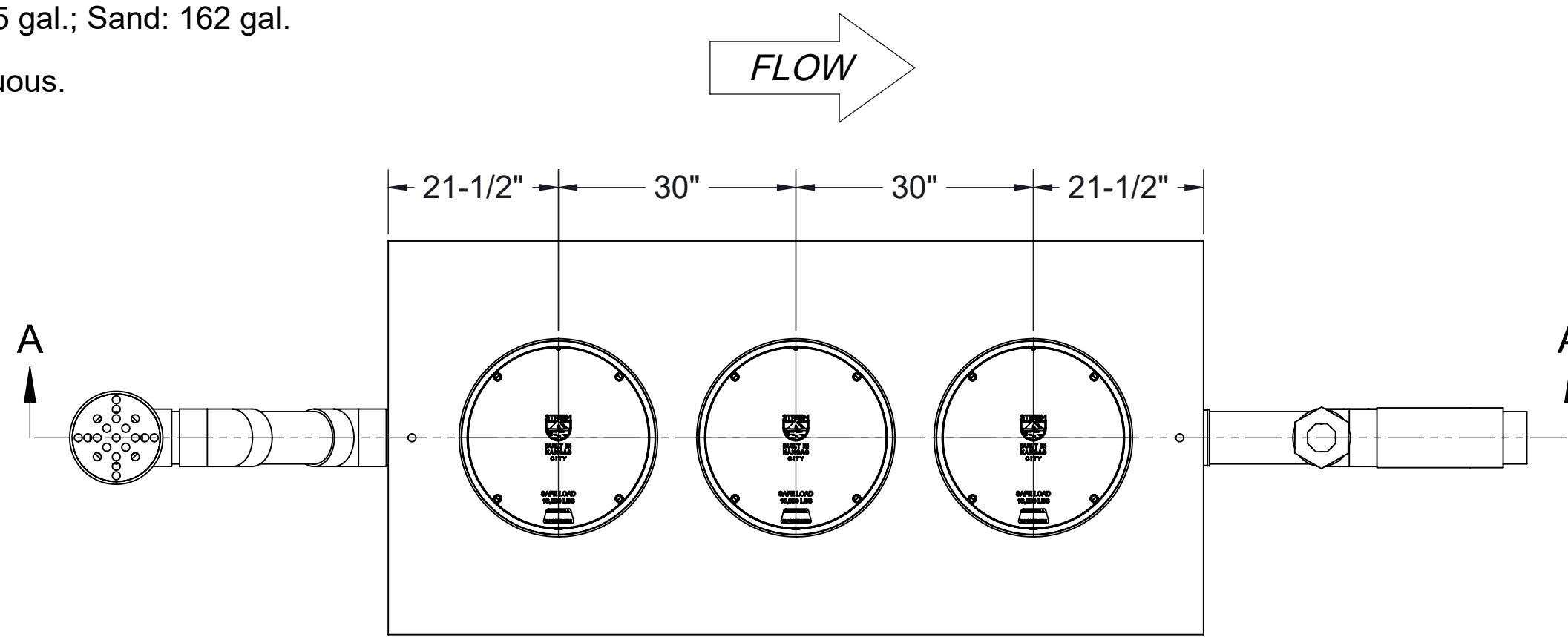


SPECIFICATIONS

1. 6" Plain End inlet/outlet; 3" Plain End vents.
2. Max flow rate: 314 GPM
3. Capacities: Liquid: 665 gal. (88.9 cu. ft.); Oil: 85 gal.; Sand: 162 gal.
4. Unit weight: 845 lbs.
5. Maximum operating temperature 140°F continuous.
6. Highway rated covers: 16,000 lb. capacity.
7. For buried applications only.

ENGINEER SPECIFICATION GUIDE

Striem Oil Reserve™ oil/sand separator model OS-500-OMAHA shall be lifetime guaranteed and made in USA of High Density Polyethylene. Separator shall be furnished for below grade installation, with field adjustable riser system, and vent connections. Separator flow rate shall be 314 GPM. Separator oil capacity shall be 85 gallons. Sand capacity shall be 162 gallons. Covers shall provide water/gas-tight seal and have a maximum 16,000 lbs. load capacity.



TOP VIEW

Directions: Complete steps 1-3 and submit signed with purchase order.

1. Connections

Inlet / Outlet	Size
<input type="checkbox"/> Plain End	<input type="checkbox"/> 4"
<input type="checkbox"/> Male Thread	<input type="checkbox"/> 6"

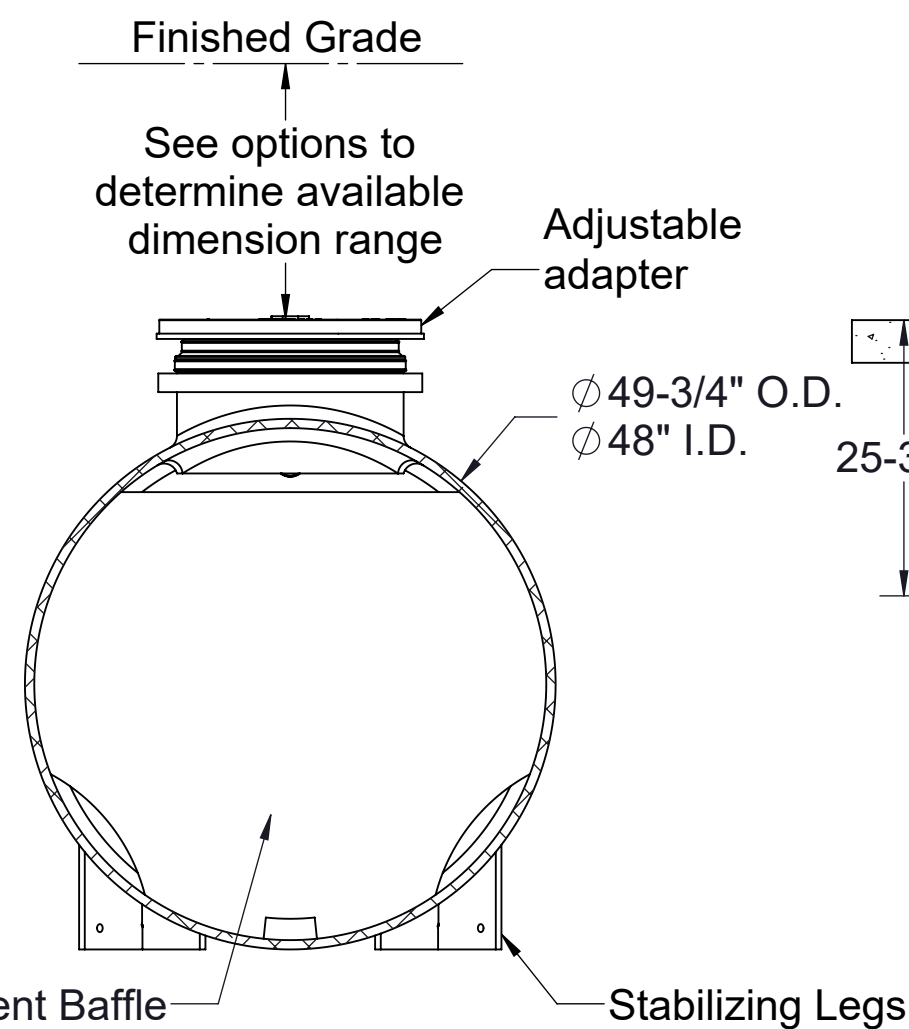
2. Riser Options

- Included: 0" - 5"**
- SR24 (3): 5" - 24"
 - LR24 (3): 24" - 39"
 - SR24 (6): 39" - 43"
 - SR24 (3) + LR24 (3): 43" - 58"
 - LR24 (6): 58" - 72"
 - SR24 (3) + LR24 (6): 72" - 90"
 - LR24 (9): 90" - 106"
- OR -**
- CPRK (3): 11" - 106"
 - Corrugated Pipe Riser Kit.
 - 18" diameter corrugated pipe by others.
 - See CPRK specification for more detail.

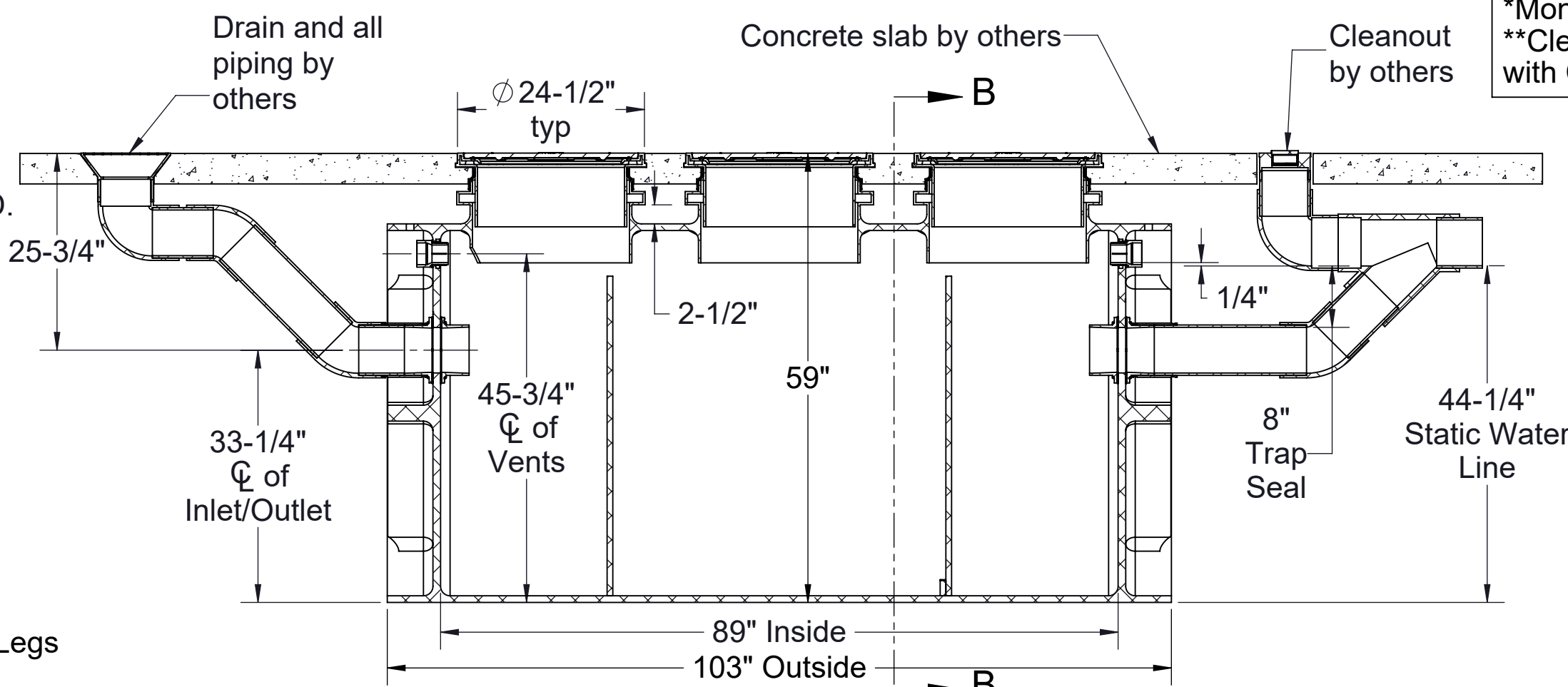
3. Additional Options

- HDK-3: High Water Table Hold Down Kit
- C24-HP (3): H2O Rated Pickable Cast Iron Covers
- SS: Slick Stick™ Oil Level Monitoring System*
- CS3: Clean Sweep Coalescing Media**

*Monitoring system will raise covers by 3".
 **Clean Sweep Coalescing Media not compatible with CPRK



SECTION B-B



SECTION A-A

Signature of Approval: _____
 Company: _____
 Date of Approval: _____
 Specifying Engineer: _____
 Engineering Firm: _____

PO IS NON-CANCELABLE
 ORDER IS NON-RETURNABLE

MODEL NUMBER: OS-500-OMAHA			
DESCRIPTION: OMAHA TYPE 1 & 2 INTERCEPTOR			
DWG BY: MJ	DATE: 05/04/2022	REV: 0	ECO:

SPECIFICATION SHEET

Striem
 3100 Brinkerhoff
 Kansas City, KS 66115
 Tel: 913-222-1500
 orders@striemco.com
 www.striemco.com



Made in the U.S.A

PROPRIETARY AND CONFIDENTIAL
 THE INFORMATION CONTAINED IN THIS DRAWING IS THE SOLE PROPERTY OF STRIEM, LLC. ANY REPRODUCTION IN PART OR AS A WHOLE WITHOUT THE WRITTEN PERMISSION OF STRIEM, LLC. IS PROHIBITED.