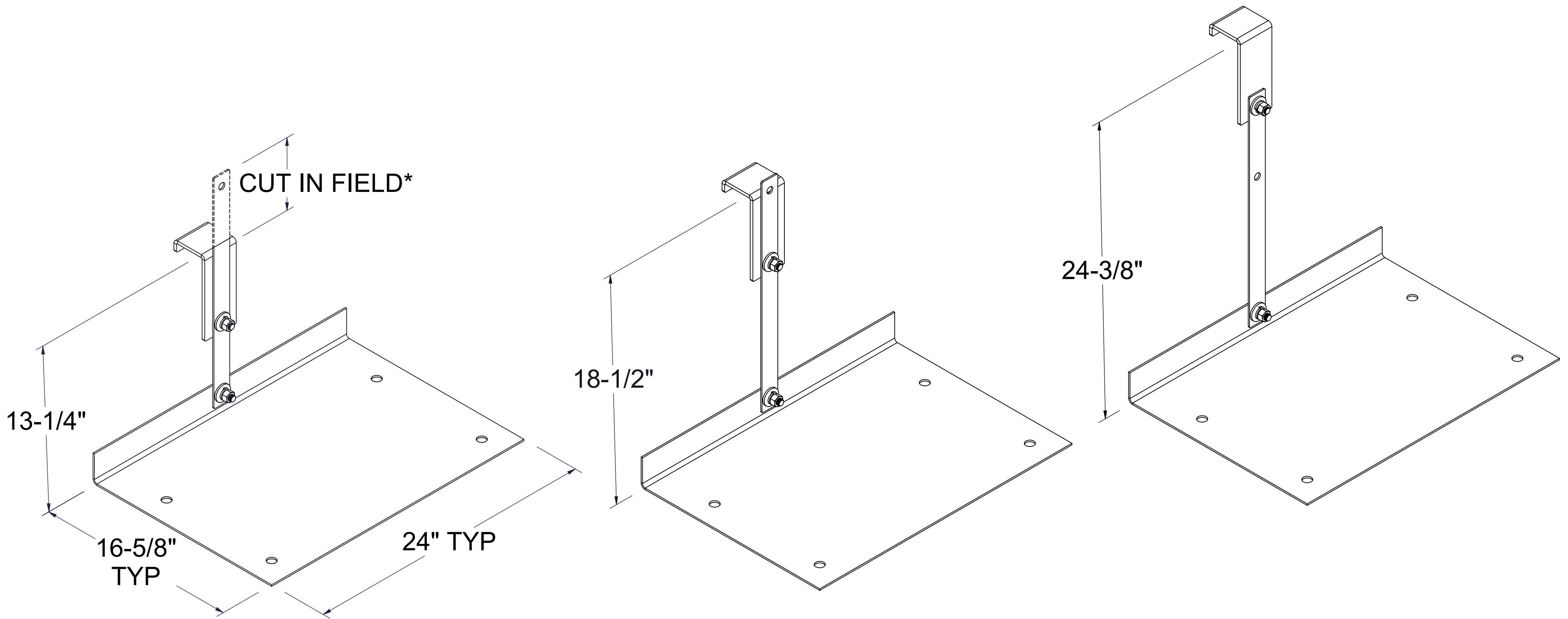


SPECIFICATIONS

1. 11 GAUGE (304-2B) STAINLESS STEEL PLATE FOR BASE AND STRAP.
2. 1/4" x 3" (304-2B) STAINLESS STEEL PLATE FOR HOOK.
3. ALL STAINLESS STEEL FASTENERS.
4. WEIGHT: 39 lbs.



*To remove excess metal, use a 4" grinder with a metal cutoff wheel.

COMPATIBLE WITH:
OS-50
AA-L
PS-50-S
CB-50-S
CB-50-G
CB-50-SFL
LB-50
OCT-50

COMPATIBLE WITH:
OS-75
AA-XL
PS-125-S
CB-125-S
CB-125-G
CB-125-SFL
LB-125
OCT-125
FLI-125

COMPATIBLE WITH:
OS-100
PS-275-S
CB-275-S
CB-275-SFL
BB-275
LB-275
OCT-275
SI-UPC-1016
FLI-275

MODEL NUMBER:	HDK-2
DESCRIPTION:	HIGH WATER TABLE HOLD DOWN KIT
DWG BY: MJ	DATE: 06/23/2022 REV: ECO:

SPECIFICATION SHEET

Striem
 3100 Brinkerhoff
 Kansas City, KS 66115
 Tel: 913-222-1500
orders@striemco.com
www.striemco.com

Made in the U.S.A



PROPRIETARY AND CONFIDENTIAL

THE INFORMATION CONTAINED IN THIS DRAWING IS THE SOLE PROPERTY OF STRIEM, LLC. ANY REPRODUCTION IN PART OR AS A WHOLE WITHOUT THE WRITTEN PERMISSION OF STRIEM, LLC. IS PROHIBITED.