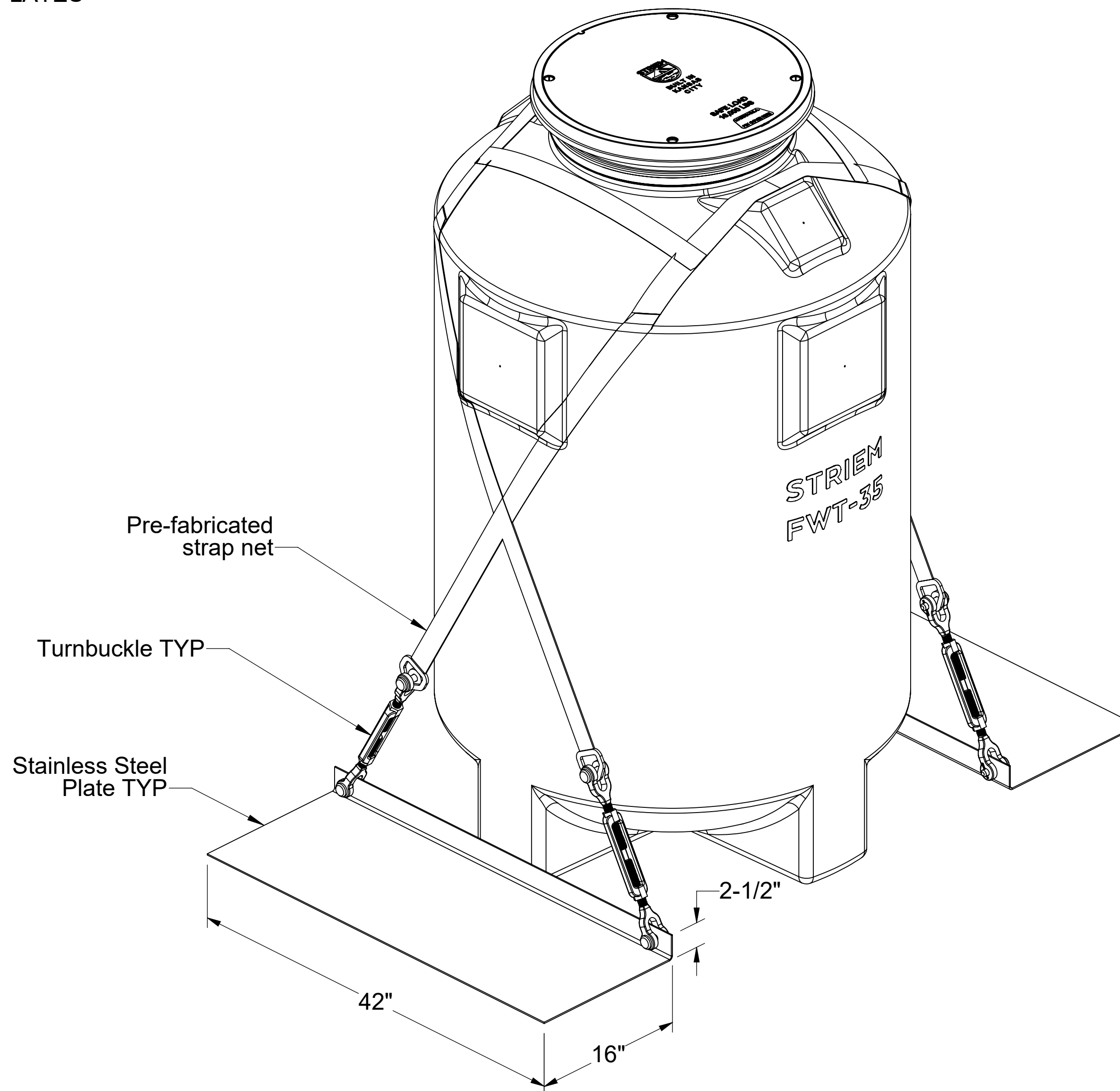


SPECIFICATIONS

1. DROP FORGED HOT DIPPED GALVANIZED TURNBUCKLES: 3500 LB RATED EACH.
2. PRE-FABRICATED STRAP NET WITH D-RINGS : 1500 LB RATED.
3. 10GA STAINLESS STEEL PLATES

HDK-10 INCLUDES	
QTY	DESCRIPTION
4	TURNBUCKLES
1	PRE-FABRICATED STRAP NET
2	STAINLESS STEEL PLATES



MODEL NUMBER: HDK-10	
DESCRIPTION: HIGH WATER TABLE HOLD DOWN KIT FOR FWT-35	
DWG BY: WLF	DATE: 7/19/22
REV:	ECO:

SPECIFICATION SHEET

Striem
 3100 Brinkerhoff
 Kansas City, KS 66115
 Tel: 913-222-1500
 orders@striemco.com
 www.striemco.com



Made in the U.S.A

PROPRIETARY AND CONFIDENTIAL

THE INFORMATION CONTAINED IN THIS DRAWING IS THE SOLE PROPERTY OF STRIEM, LLC. ANY REPRODUCTION IN PART OR AS A WHOLE WITHOUT THE WRITTEN PERMISSION OF STRIEM, LLC. IS PROHIBITED.