

**SPECIFICATIONS**

1. Plain End inlet/outlets, C24-M cover standard.
2. Filter Basket solids capacity: 4 gal.
3. Screen perforations:  $\phi$  1/4" openings.
4. Unit weight w/ standard cover: 65 lbs.
5. Maximum operating temperature 140°F continuous.

**NOTES**

1. Cover placement allows full access to tank for proper maintenance.
2. Removable basket lid allows for easy maintenance and full access to the solids volume.
3. Basket inserts in one orientation.
4. Basket allows for sufficient flow in the presence of solids, limiting the chance for a backup.
5. The optional low outlet allows for static water level to remain below the basket. This keeps the basket dry during maintenance and also creates a reservoir to handle temporary flow surge.
6. Handle may be extended to ensure ease of basket removal when risers are in use.

**ENGINEER SPECIFICATION GUIDE**

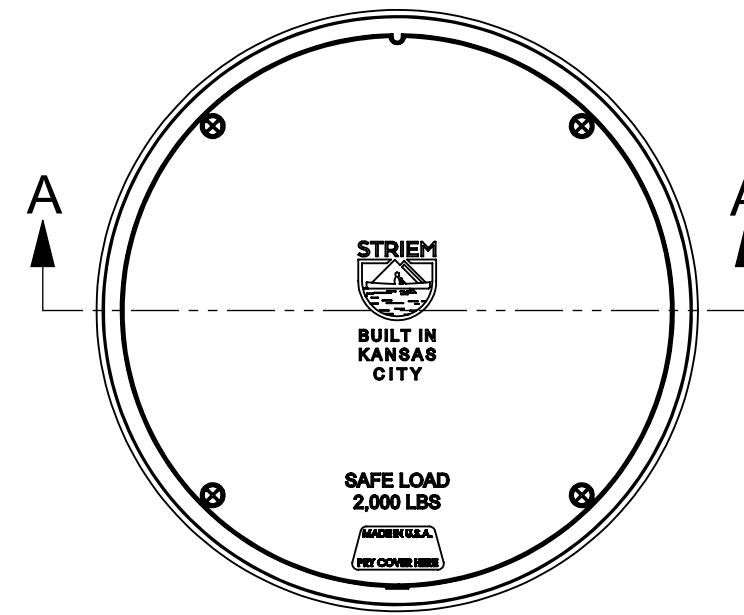
Striem Aardvark solids interceptor shall be lifetime guaranteed and made in the USA. Interceptor shall be constructed of polyethylene. Interceptor shall be furnished for above- or below-grade installation. Field-adjustable riser system is available as an option to bring manhole covers to grade. Interceptor shall have removable, corrosion-resistant filter basket. Interceptor shall be equipped with high and low outlet options. Filter basket solids capacity shall be 4 gallons. Cover shall be water/gas-tight with a minimum 2,000 lbs. load capacity. Interceptor shall be certified to IAPMO IGC 167-2011ae2.

**OPTIONS**

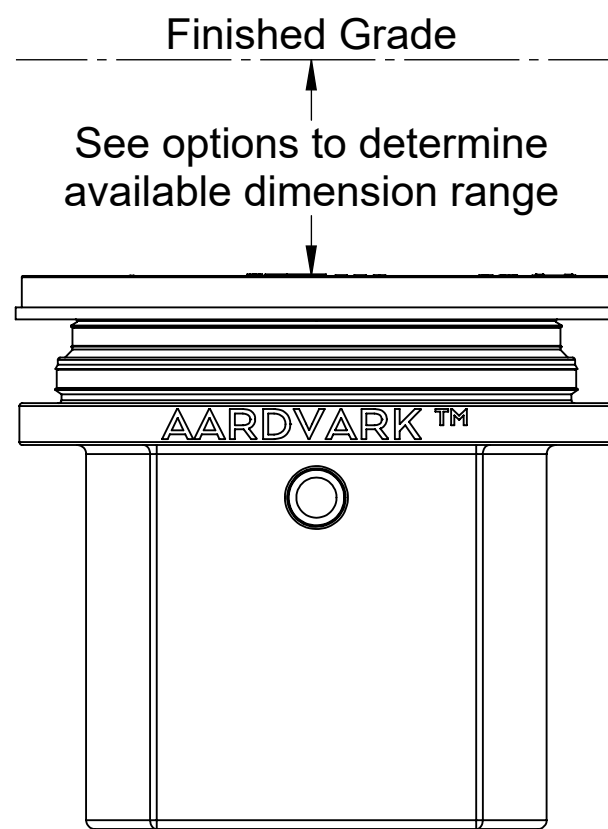
- Model**
- AA-2: 2" Plain End Connections
  - AA-3: 3" Plain End Connections
  - AA-4: 4" Plain End Connections
  - AA-6: 6" Plain End Connections
- SELECTION  
REQUIRED

- Riser Options**
- From Factory:** Up to 5"
- Up to 24": SR-24
  - Up to 39": LR-24

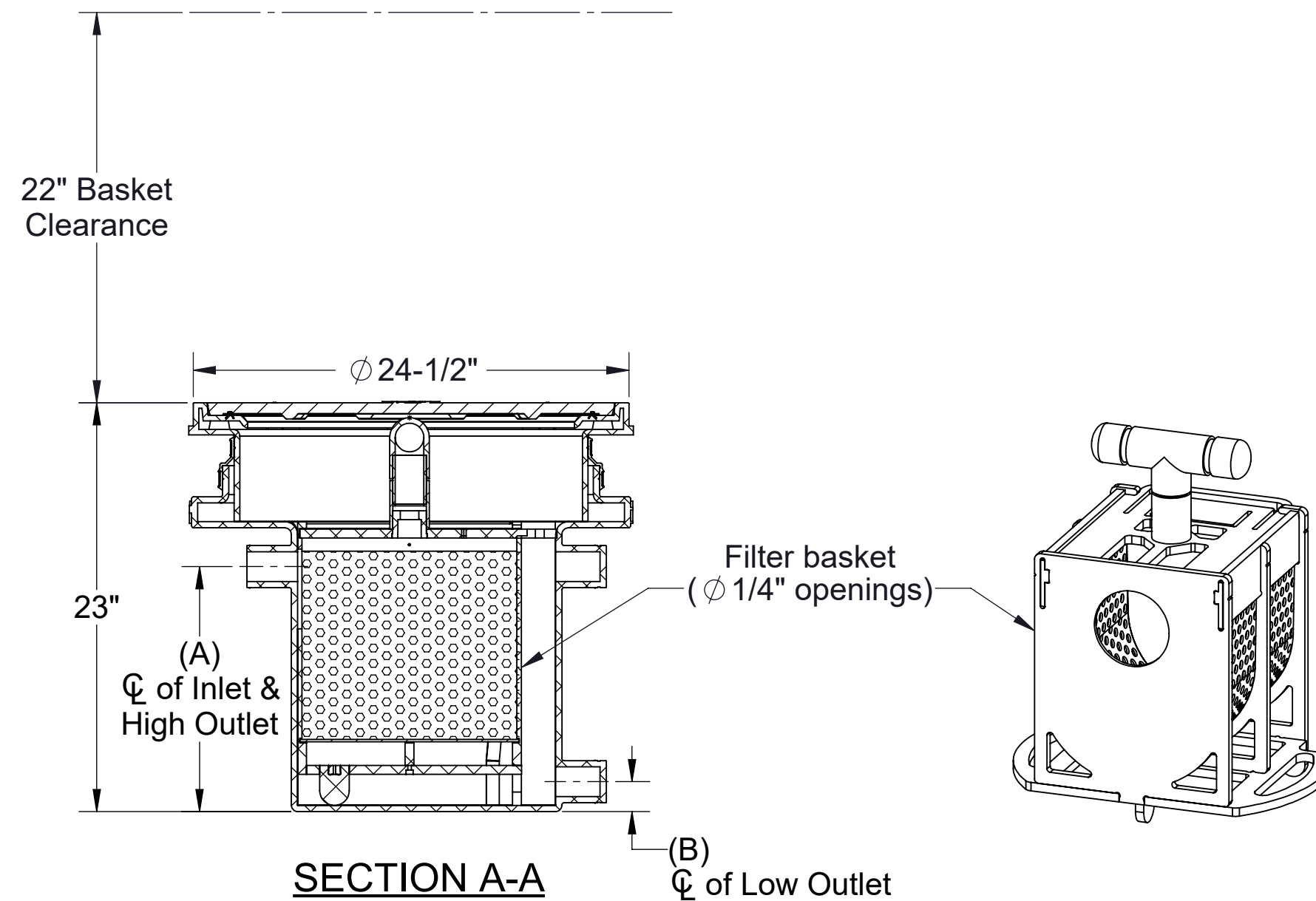
- Additional Options**
- C24-H: 16,000 lbs. Rated Bolted Composite Cover
  - C24-HP: H20 Rated Pickable Cast Iron Cover
  - Anchor Flange: High Water Table Anchor Flange\*
- \*Anchor flange will raise overall height by 3/4"



**TOP VIEW**



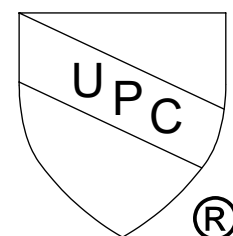
**END VIEW**



**SECTION A-A**



US Patent No.  
US10786761B2



PO IS NON-CANCELABLE  
ORDER IS NON-RETURNABLE

**PROPRIETARY AND CONFIDENTIAL**  
THE INFORMATION CONTAINED IN THIS DRAWING IS THE SOLE PROPERTY OF STRIEM, LLC.  
ANY REPRODUCTION IN PART OR AS A WHOLE WITHOUT THE WRITTEN PERMISSION OF STRIEM, LLC. IS PROHIBITED.

MODEL	FLOW RATE	A	B
AA-2	35 GPM	13-7/8"	1-3/4"
AA-3	50 GPM	13-1/4"	2-1/4"
AA-4	75 GPM	12-3/4"	2-3/4"
AA-6	100 GPM	11-3/4"	3-7/8"

**MODEL NUMBER:** AA-X

**DESCRIPTION:**  
AARDVARK™  
BASKET STYLE SOLIDS INTERCEPTOR

**DWG BY:** ENG    **DATE:** 11/13/2023    **REV:** 0

**SPECIFICATION SHEET**

Striem  
Kansas City, KS  
Tel: 913-222-1500  
orders@striemco.com  
www.striemco.com

Made in the U.S.A

