

SPECIFICATIONS

1. Plain End inlet/outlets, C24-M cover standard.
2. Filter Basket solids capacity: 4 gal.
3. Screen perforations: ϕ 1/4" openings.
4. Unit weight w/ standard cover: 65 lbs.
5. Maximum operating temperature 140°F continuous.

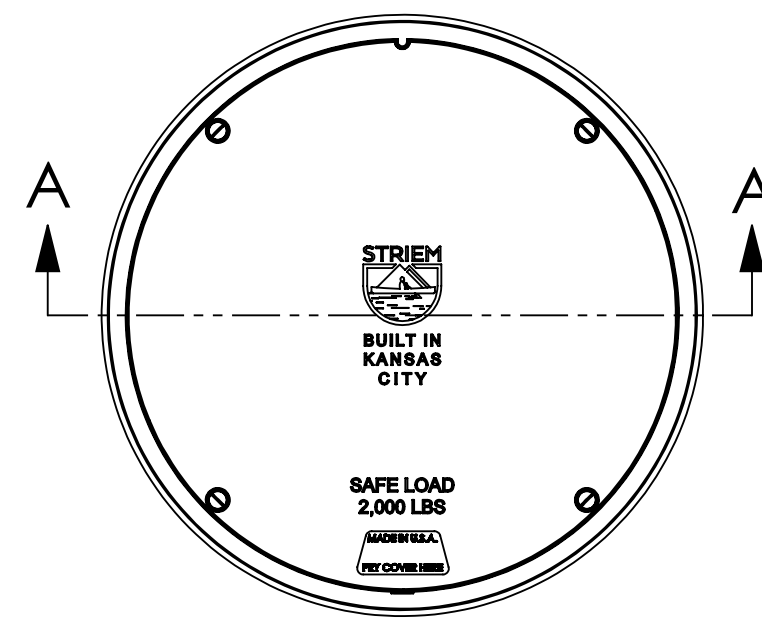
NOTES

1. Cover placement allows full access to tank for proper maintenance.
2. Removeable basket lid allows for easy maintenance and full access to the solids volume.
3. Basket inserts in one orientation.
4. All-perforated basket allows for sufficient flow in the presence of solids, limiting the chance for a backup.
5. Optional low outlet: Allows for the static water level to remain below the basket. This keeps the basket dry during maintenance, and also creates a reservoir to handle temporary flow surges.
6. Handle may be extended to ensure ease of basket removal when risers are in use.

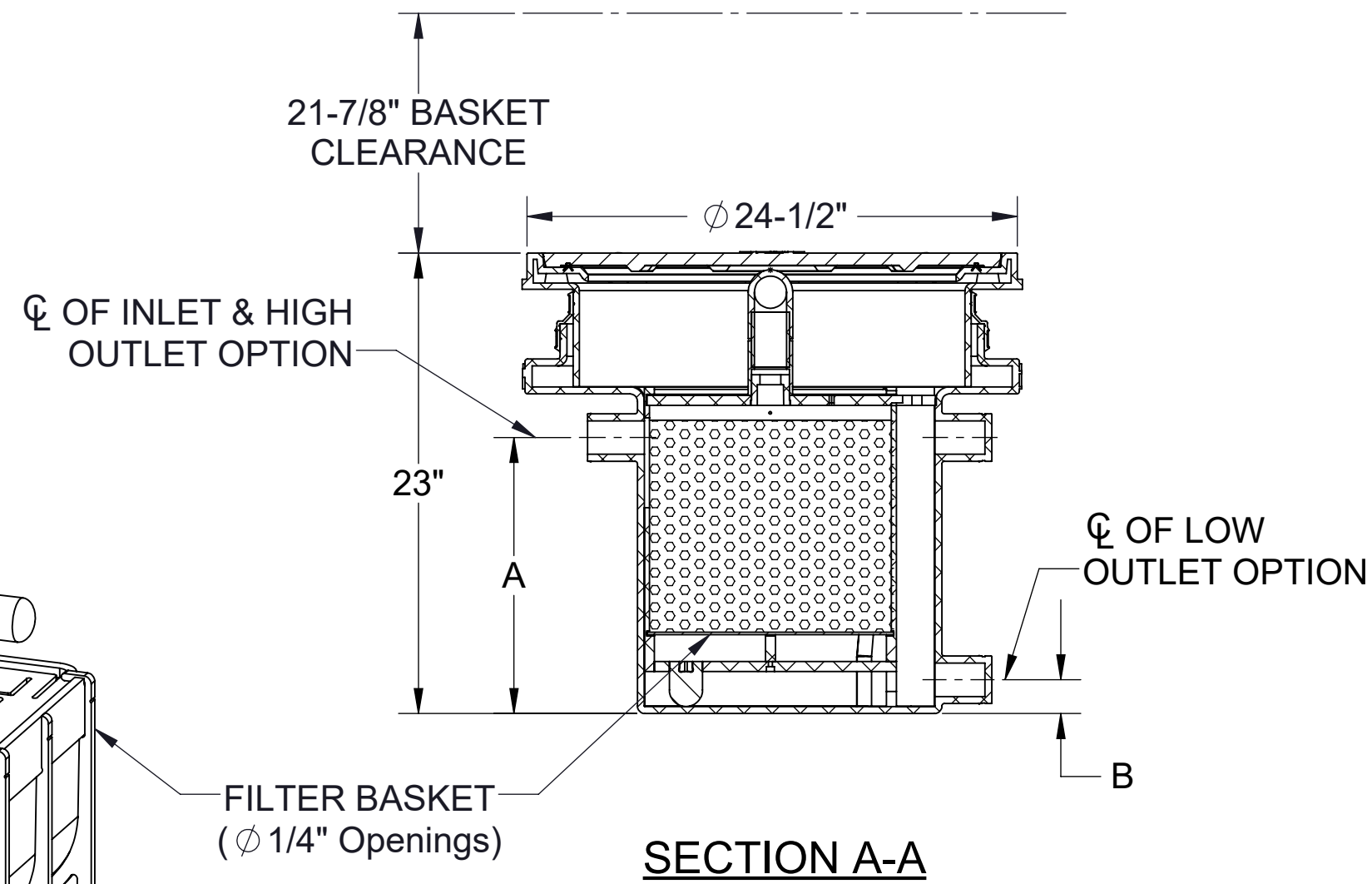
ENGINEER SPECIFICATION GUIDE

Striem Aardvark™ solids interceptor shall be lifetime guaranteed and made in the USA. Interceptor shall be constructed of polyethylene. Interceptor shall be furnished for above- or below-grade installation. Field-adjustable riser system is available as an option to bring manhole covers to grade. Interceptor shall have removable, corrosion-resistant filter basket. Interceptor shall be equipped with high and low outlet options. Interceptor shall be equipped with high and low outlet options. Filter basket solids capacity shall be 4 gallons. Cover shall be water/gas-tight with a minimum 2,000 lbs. load capacity. Interceptor shall be certified to IAPMO IGC 167-2011ae2.

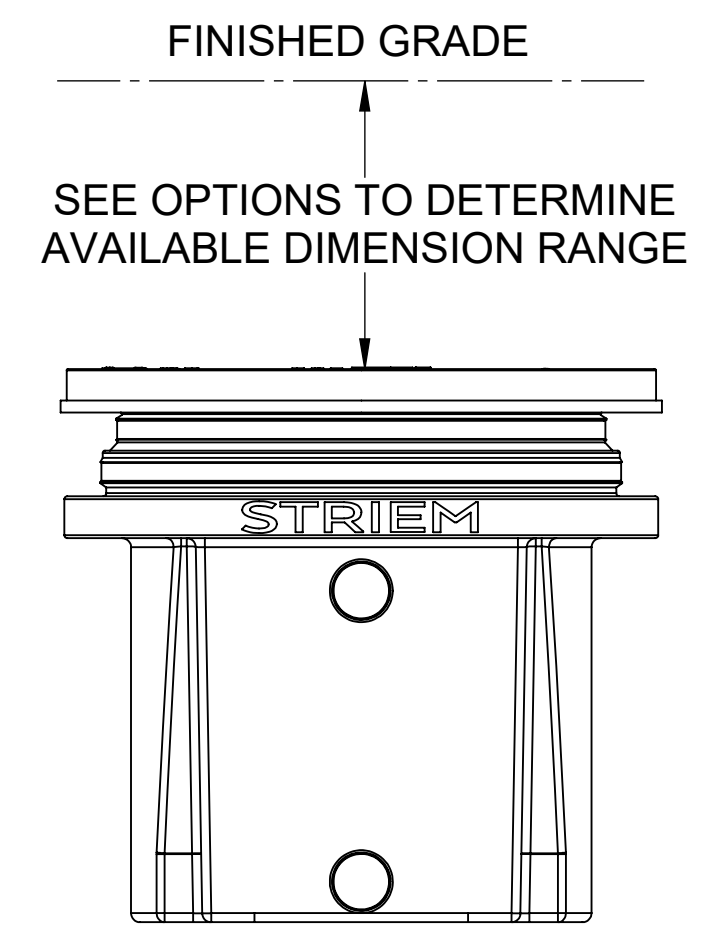
OPTIONS	
Model	
<input type="checkbox"/>	AA-2: 2" Plain End Connections
<input type="checkbox"/>	AA-3: 3" Plain End Connections
<input type="checkbox"/>	AA-4: 4" Plain End Connections
<input type="checkbox"/>	AA-6: 6" Plain End Connections
Riser Options	
From Factory: Up to 5"	
<input type="checkbox"/>	Up to 24": SR-24
<input type="checkbox"/>	Up to 39": LR-24
Additional Options	
<input type="checkbox"/>	C24-H: 16,000 lbs. Rated Bolted Composite Cover
<input type="checkbox"/>	C24-HP: H20 Rated Pickable Cast Iron Cover
<input type="checkbox"/>	CC24: Integral Membrane Clamping Collar Kit
<input type="checkbox"/>	Anchor Flange: High Water Table Anchor Flange



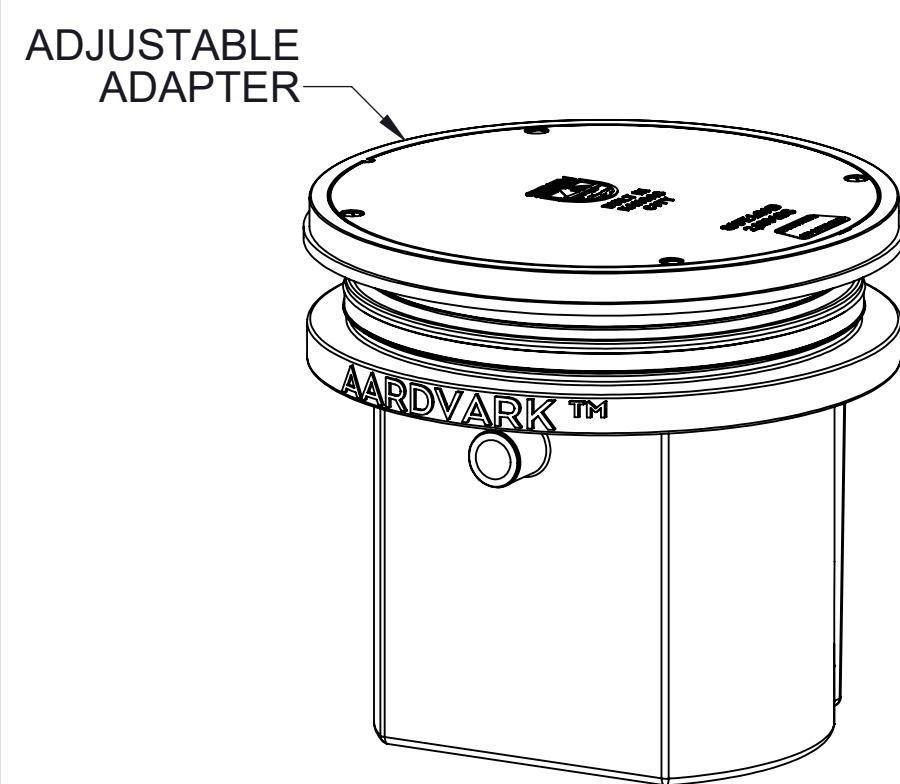
TOP VIEW



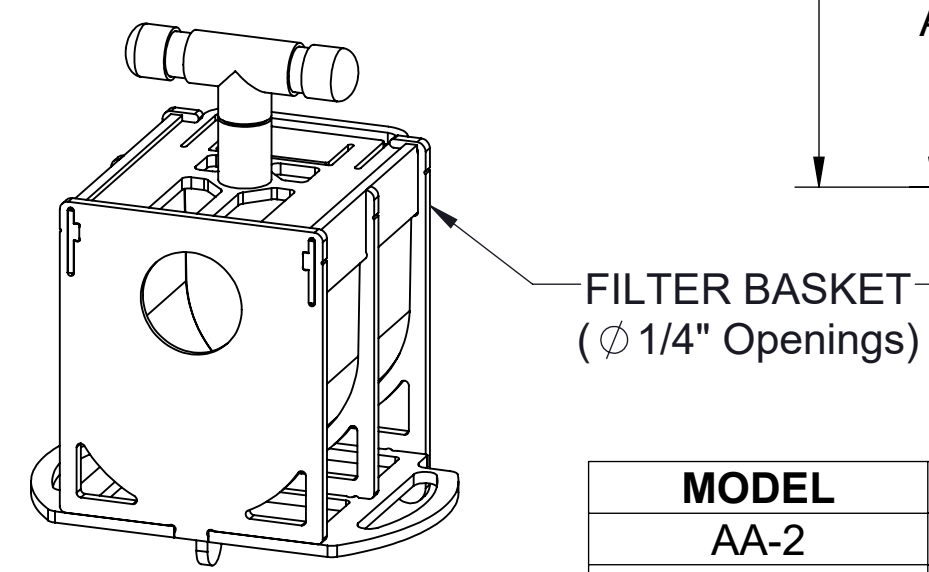
SECTION A-A



OUTLET END VIEW



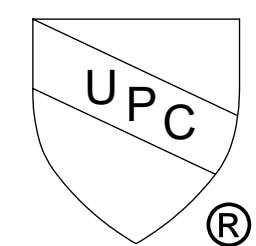
ISOMETRIC VIEW



MODEL	FLOW RATE	A	B
AA-2	35 GPM	13-7/8"	1-3/4"
AA-3	50 GPM	13-1/4"	2-1/4"
AA-4	75 GPM	12-3/4"	2-3/4"
AA-6	100 GPM	11-3/4"	3-7/8"

Signature of Approval: _____
 Company: _____
 Date of Approval: _____
 Specifying Engineer: _____
 Engineering Firm: _____

US Patent No.
US10786761B2



MODEL NUMBER:	AA-X
DESCRIPTION:	AARDVARK BASKET-STYLE SOLIDS INTERCEPTOR
DWG BY:	ENG
DATE:	2/27/2023
REV:	0

SPECIFICATION SHEET

Striem
 3100 Brinkerhoff
 Kansas City, KS 66115
 Tel: 913-222-1500
 orders@striemco.com
 www.striemco.com



Made in the U.S.A

PROPRIETARY AND CONFIDENTIAL
 THE INFORMATION CONTAINED IN THIS DRAWING IS THE SOLE PROPERTY OF STRIEM, LLC.
 ANY REPRODUCTION IN PART OR AS A WHOLE WITHOUT THE WRITTEN PERMISSION OF STRIEM, LLC. IS PROHIBITED.