

SPECIFICATIONS

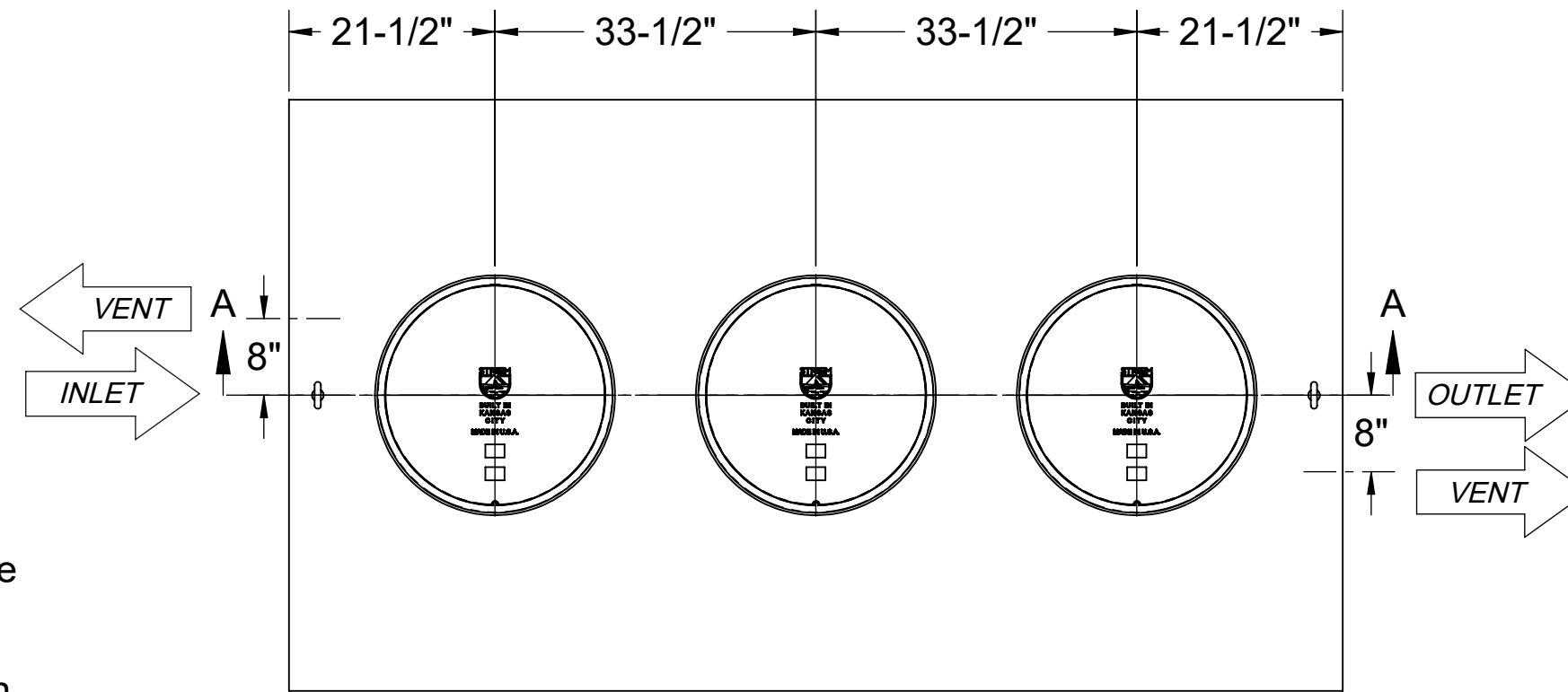
1. 6" Plain End inlet/outlet shown, 3" Plain End vents, C24-HP covers standard.
2. Liquid capacity: 1000 gallons (133 cu. ft.).
3. Solids capacity: 880 gallons.
4. Unit weigh w/ standard covers: 1364 lbs.; w/ composite covers: 1184 lbs.
5. Maximum operating temperature: 140°F continuous.

NOTES

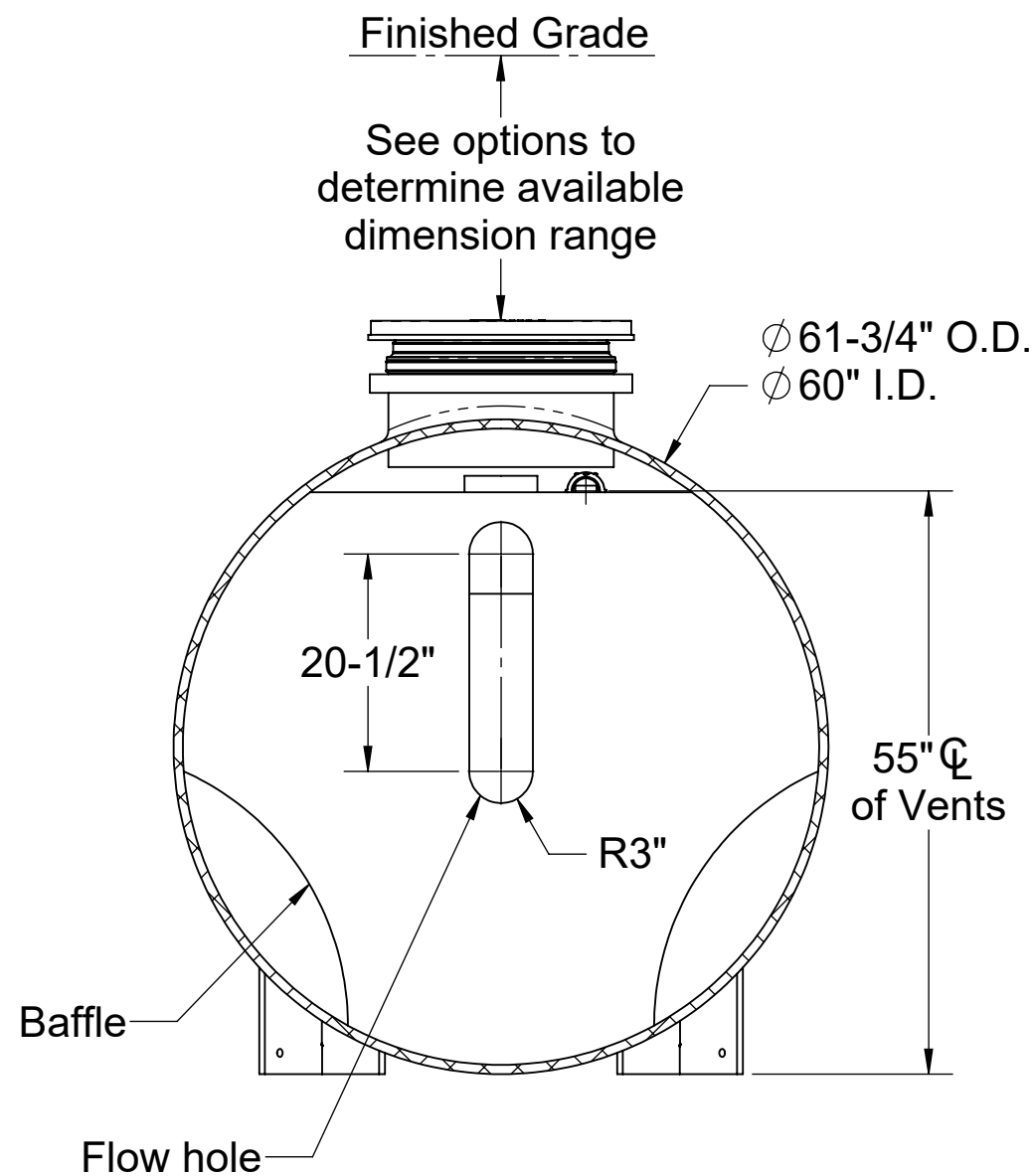
1. For gravity drainage applications only.
2. Do not use for pressure applications.
3. Cover placement allows full access to tank for proper maintenance.
4. Lifting lug set for easy install.

ENGINEER SPECIFICATION GUIDE

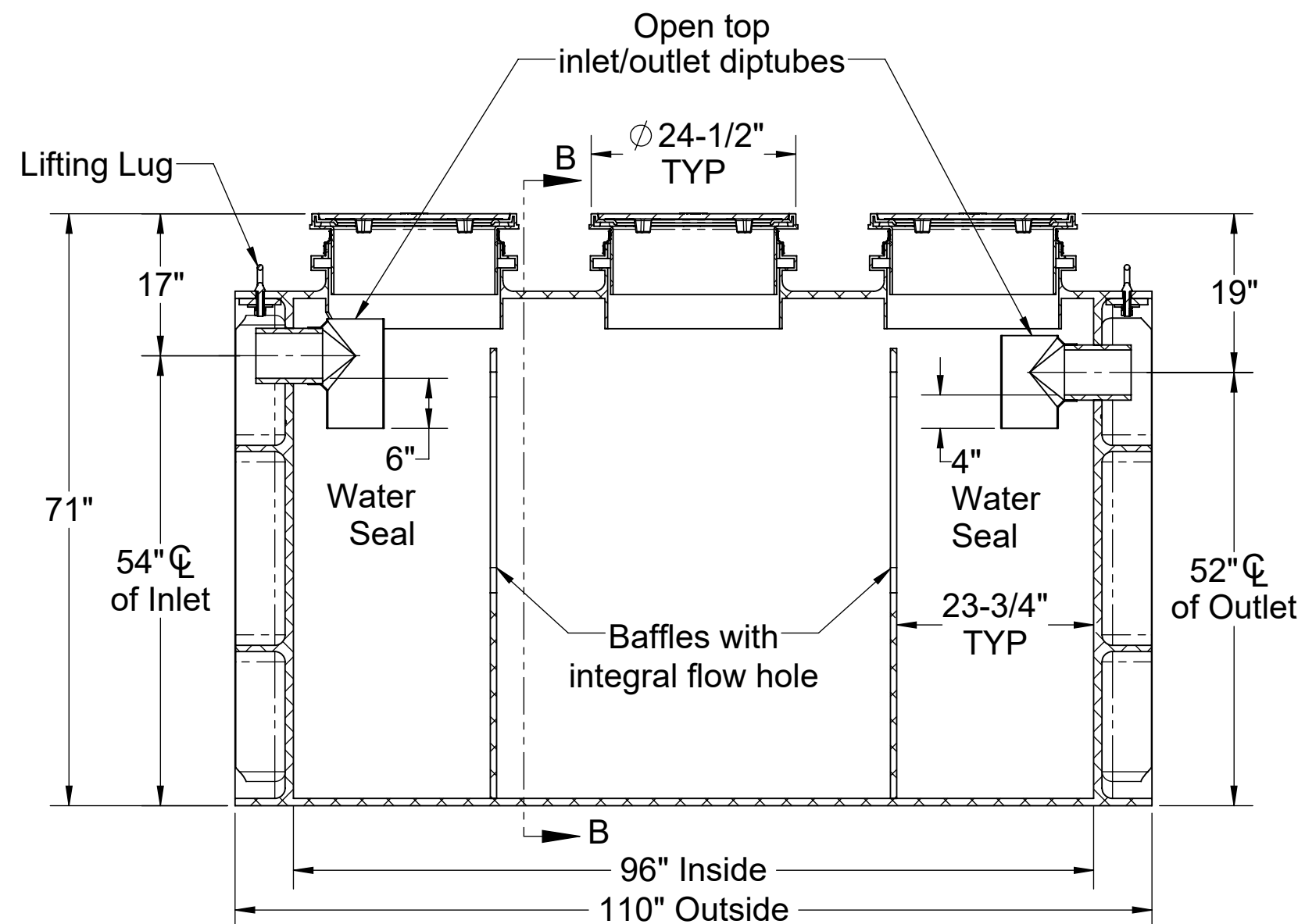
Striem solids interceptor model CB-1000-SFL shall be lifetime guaranteed and made in the USA. Interceptor shall be constructed of polyethylene with 7/8" nominal wall thickness. Interceptor shall be manufactured for below-grade installation. Field-adjustable riser system is available as an option to bring manhole covers to grade. Interceptor liquid holding capacity shall be 1000 gallons and solids capacity shall be 880 gallons. Covers shall be H20 rated pickable cast iron.



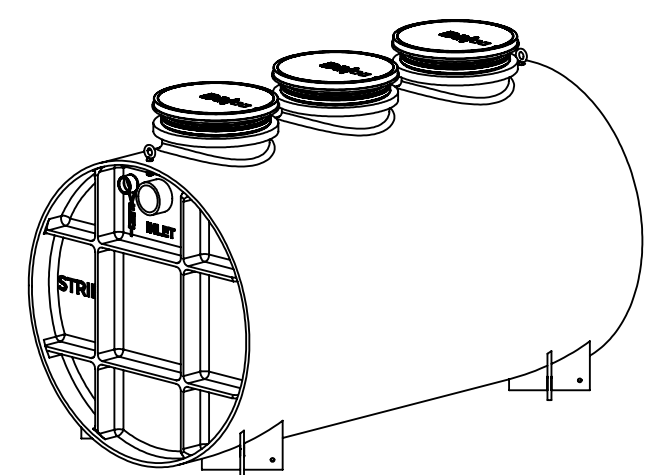
TOP VIEW



SECTION B-B



SECTION A-A



PO IS NON-CANCELABLE
ORDER IS NON-RETURNABLE

PROPRIETARY AND CONFIDENTIAL
THE INFORMATION CONTAINED IN THIS DRAWING IS THE SOLE PROPERTY OF STRIEM, LLC.
ANY REPRODUCTION IN PART OR AS A WHOLE WITHOUT THE WRITTEN PERMISSION OF STRIEM, LLC. IS PROHIBITED.

OPTIONS

Connection Types (Plain End Only)

Inlet

- 4"
- 6"

SELECTION REQUIRED

Riser Options

From Factory: 0" - 5"

- Up to 24": SR24 (3)
- Up to 39": LR24 (3)
- Up to 43": SR24 (6)
- Up to 58": SR24 (3) + LR24 (3)
- Up to 72": LR24 (6)
- Up to 90": SR24 (3) + LR24 (6)
- Up to 106": LR24 (9)

- OR -

- CPRK (3): 11" - 106" (See specification for more detail.)

Additional Options

- HDK-5: High Water Table Hold Down Kit
- C24-H (3): Highway rated bolted composite covers

MODEL NUMBER: CB-1000-SFL

DESCRIPTION:
POLYETHYLENE CATCH BASIN
WITH H20 RATED PICKABLE CAST IRON COVERS

DWG BY: ENG **DATE:** 7/27/2023 **REV:** 1

SPECIFICATION SHEET

Striem
Kansas City, KS
Tel: 913-222-1500
orders@striemco.com
www.striemco.com

Made in the U.S.A

