

**SPECIFICATIONS**

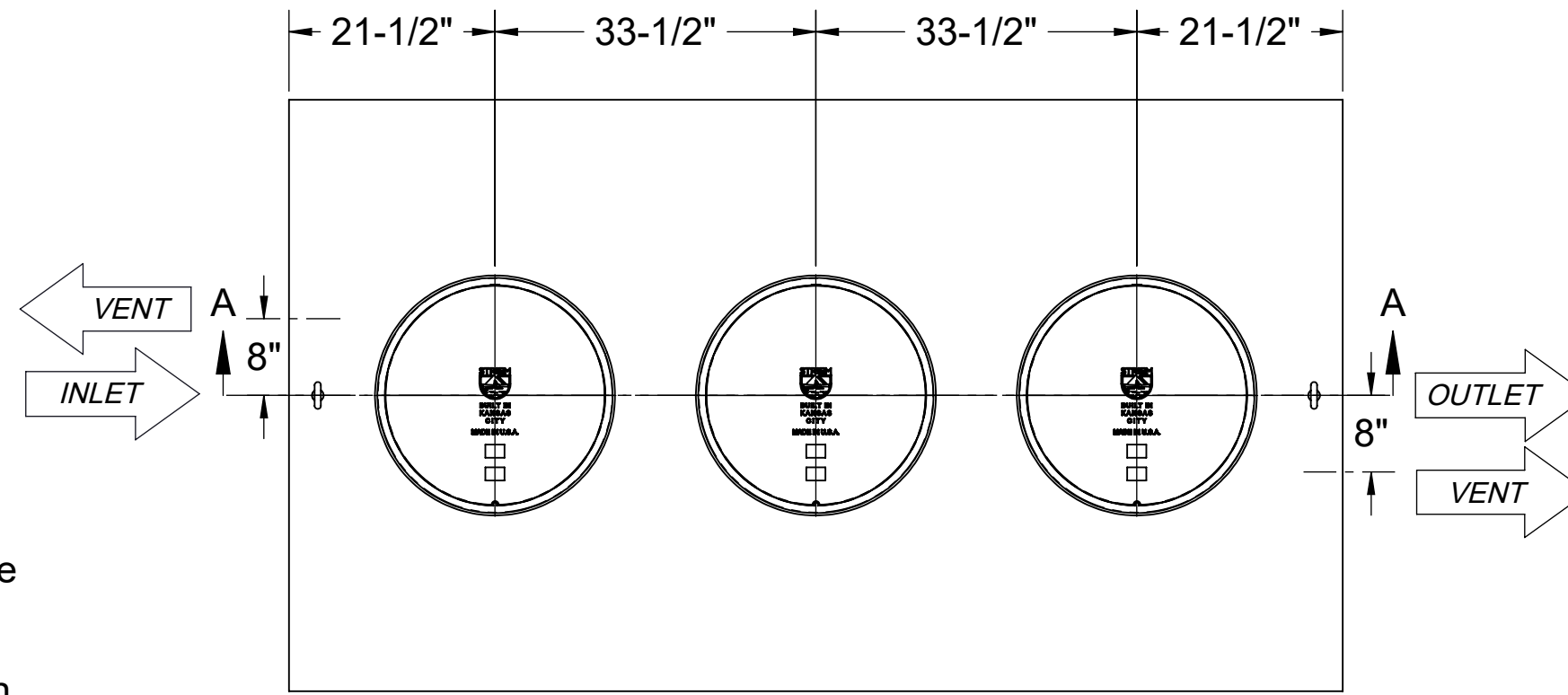
1. 6" Plain End inlet/outlet shown, 3" Plain End vents, C24-HP covers standard.
2. Liquid capacity: 1000 gallons (133 cu. ft.).
3. Solids capacity: 880 gallons.
4. Unit weigh w/ standard covers: 1364 lbs.; w/ composite covers: 1184 lbs.
5. Maximum operating temperature: 140°F continuous.

**NOTES**

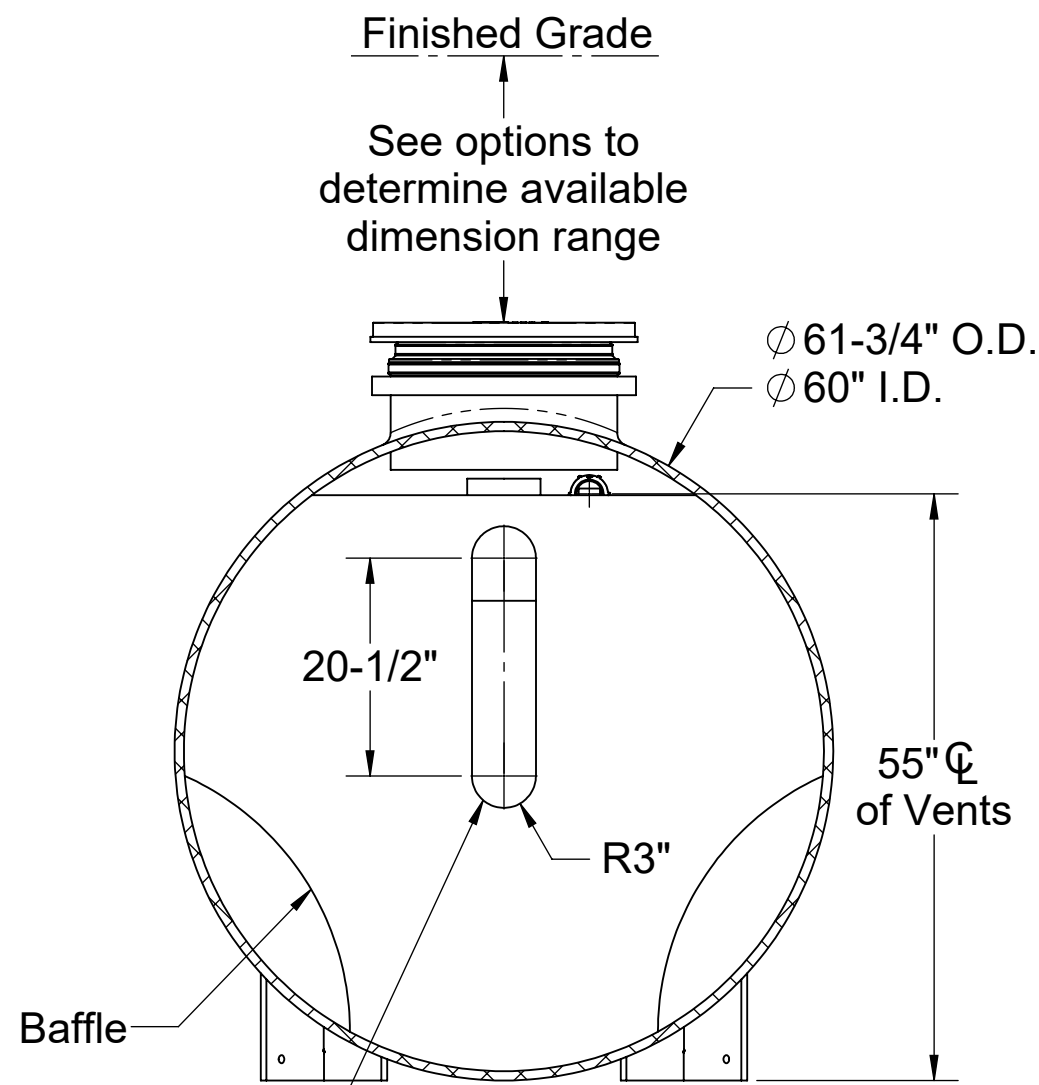
1. For gravity drainage applications only.
2. Do not use for pressure applications.
3. Cover placement allows full access to tank for proper maintenance.
4. Lifting lug set for easy install.

**ENGINEER SPECIFICATION GUIDE**

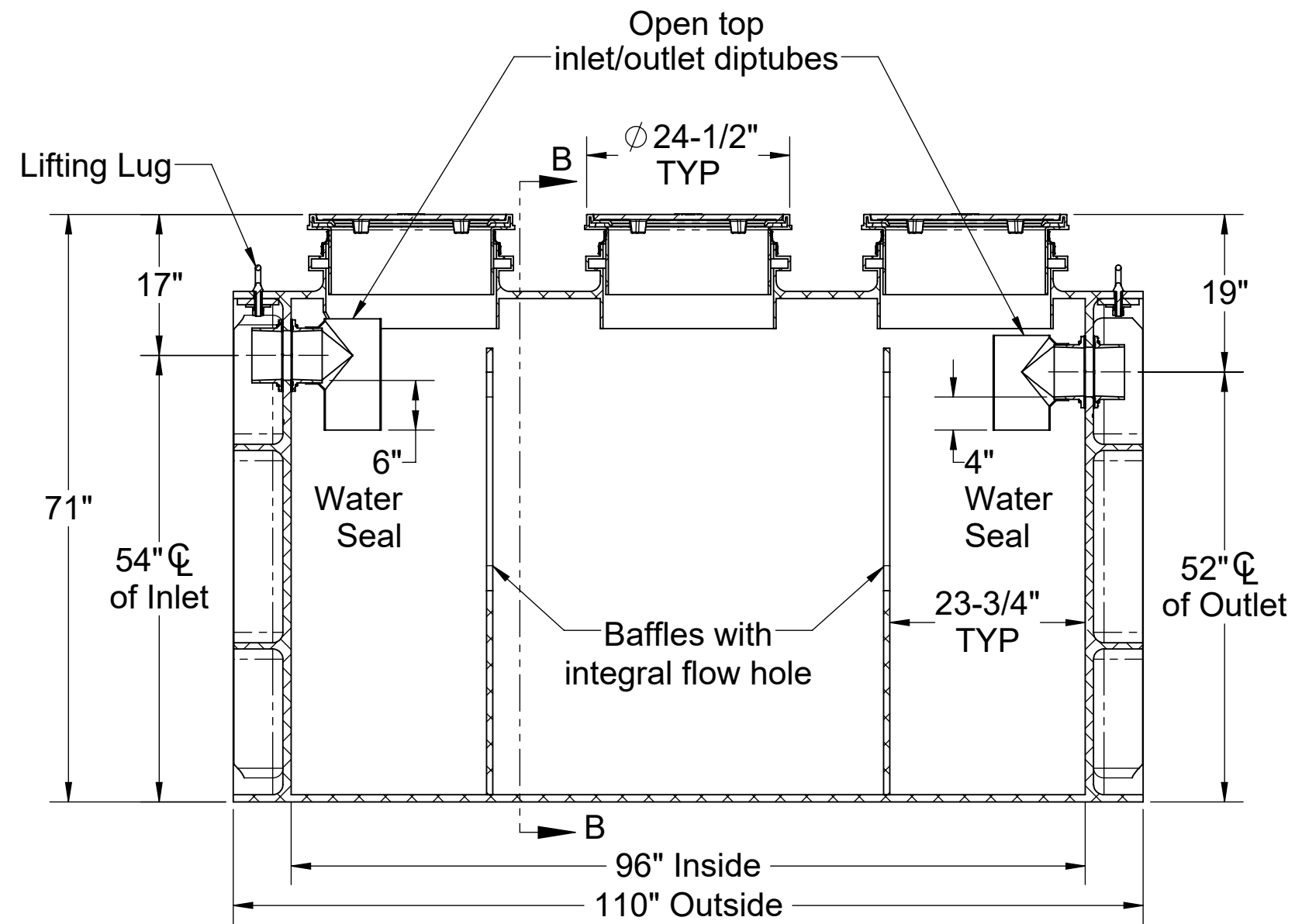
Striem solids interceptor model CB-1000-SFL shall be lifetime guaranteed and made in the USA. Interceptor shall be constructed of polyethylene with 7/8" nominal wall thickness. Interceptor shall be manufactured for below-grade installation. Field-adjustable riser system is available as an option to bring manhole covers to grade. Interceptor liquid holding capacity shall be 1000 gallons and solids capacity shall be 880 gallons. Covers shall be H20 rated pickable cast iron.



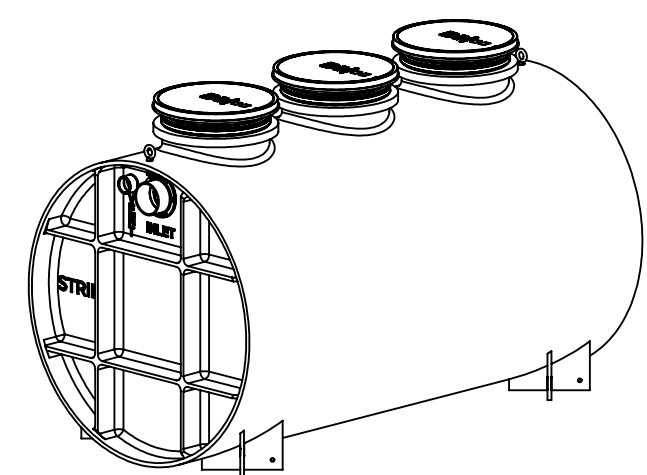
**TOP VIEW**



**SECTION B-B**



**SECTION A-A**



PO IS NON-CANCELABLE  
ORDER IS NON-RETURNABLE

PROPRIETARY AND CONFIDENTIAL  
THE INFORMATION CONTAINED IN THIS DRAWING IS THE SOLE PROPERTY OF STRIEM, LLC.  
ANY REPRODUCTION IN PART OR AS A WHOLE WITHOUT THE WRITTEN PERMISSION OF STRIEM, LLC. IS PROHIBITED.

**OPTIONS**

**Connection Types (Plain End Only)**

**Inlet**

- 4"
- 6"

SELECTION  
REQUIRED

**Riser Options**

**From Factory: 0" - 5"**

- Up to 24": SR24 (3)
- Up to 39": LR24 (3)
- Up to 43": SR24 (6)
- Up to 58": SR24 (3) + LR24 (3)
- Up to 72": LR24 (6)
- Up to 90": SR24 (3) + LR24 (6)
- Up to 106": LR24 (9)

- OR -

- CPRK (3): 11" - 106" (See specification for more detail.)

**Additional Options**

- HDK-5: High Water Table Hold Down Kit
- C24-H (3): Highway rated bolted composite covers

Signature: \_\_\_\_\_

Date: \_\_\_\_\_

Company: \_\_\_\_\_

Project: \_\_\_\_\_

**MODEL NUMBER:** CB-1000-SFL

**DESCRIPTION:**  
POLYETHYLENE CATCH BASIN  
WITH H20 RATED PICKABLE CAST IRON COVERS

**DWG BY:** ENG    **DATE:** 4/28/2023    **REV:** 0

**SPECIFICATION SHEET**

Striem  
Kansas City, KS  
Tel: 913-222-1500  
orders@striemco.com  
www.striemco.com

Made in the U.S.A

