

SPECIFICATIONS

1. 2" Plain End inlet/outlet standard.
2. Flow rate: 35 GPM.
3. Liquid capacity: 15 Gallons.
4. Solids capacity: 6 Gallons.
5. Unit weight: 30 lbs.
6. Maximum operating temperature 140 °F continuous.

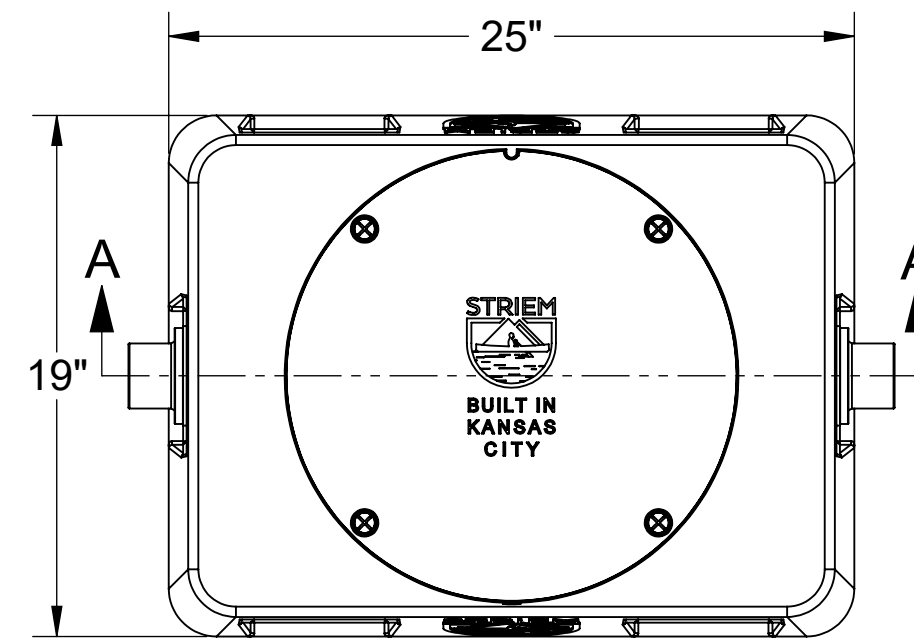
NOTES

1. For gravity drainage applications only.
2. Do not use for pressure applications.
3. Cover placement allows full access to tank for proper maintenance.
4. Diptube is removable to inspect or clean piping.

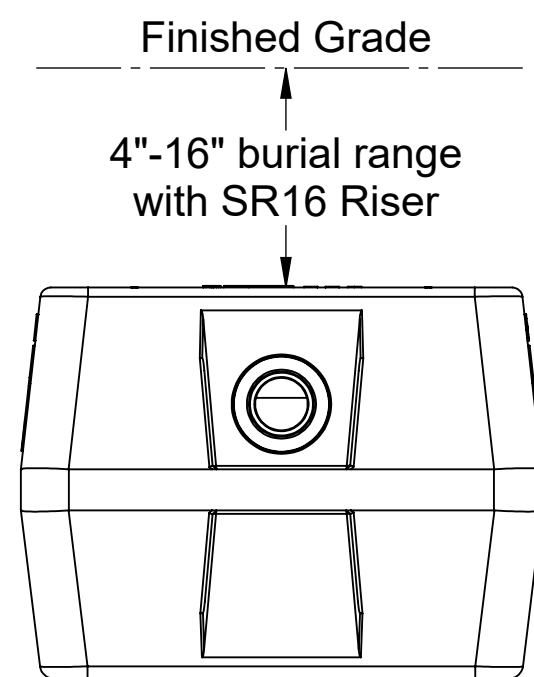
ENGINEER SPECIFICATION GUIDE

Striem solids interceptor model CB-15-SFL shall be lifetime guaranteed and made in the USA. Interceptor shall be constructed of polyethylene. Interceptor shall be manufactured for above- or below-grade installation. Field-adjustable riser system is available as an option to bring manhole cover to grade. Interceptor liquid holding capacity shall be 15 gallons and solids capacity shall be 6 gallons. Cover shall provide water/gas-tight seal and have a maximum 450 lbs. load capacity when unit is installed above-grade, and 2,500 lbs. when buried with SR16 Riser.

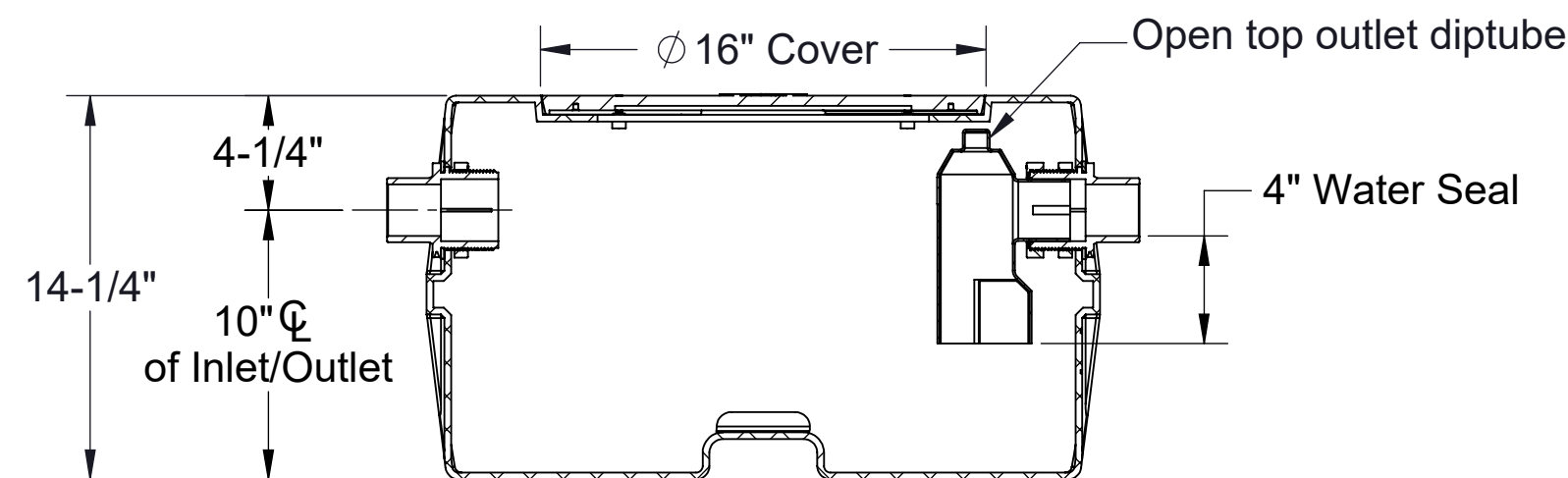
OPTIONS	
Connection Options (Plain End Only)	
Inlet / Outlet	
<input type="checkbox"/> 2"	
<input type="checkbox"/> 3"	
Additional Options	
<input type="checkbox"/> SR16 Riser: 4"-16" Burial Range	



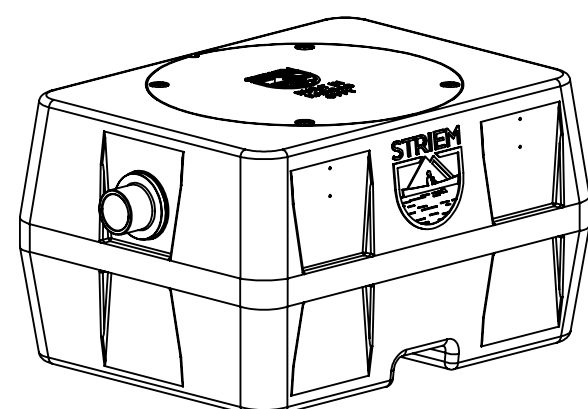
TOP VIEW



END VIEW



SECTION A-A



PROPRIETARY AND CONFIDENTIAL
 THE INFORMATION CONTAINED IN THIS DRAWING IS THE SOLE PROPERTY OF STRIEM, LLC.
 ANY REPRODUCTION IN PART OR AS A WHOLE WITHOUT THE WRITTEN PERMISSION OF STRIEM, LLC. IS PROHIBITED.

MODEL NUMBER:	CB-15-SFL	SPECIFICATION SHEET	
DESCRIPTION:	POLYETHYLENE CATCH BASIN SOLIDS INTERCEPTOR		Striem Kansas City, KS Tel: 913-222-1500 orders@striemco.com www.striemco.com Made in the U.S.A
DWG BY:	ENG	DATE: 11/14/2023	

