

**SPECIFICATIONS**

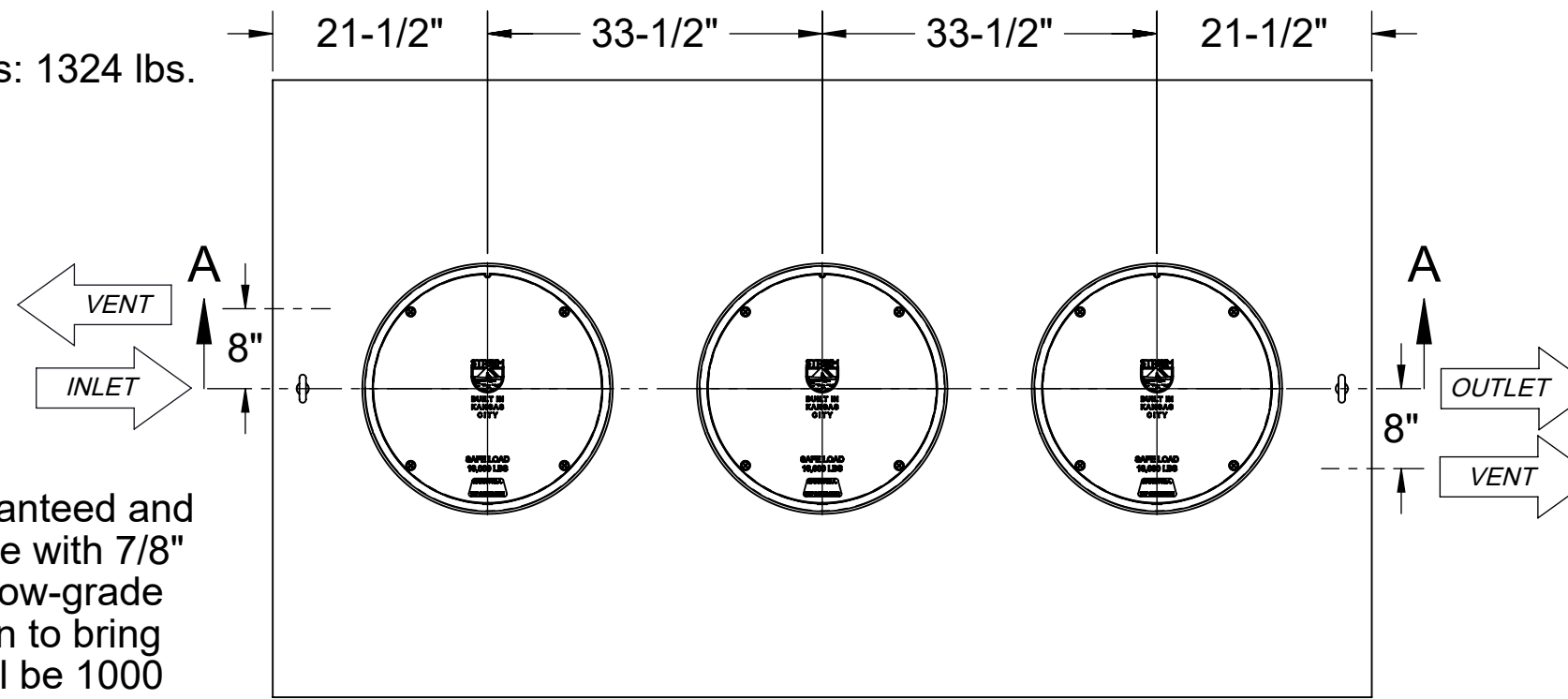
1. 6" Plain End inlet/outlet shown, 3" Plain End vents, C24-H covers standard.
2. Liquid capacity: 1000 gallons (133 cu. ft.).
3. Solids capacity: 477 gallons.
4. Unit weight w/ standard covers: 1144 lbs.; w/ cast iron covers: 1324 lbs.
5. Maximum operating temperature 140°F continuous.

**NOTES**

1. For gravity drainage applications only.
2. Do not use for pressure applications.
3. Cover placement allows full access to tank for proper maintenance.
4. Lifting lug set for easy install.

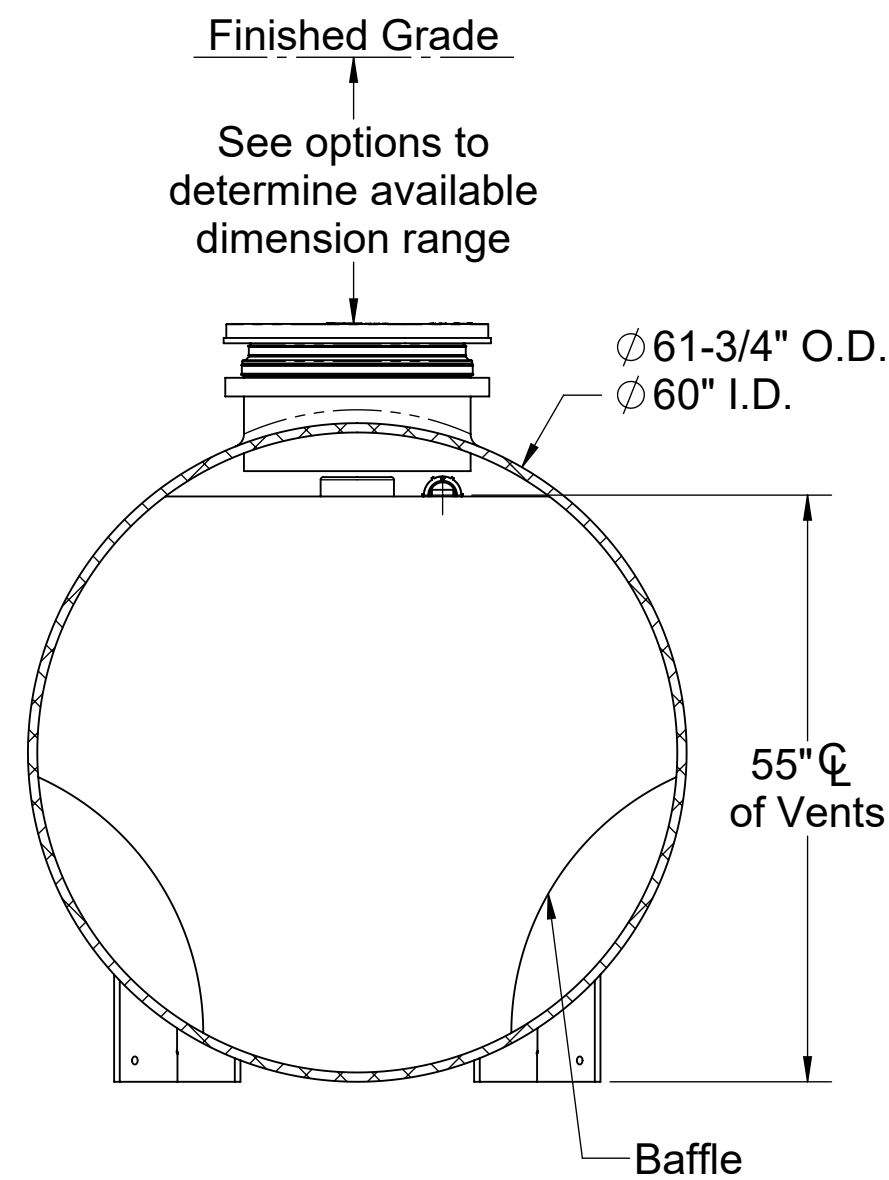
**ENGINEER SPECIFICATION GUIDE**

Striem solids interceptor model CB-1000-S shall be lifetime guaranteed and made in the USA. Interceptor shall be constructed of polyethylene with 7/8" nominal wall thickness. Interceptor shall be manufactured for below-grade installation. Field-adjustable riser system is available as an option to bring manhole covers to grade. Interceptor liquid holding capacity shall be 1000 gallons and solids capacity shall be 477 gallons. Covers shall provide water/gas-tight seal and have a maximum 16,000 lbs. load capacity.

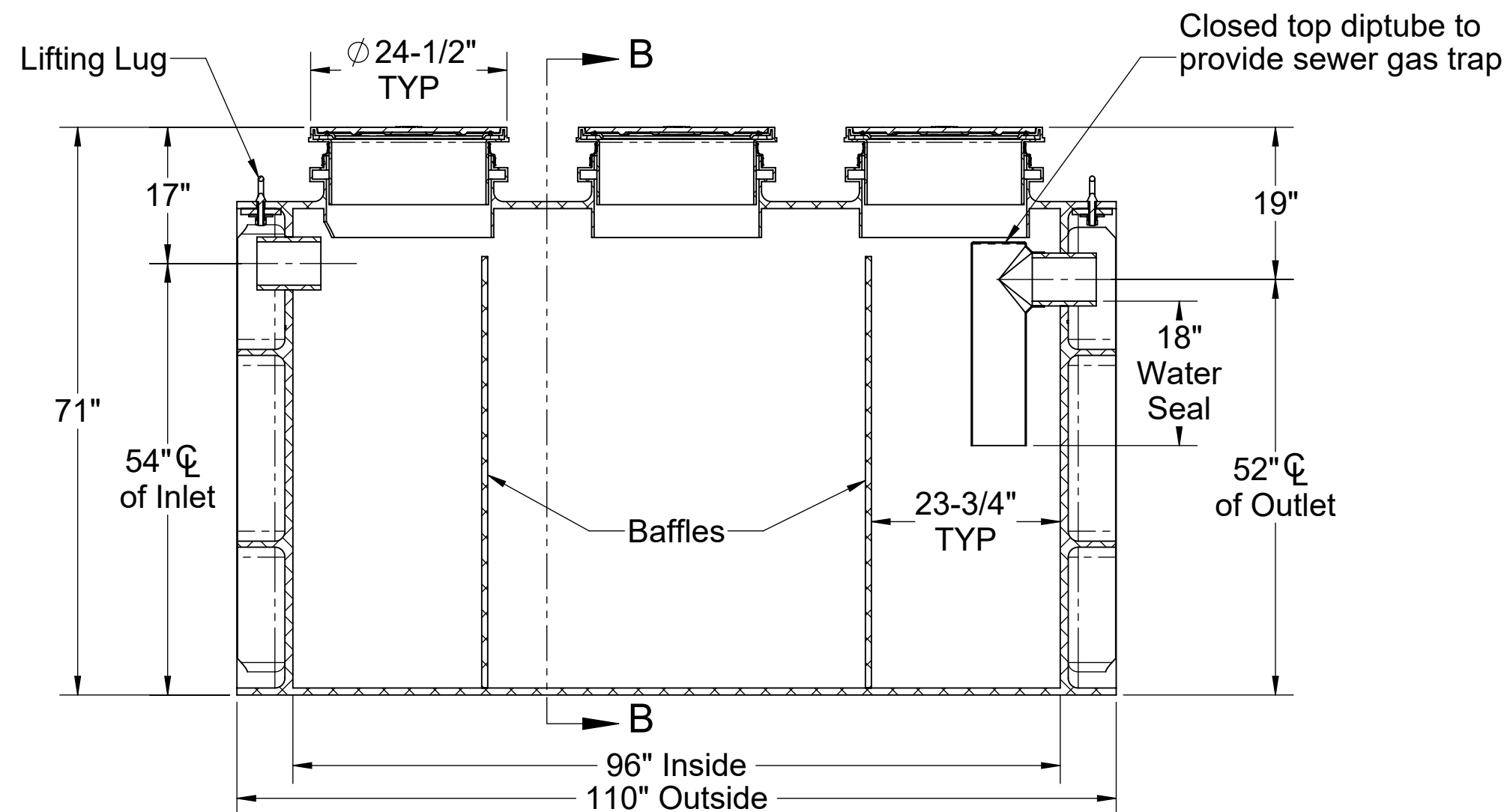


**TOP VIEW**

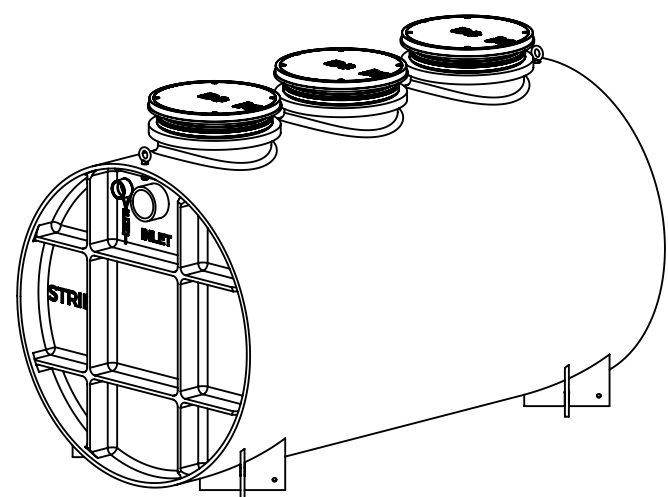
OPTIONS	
<b>Connection Options (Plain End Only)</b>	
<b>Inlet / Outlet</b>	<b>SELECTION REQUIRED</b>
<input type="checkbox"/> 4"	
<input type="checkbox"/> 6"	
<input type="checkbox"/> 8"	
<b>Riser Options</b>	
<b>From Factory: 0" - 5"</b>	
<input type="checkbox"/> Up to 24": <b>SR24</b> (3)	
<input type="checkbox"/> Up to 39": <b>LR24</b> (3)	
<input type="checkbox"/> Up to 43": <b>SR24</b> (6)	
<input type="checkbox"/> Up to 58": <b>SR24</b> (3) + <b>LR24</b> (3)	
<input type="checkbox"/> Up to 72": <b>LR24</b> (6)	
<input type="checkbox"/> Up to 90": <b>SR24</b> (3) + <b>LR24</b> (6)	
<input type="checkbox"/> Up to 106": <b>LR24</b> (9)	
<b>- OR -</b>	
<input type="checkbox"/> <b>CPRK</b> (3): 11" - 106" (See specification for more detail.)	
<b>Additional Options</b>	
<input type="checkbox"/> <b>HDK-5</b> : High Water Table Hold Down Kit	
<input type="checkbox"/> <b>C24-HP</b> (3): H2O Rated Pickable Cast Iron Covers	



**SECTION B-B**



**SECTION A-A**



**PO IS NON-CANCELABLE  
ORDER IS NON-RETURNABLE**

<b>MODEL NUMBER:</b>	CB-1000-S
<b>DESCRIPTION:</b>	POLYETHYLENE CATCH BASIN 1000 GALLON CAPACITY
<b>DWG BY:</b>	ENG
<b>DATE:</b>	1/15/2024
<b>REV:</b>	1

**SPECIFICATION SHEET**

Striem  
Kansas City, KS  
Tel: 913-222-1500  
orders@striemco.com  
www.striemco.com

Made in the U.S.A

