

SPECIFICATIONS

1. 4" Plain End inlet/outlet standard.
2. Liquid capacity: 110 Gallons.
3. Solids capacity: 70 Gallons.
4. Basket capacity: 7 Gallons.
5. Unit weight: 227 lbs.
6. Maximum operating temperature 140°F continuous.

NOTES

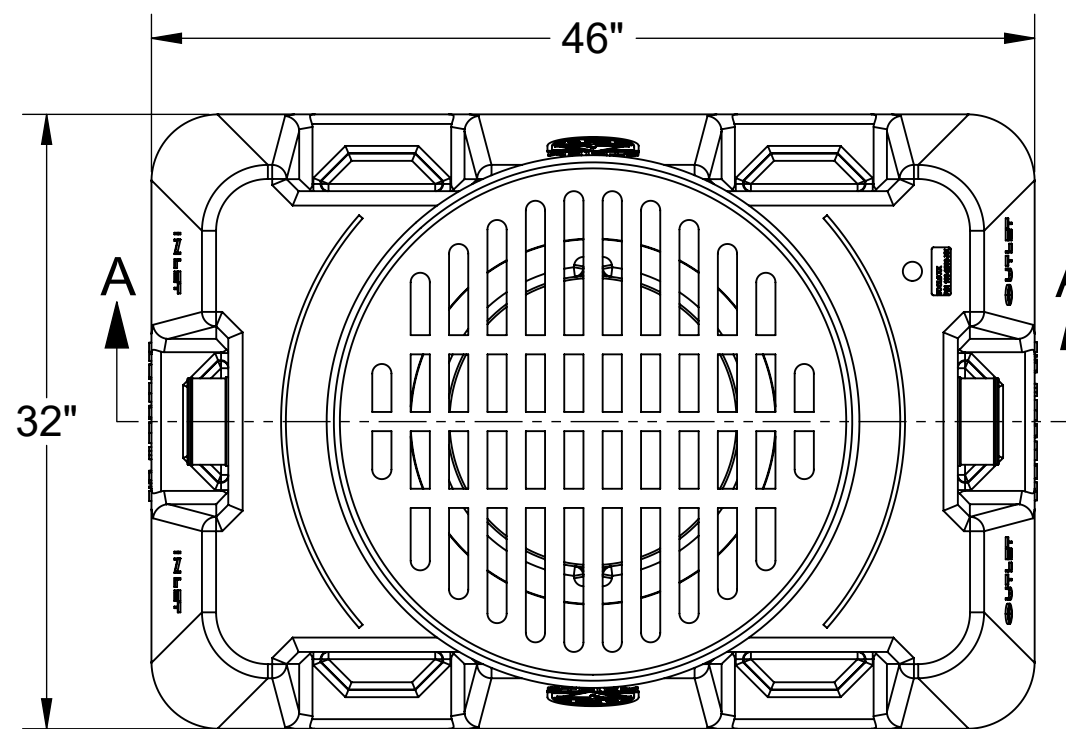
1. For gravity drainage applications only.
2. Do not use for pressure applications.
3. Cover placement allows full access to tank for proper maintenance.
4. Narrow footprint allows clearance through doorways and down stairs.
5. Diptube is removable to inspect or clean piping.

ENGINEER SPECIFICATION GUIDE

Striem solids interceptor model CB-125-G shall be lifetime guaranteed and made in the USA. Interceptor shall be constructed of polyethylene. Interceptor shall be manufactured for below-grade installation. Field-adjustable riser system is available as an option to bring manhole cover to grade. Interceptor liquid holding capacity shall be 110 gallons. Interceptor solids capacity shall be 70 gallons. BCB-7 basket solids capacity shall be 7 gallons. Cover shall be H20 rated cast iron grate.

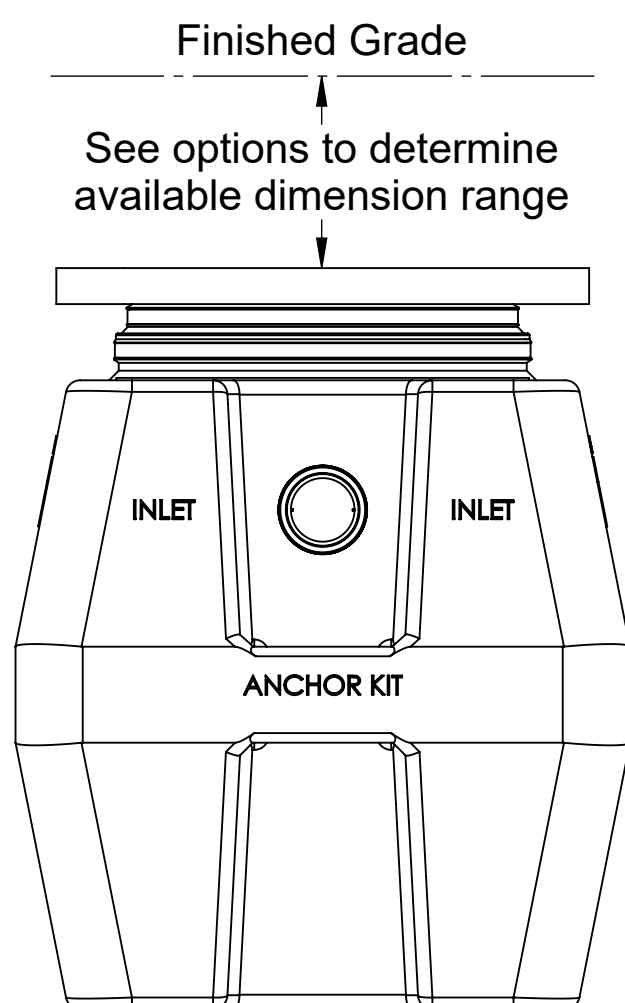
THIRD PARTY STRUCTURAL ANALYSIS

The CB-125-G has been structurally analyzed in accordance with the requirements of IBC 2012 and ASCE/SEI 7 for direct burial. The maximum burial depth and backfill material are specified in our installation instructions. The structural design has been reviewed and sealed by a professional engineer registered in the state of California. A sealed structural analysis report is available upon request.

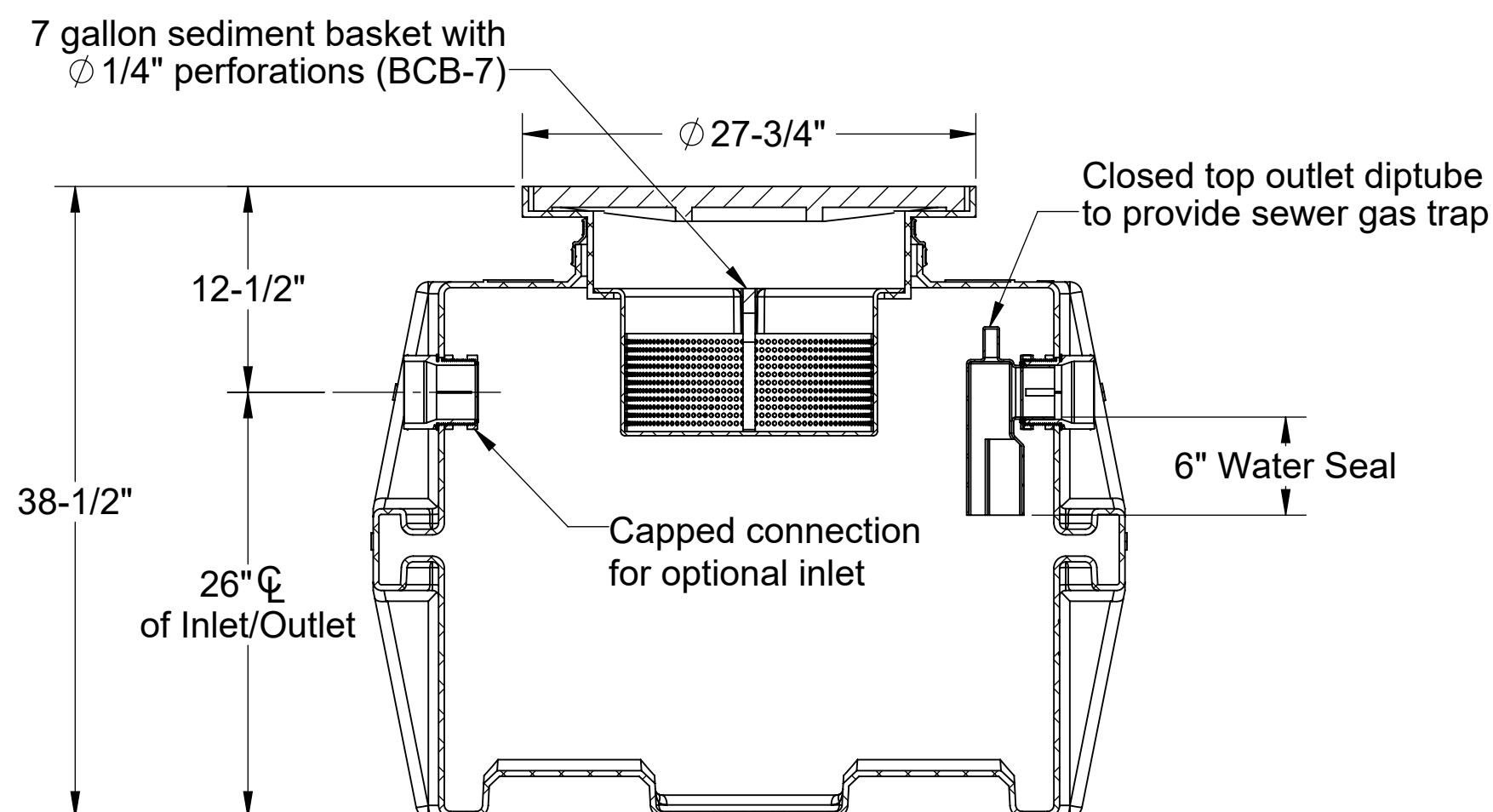


TOP VIEW

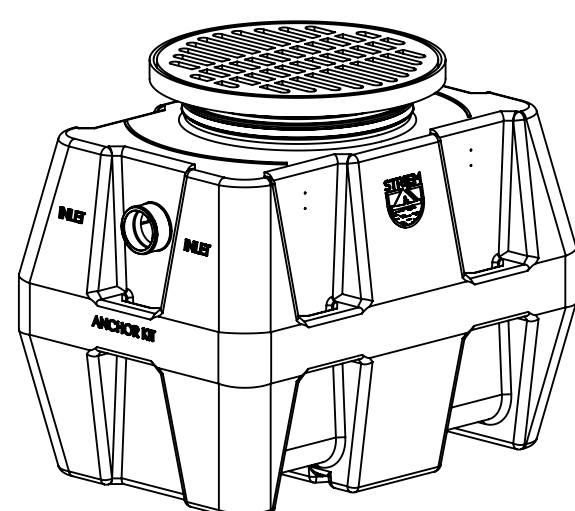
OPTIONS	
Connection Options (Plain End Only)	
Inlet / Outlet	
<input type="checkbox"/> 4"	
<input type="checkbox"/> 6" Outlet	
<input type="checkbox"/> 6" Inlet & Outlet (Inlet cannot be capped.)	
Riser Options	
From Factory: Up to 2"	
<input type="checkbox"/> 5" - 24": SR24	
<input type="checkbox"/> Up to 39": LR24	
<input type="checkbox"/> Up to 43": SR24 (2)	
<input type="checkbox"/> Up to 58": SR24 + LR24	
<input type="checkbox"/> Up to 72": LR24 (2)	
*If in the range of 2" - 5", contact Striem for a custom solution.	
Additional Options	
<input type="checkbox"/> HDK-2: High Water Table Hold Down Kit	



END VIEW



SECTION A-A



PROPRIETARY AND CONFIDENTIAL
 THE INFORMATION CONTAINED IN THIS DRAWING IS THE SOLE PROPERTY OF STRIEM, LLC.
 ANY REPRODUCTION IN PART OR AS A WHOLE WITHOUT THE WRITTEN PERMISSION OF STRIEM, LLC. IS PROHIBITED.

MODEL NUMBER:	CB-125-G
DESCRIPTION:	POLYETHYLENE CATCH BASIN WITH H2O RATED CAST IRON GRATE AND BCB-7 SEDIMENT BASKET
DWG BY:	ENG
DATE:	1/15/2024
REV:	1

SPECIFICATION SHEET	
Striem Kansas City, KS Tel: 913-222-1500 orders@striemco.com www.striemco.com	
Made in the U.S.A	