

SPECIFICATIONS

1. 4" Plain End inlet/outlet standard.
2. Liquid capacity: 57 Gallons.
3. Solids capacity: 25 Gallons.
4. Basket capacity: 7 Gallons.
5. Unit weight: 200 lbs.
6. Maximum operating temperature 140 °F continuous.

NOTES

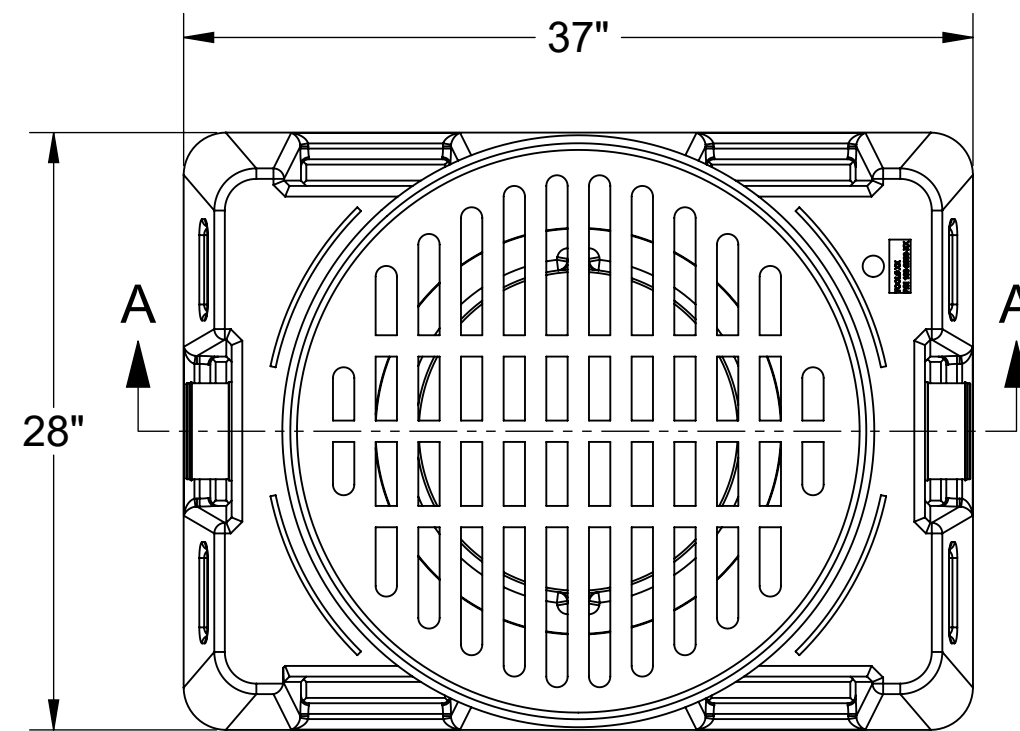
1. For gravity drainage applications only.
2. Do not use for pressure applications.
3. Cover placement allows full access to tank for proper maintenance.
4. Narrow footprint allows clearance through doorways and down stairs.
5. Diptube is removable to inspect or clean piping.

ENGINEER SPECIFICATION GUIDE

Striem solids interceptor model CB-50-G shall be lifetime guaranteed and made in the USA. Interceptor shall be constructed of polyethylene. Interceptor shall be manufactured for below-grade installation. Field-adjustable riser system is available as an option to bring manhole cover to grade. Interceptor liquid holding capacity shall be 57 gallons. Interceptor solids capacity shall be 25 gallons. BCB-7 basket solids capacity shall be 7 gallons. Cover shall be H20 rated cast iron grate.

THIRD PARTY STRUCTURAL ANALYSIS

The CB-50-G has been structurally analyzed in accordance with the requirements of IBC 2012 and ASCE/SEI 7 for direct burial. The maximum burial depth and backfill material are specified in our installation instructions. The structural design has been reviewed and sealed by a professional engineer registered in the state of California. A sealed structural analysis report is available upon request.



TOP VIEW

OPTIONS

Connection Options (Plain End Only)

Inlet / Outlet

- 3"
- 4"

Riser Options

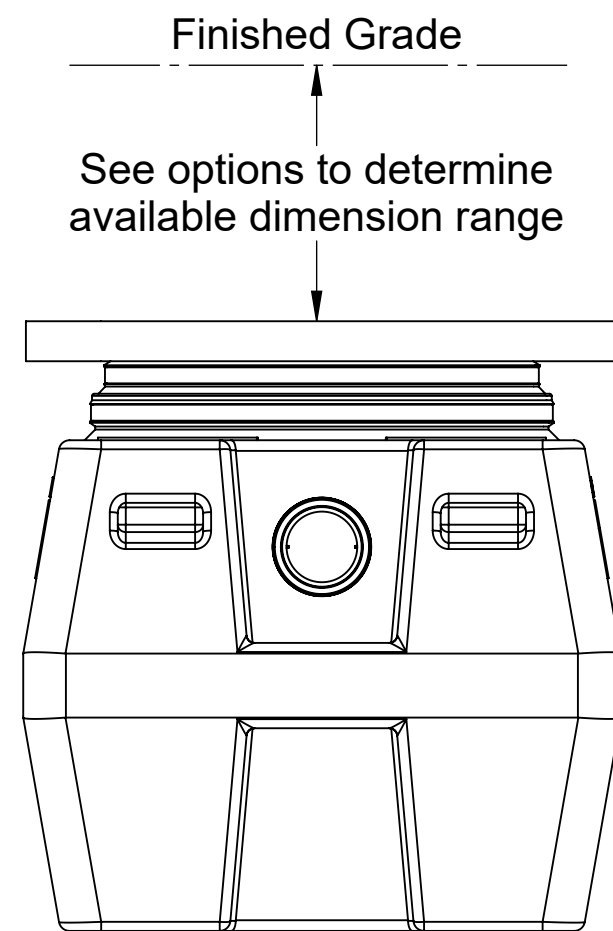
From factory: Up to 2"

- 5" - 24": **SR24**
- Up to 39": **LR24**

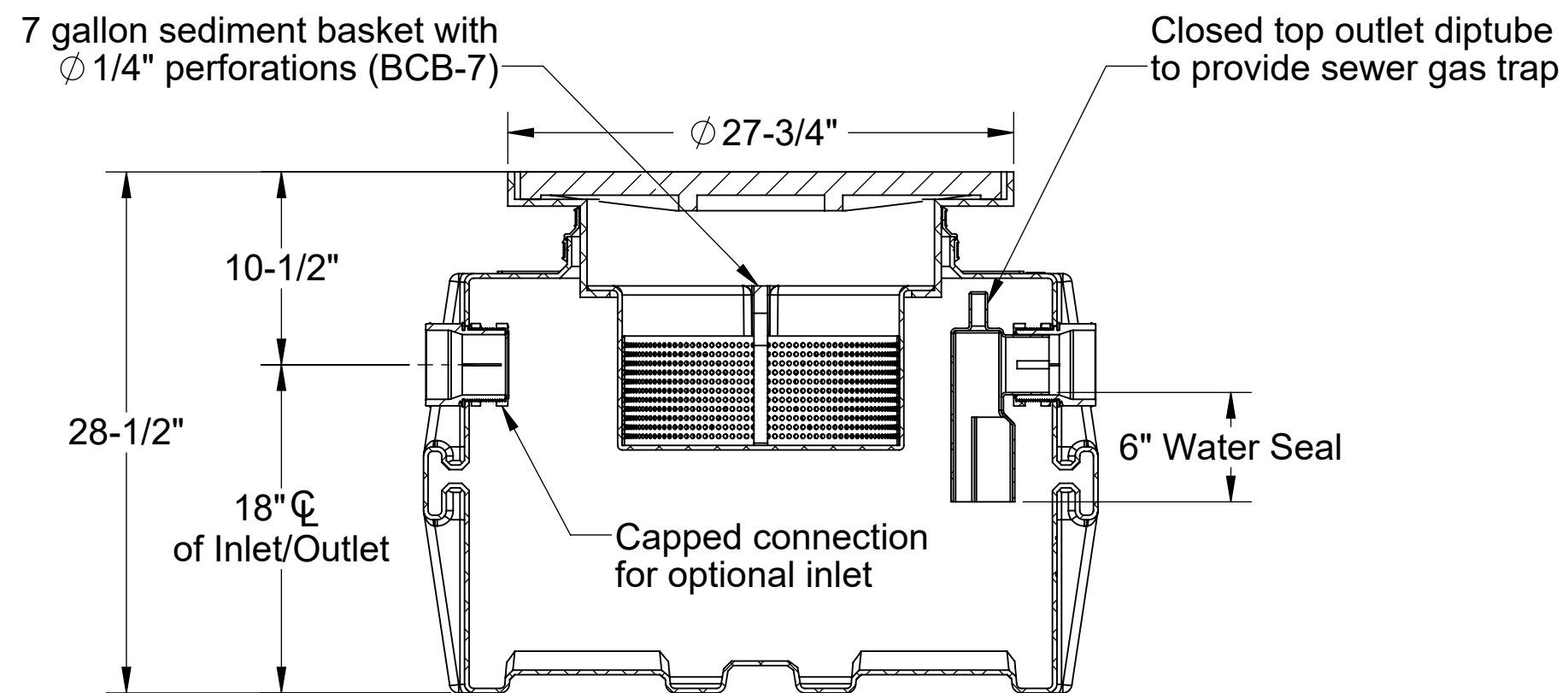
*If in the range of 2" - 5", contact Striem for a custom solution.

Additional Options

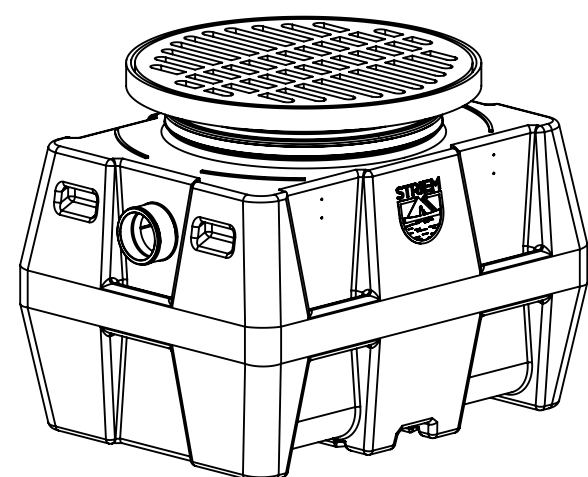
- HDK-2: High Water Table Hold Down Kit**



END VIEW



SECTION A-A



PROPRIETARY AND CONFIDENTIAL
 THE INFORMATION CONTAINED IN THIS DRAWING IS THE SOLE PROPERTY OF STRIEM, LLC.
 ANY REPRODUCTION IN PART OR AS A WHOLE WITHOUT THE WRITTEN PERMISSION OF STRIEM, LLC. IS PROHIBITED.

MODEL NUMBER: CB-50-G

DESCRIPTION:
 POLYETHYLENE CATCH BASIN
 WITH H2O RATED CAST IRON GRATE
 AND BCB-7 SEDIMENT BASKET

DWG BY: ENG **DATE:** 1/12/2024 **REV:** 1

SPECIFICATION SHEET

Striem
 Kansas City, KS
 Tel: 913-222-1500
 orders@striemco.com
 www.striemco.com

Made in the U.S.A

