

**SPECIFICATIONS**

1. 4" Plain End inlet/outlet, C24-H cover standard.
2. Liquid capacity: 57 Gallons.
3. Solids capacity: 25 Gallons.
4. Unit weight w/ standard cover: 93 lbs.; w/ cast iron cover: 153 lbs.
5. Maximum operating temperature 140 °F continuous.

**NOTES**

1. For gravity drainage applications only.
2. Do not use for pressure applications.
3. Cover placement allows full access to tank for proper maintenance.
4. Narrow footprint allows clearance through doorways and down stairs.
5. Diptube is removable to inspect or clean piping.

**ENGINEER SPECIFICATION GUIDE**

Striem solids interceptor model CB-50-S shall be lifetime guaranteed and made in the USA. Interceptor shall be constructed of polyethylene. Interceptor shall be manufactured for above- or below-grade installation. Field-adjustable riser system is available as an option to bring manhole cover to grade. Interceptor liquid holding capacity shall be 57 gallons and solids capacity shall be 25 gallons. Cover shall provide water/gas-tight seal and have a maximum 16,000 lbs. load capacity.

**THIRD PARTY STRUCTURAL ANALYSIS**

The CB-50-S has been structurally analyzed in accordance with the requirements of IBC 2012 and ASCE/SEI 7 for direct burial. The maximum burial depth and backfill material are specified in our installation instructions. The structural design has been reviewed and sealed by a professional engineer registered in the state of California. A sealed structural analysis report is available upon request.

**OPTIONS**

**Connection Options (Plain End Only)**

**Inlet / Outlet**

- 3"
- 4"

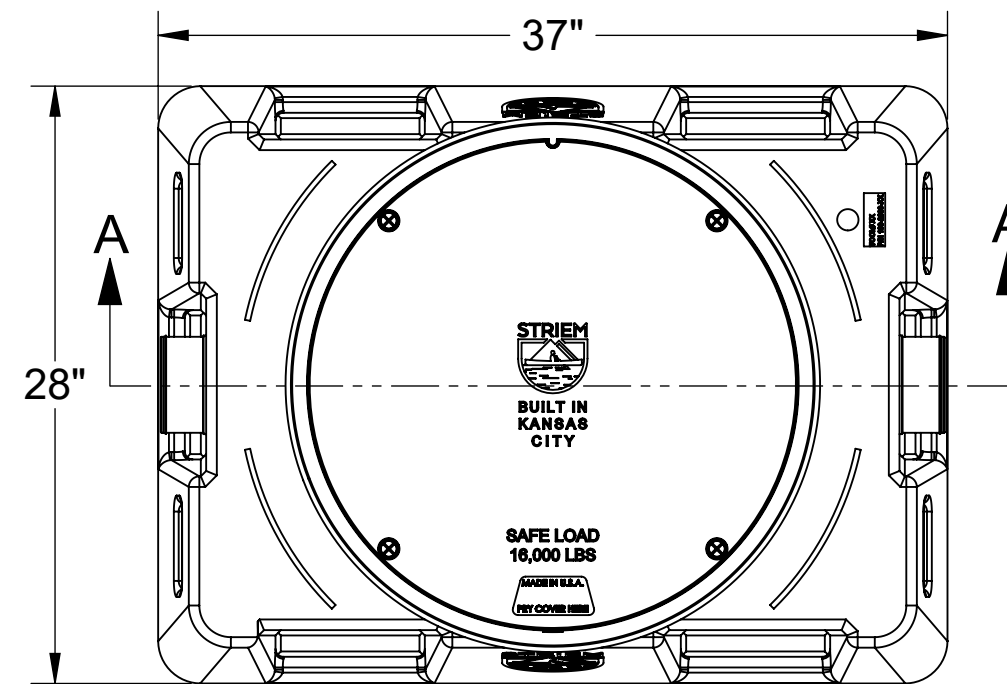
**Riser Options**

**From Factory: Up to 5"**

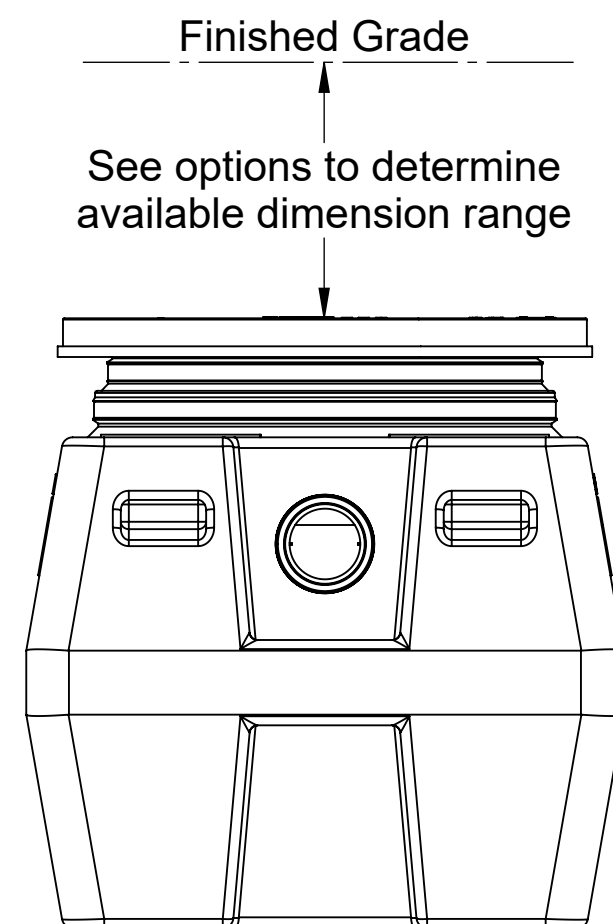
- Up to 24": **SR24**
- Up to 39": **LR24**

**Additional Options**

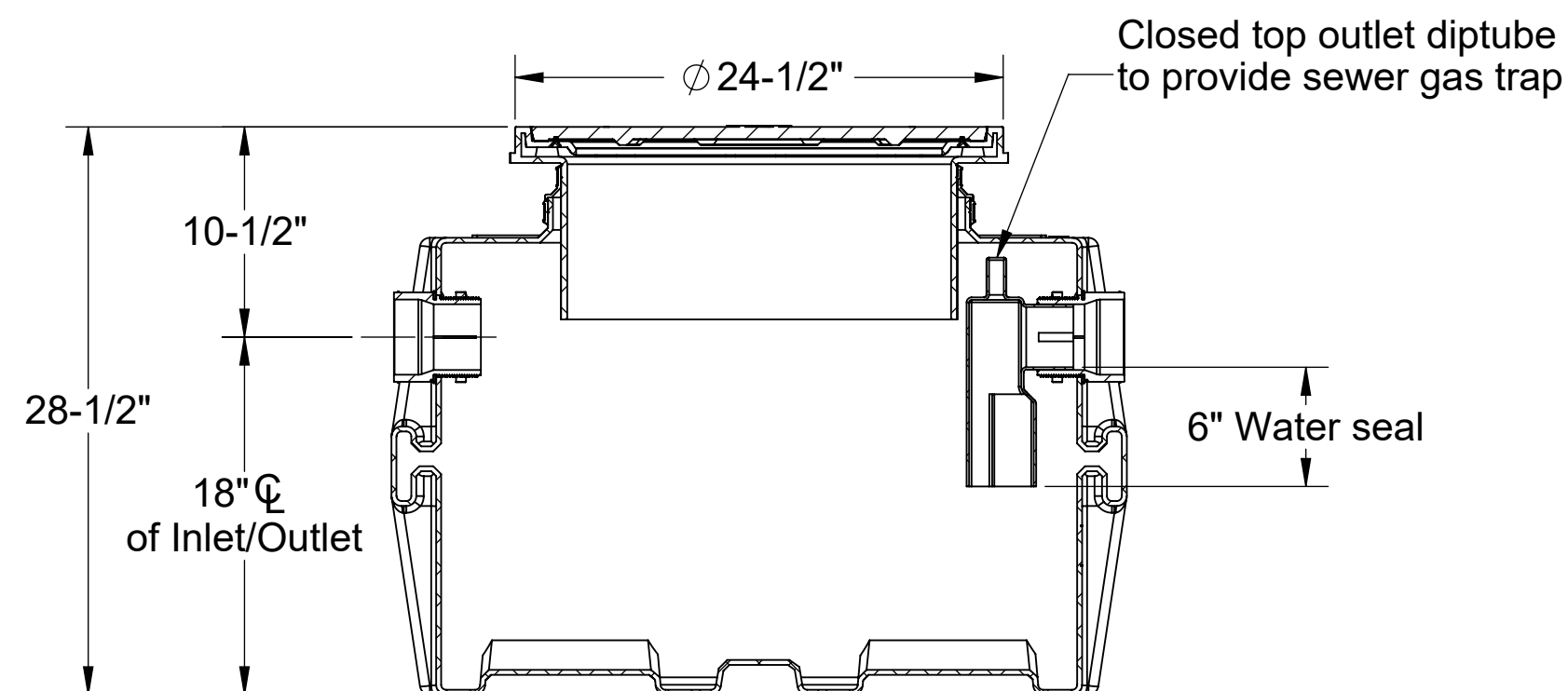
- HDK-2:** High Water Table Hold Down Kit
- C24-HP:** H20 Rated Pickable Cast Iron Cover



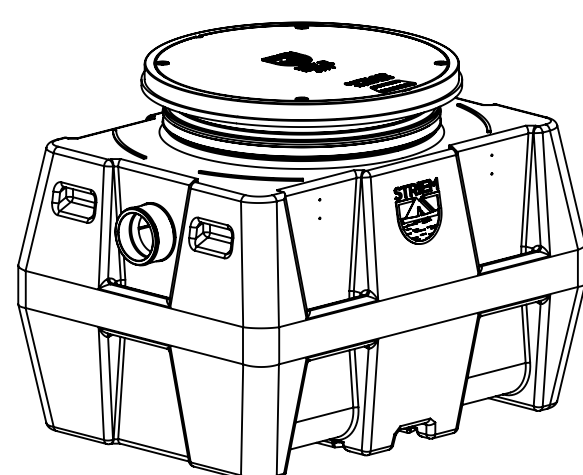
**TOP VIEW**



**END VIEW**



**SECTION A-A**



**PROPRIETARY AND CONFIDENTIAL**  
 THE INFORMATION CONTAINED IN THIS DRAWING IS THE SOLE PROPERTY OF STRIEM, LLC.  
 ANY REPRODUCTION IN PART OR AS A WHOLE WITHOUT THE WRITTEN PERMISSION OF STRIEM, LLC. IS PROHIBITED.

<b>MODEL NUMBER:</b> CB-50-S		<b>SPECIFICATION SHEET</b>	
<b>DESCRIPTION:</b>  POLYETHYLENE CATCH BASIN			
<b>DWG BY:</b> ENG	<b>DATE:</b> 1/12/2024	<b>REV:</b> 1	Striem Kansas City, KS Tel: 913-222-1500 orders@striemco.com www.striemco.com  Made in the U.S.A