

SPECIFICATIONS

1. 6" Plain End inlet/outlet shown, 3" Plain End vents, C24-H cover standard.
2. Liquid capacity: 500 gallons (66 cu. ft.).
3. Solids capacity: 400 gallons.
4. Unit weight w/ standard cover: 800 lbs.; w/ cast iron cover: 860 lbs.
5. Maximum operating temperature 140°F continuous.

NOTES

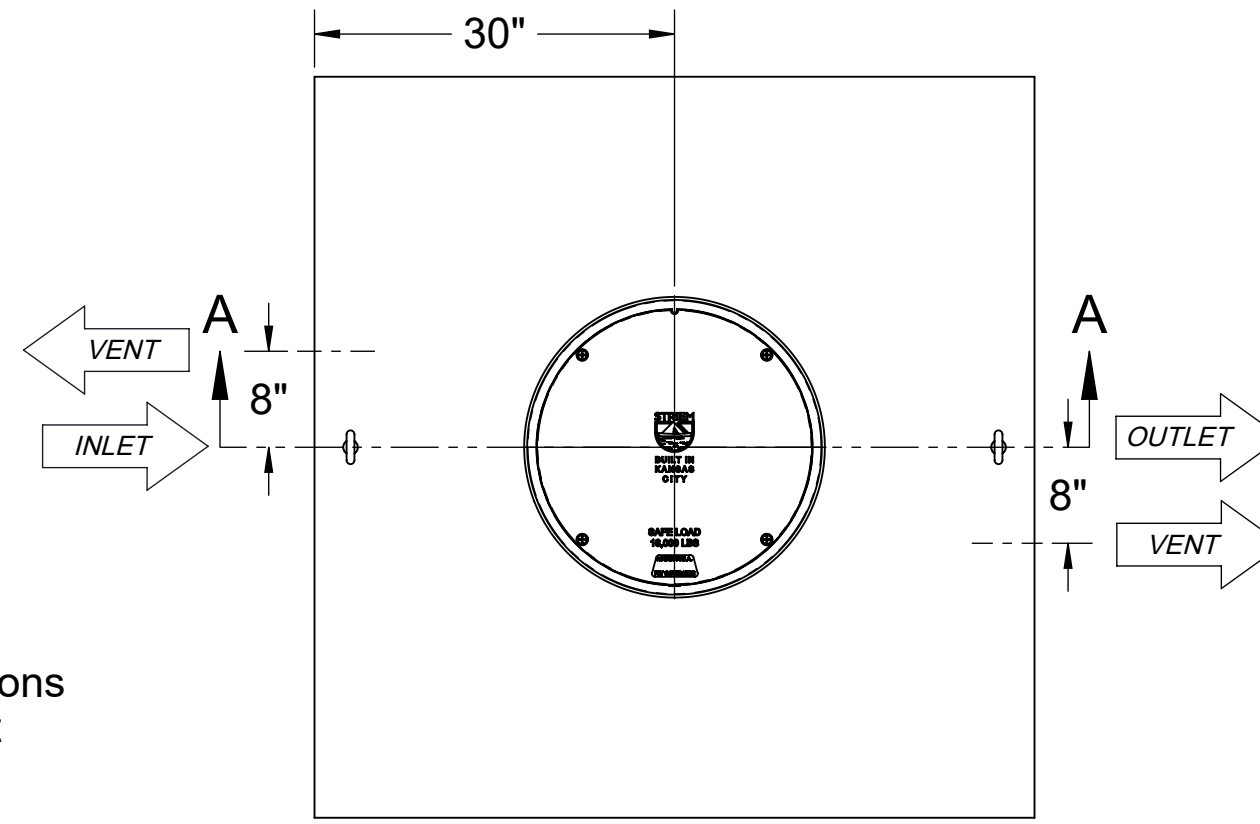
1. For gravity drainage applications only.
2. Do not use for pressure applications.
3. Cover placement allows full access to tank for proper maintenance.
4. Lifting lug set for easy install.

ENGINEER SPECIFICATION GUIDE

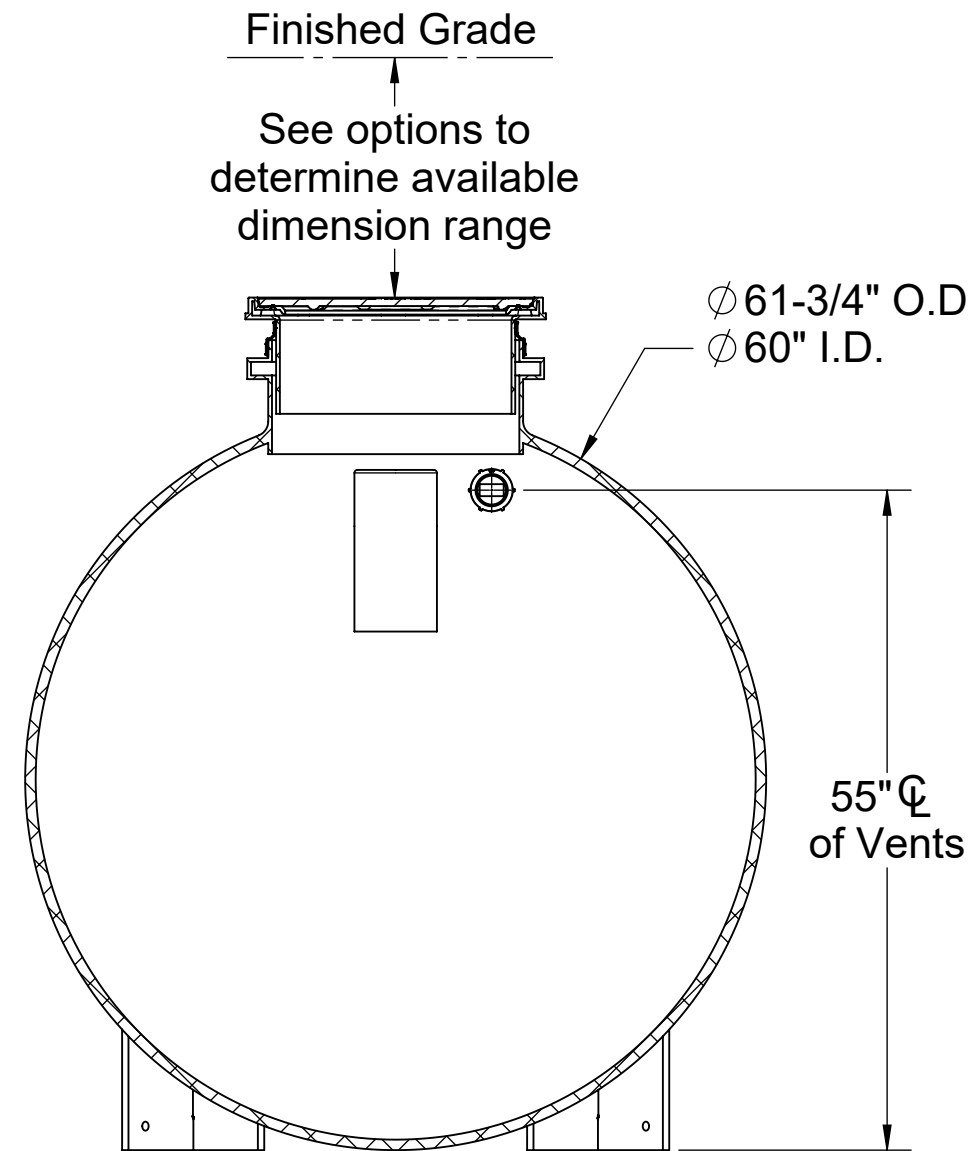
Striem solids interceptor model CB-500-S shall be lifetime guaranteed and made in the USA. Interceptor shall be constructed of polyethylene with 7/8" nominal wall thickness. Interceptor shall be manufactured for below-grade installation. Field-adjustable riser system is available as an option to bring manhole cover to grade. Interceptor liquid holding capacity shall be 500 gallons and solids capacity shall be 400 gallons. Cover shall provide water/gas-tight seal and have a maximum 16,000 lbs. load capacity.

THIRD PARTY STRUCTURAL ANALYSIS

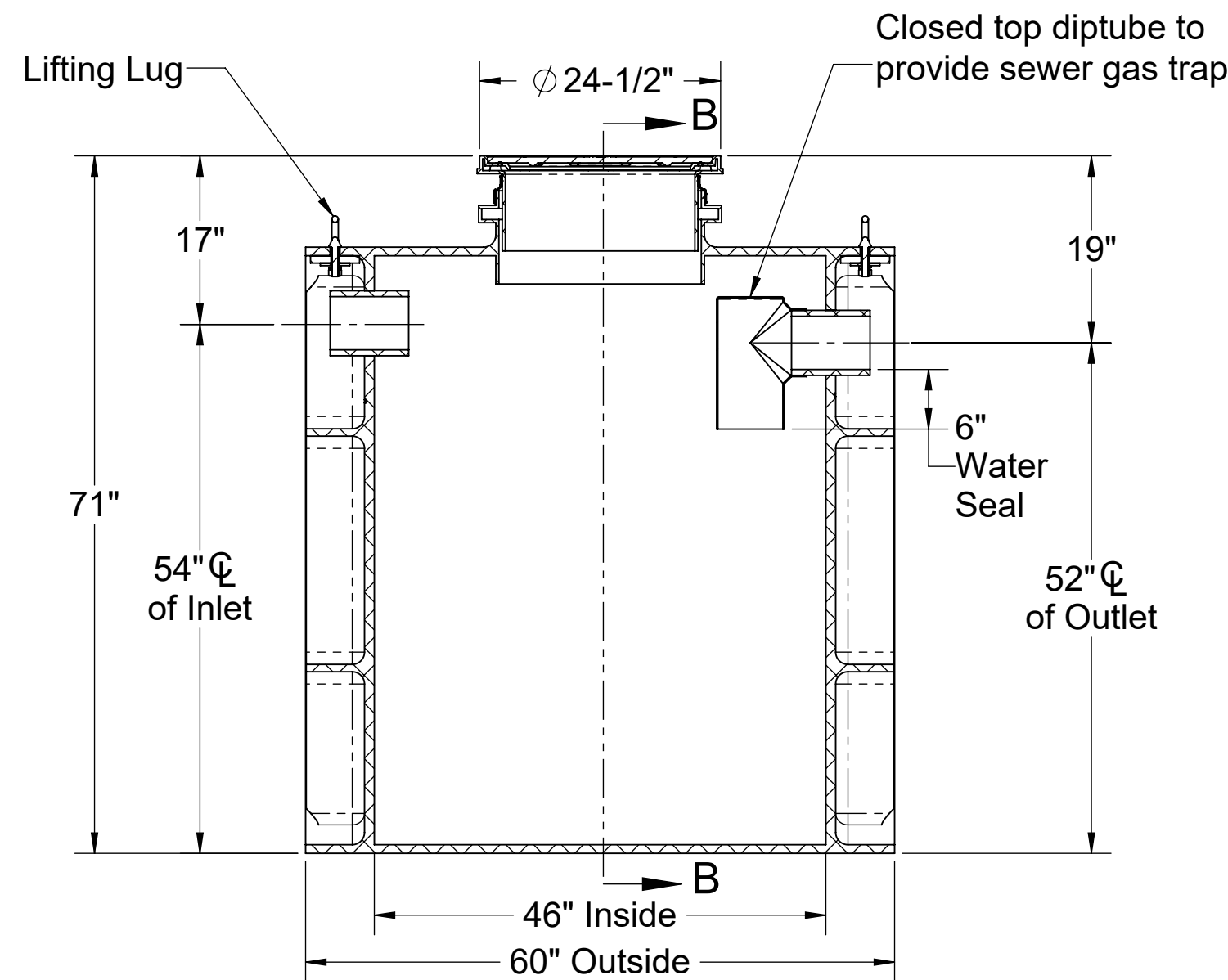
The structural design of the CB-500-S has been approved and stamped by a third-party structural engineer for direct burial in accordance with Striem's installation instructions.



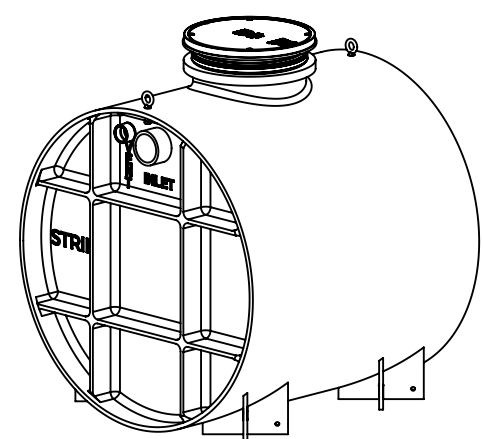
TOP VIEW



SECTION B-B



SECTION A-A



PO IS NON-CANCELABLE
ORDER IS NON-RETURNABLE

PROPRIETARY AND CONFIDENTIAL
THE INFORMATION CONTAINED IN THIS DRAWING IS THE SOLE PROPERTY OF STRIEM, LLC.
ANY REPRODUCTION IN PART OR AS A WHOLE WITHOUT THE WRITTEN PERMISSION OF STRIEM, LLC. IS PROHIBITED.

OPTIONS

Connection Options (Plain End Only)

Inlet / Outlet

- 4"
- 6"
- 8"

SELECTION REQUIRED

Riser Options

From Factory: 0" - 5"

- Up to 24": SR24
- Up to 39": LR24
- Up to 43": SR24 (2)
- Up to 58": SR24 + LR24
- Up to 72": LR24 (2)
- Up to 90": SR24 + LR24 (2)
- Up to 106": LR24 (3)

- OR -

- CPRK: 11" - 106" (See specification for more detail.)

Additional Options

- HDK-8: High Water Table Hold Down Kit
- C24-HP: H20 Rated Pickable Cast Iron Cover

MODEL NUMBER: CB-500-S

DESCRIPTION:
POLYETHYLENE CATCH BASIN
500 GALLON CAPACITY

DWG BY: ENG **DATE:** 1/15/2024 **REV:** 1

SPECIFICATION SHEET

Striem
Kansas City, KS
Tel: 913-222-1500
orders@striemco.com
www.striemco.com

Made in the U.S.A

