

SPECIFICATIONS

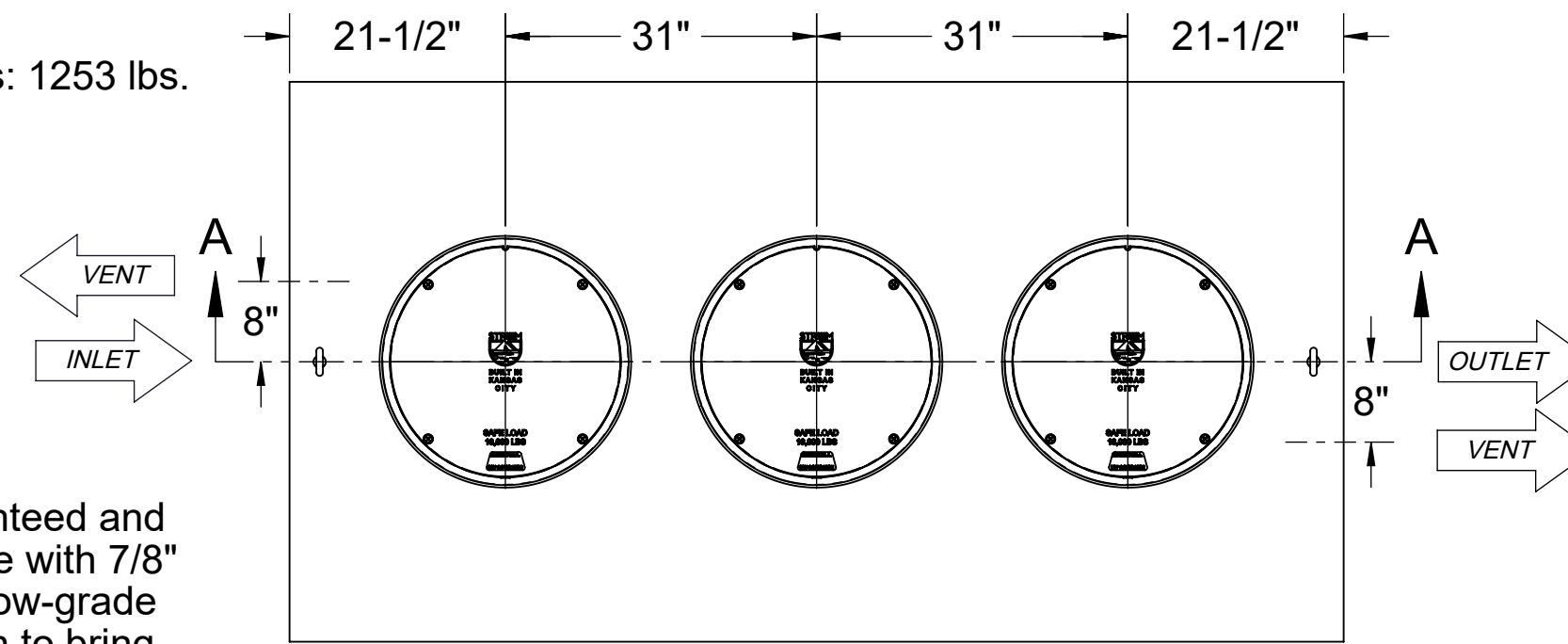
1. 6" Plain End inlet/outlet shown, 3" Plain End vents, C24-H covers standard.
2. Liquid capacity: 750 gallons (100 cu. ft.).
3. Solids capacity: 295 gallons.
4. Unit weight w/ standard covers: 1133 lbs.; w/ cast iron covers: 1253 lbs.
5. Maximum operating temperature 140°F continuous.

NOTES

1. For gravity drainage applications only.
2. Do not use for pressure applications.
3. Cover placement allows full access to tank for proper maintenance.
4. Lifting lug set for easy install.

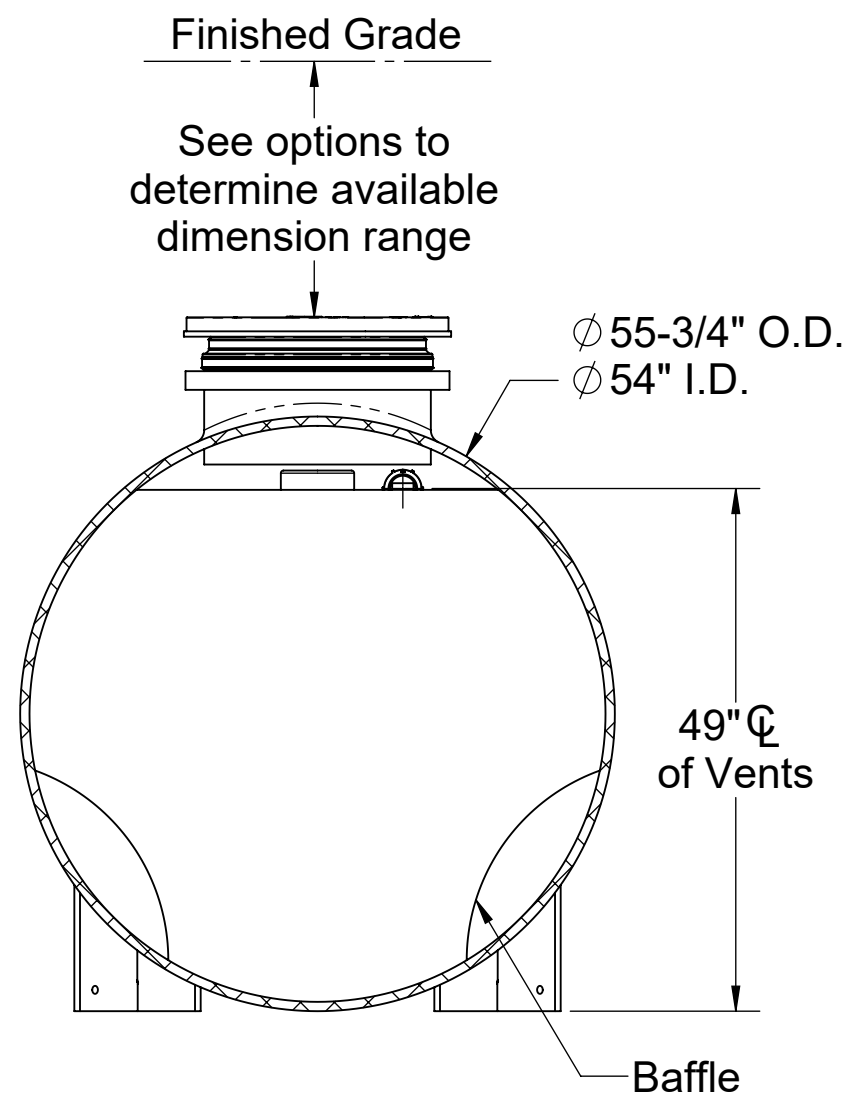
ENGINEER SPECIFICATION GUIDE

Striem solids interceptor model CB-750-S shall be lifetime guaranteed and made in the USA. Interceptor shall be constructed of polyethylene with 7/8" nominal wall thickness. Interceptor shall be manufactured for below-grade installation. Field-adjustable riser system is available as an option to bring manhole covers to grade. Interceptor liquid holding capacity shall be 750 gallons and solids capacity shall be 295 gallons. Covers shall provide water/gas-tight seal and have a maximum 16,000 lbs. load capacity.

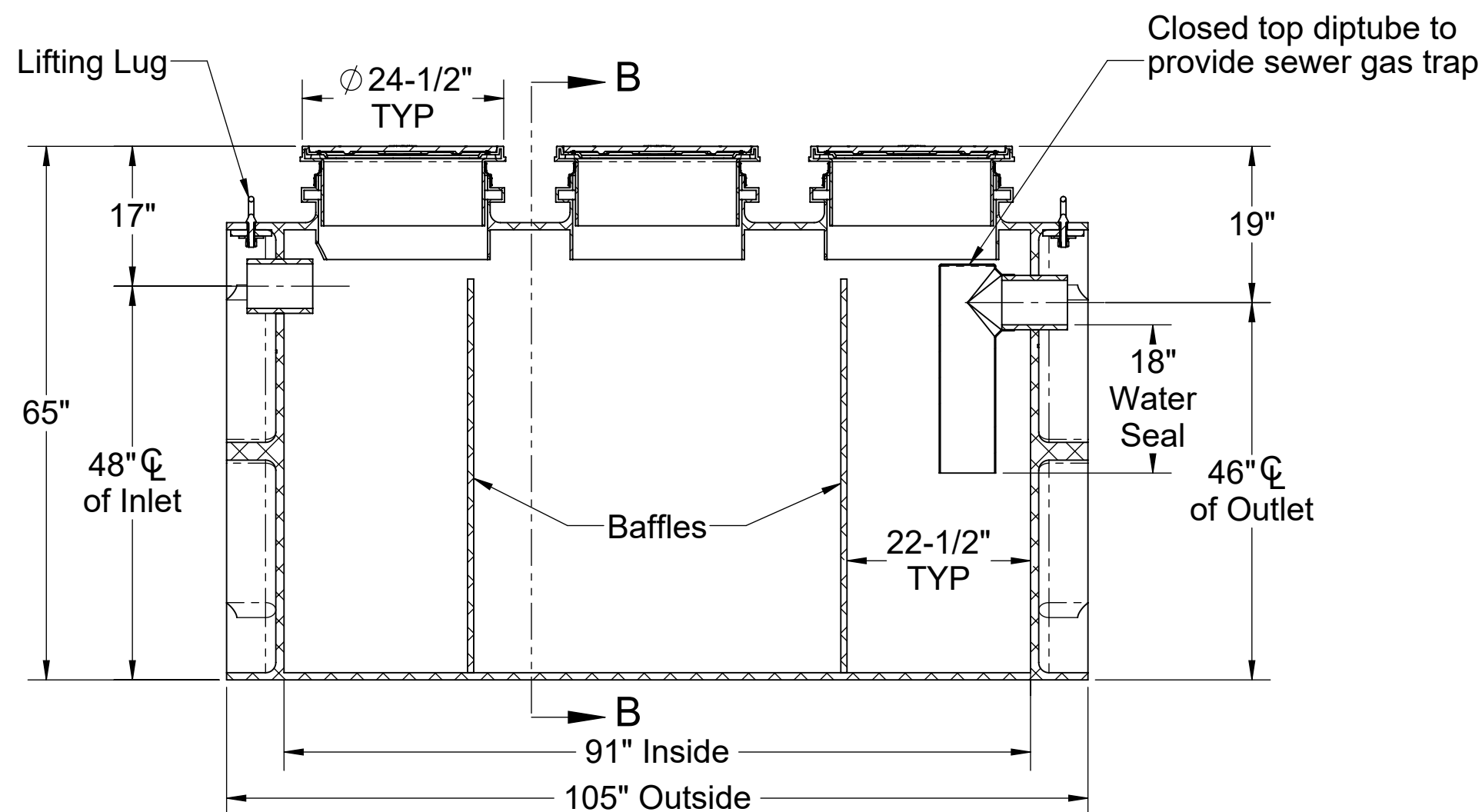


TOP VIEW

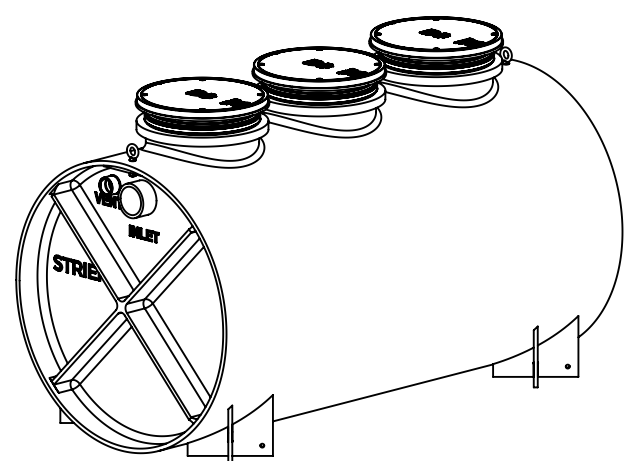
OPTIONS	
Connection Options (Plain End Only)	
Inlet / Outlet	SELECTION REQUIRED
<input type="checkbox"/> 4"	
<input type="checkbox"/> 6"	
<input type="checkbox"/> 8"	
Riser Options	
From Factory: 0" - 5"	
<input type="checkbox"/> Up to 24": SR24 (3)	
<input type="checkbox"/> Up to 39": LR24 (3)	
<input type="checkbox"/> Up to 43": SR24 (6)	
<input type="checkbox"/> Up to 58": SR24 (3) + LR24 (3)	
<input type="checkbox"/> Up to 72": LR24 (6)	
<input type="checkbox"/> Up to 90": SR24 (3) + LR24 (6)	
<input type="checkbox"/> Up to 106": LR24 (9)	
- OR -	
<input type="checkbox"/> CPRK (3): 11" - 106" (See specification for more detail.)	
Additional Options	
<input type="checkbox"/> HDK-4 : High Water Table Hold Down Kit	
<input type="checkbox"/> C24-HP (3): H2O Rated Pickable Cast Iron Covers	



SECTION B-B



SECTION A-A



PO IS NON-CANCELABLE ORDER IS NON-RETURNABLE

PROPRIETARY AND CONFIDENTIAL THE INFORMATION CONTAINED IN THIS DRAWING IS THE SOLE PROPERTY OF STRIEM, LLC. ANY REPRODUCTION IN PART OR AS A WHOLE WITHOUT THE WRITTEN PERMISSION OF STRIEM, LLC. IS PROHIBITED.

MODEL NUMBER:	CB-750-S
DESCRIPTION:	POLYETHYLENE CATCH BASIN 750 GALLON CAPACITY
DWG BY:	ENG
DATE:	1/15/2024
REV:	1

SPECIFICATION SHEET

Striem
Kansas City, KS
Tel: 913-222-1500
orders@striemco.com
www.striemco.com

Made in the U.S.A

