

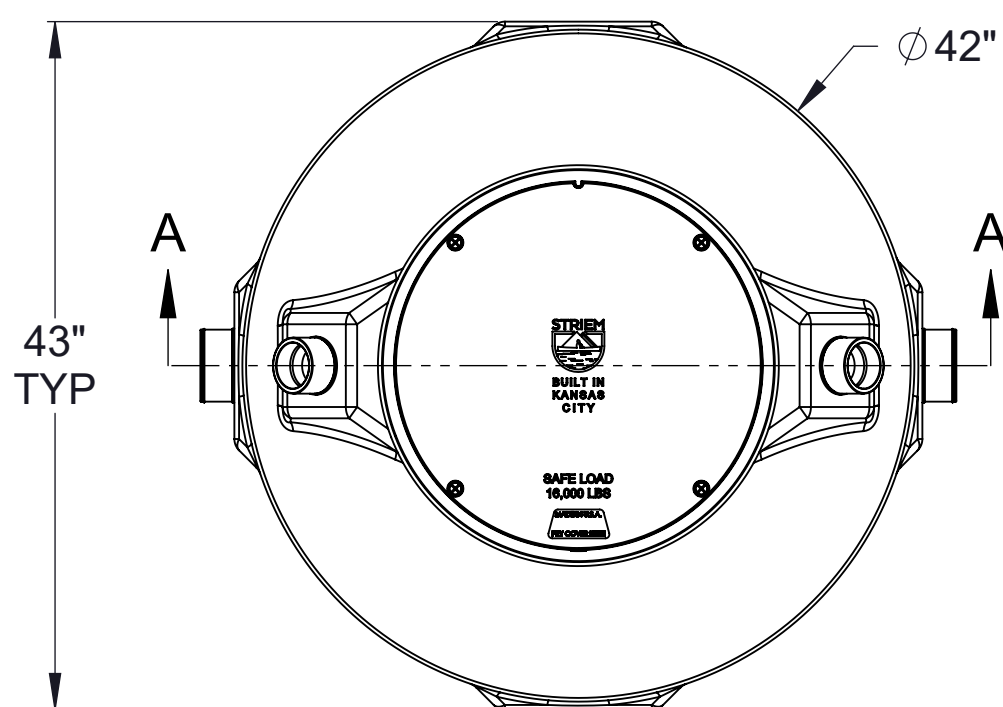
SPECIFICATIONS

1. 4" Plain End inlet/outlet, 3" Plain End vents, C24-H cover standard.
2. Liquid capacity: 262 Gallons (35 cu. ft.).
3. Solids capacity: 163 Gallons (26.2 cu. ft.).
4. Flammable waste capacity: 89 Gallons (14.2 cu. ft.).
5. Unit weight w/ standard cover: 175 lbs.; w/ cast iron cover: 235 lbs.
6. Maximum operating temperature 140°F continuous.
7. Minimum burial depth: 9".
8. Slick Stick Oil Level Monitoring System.

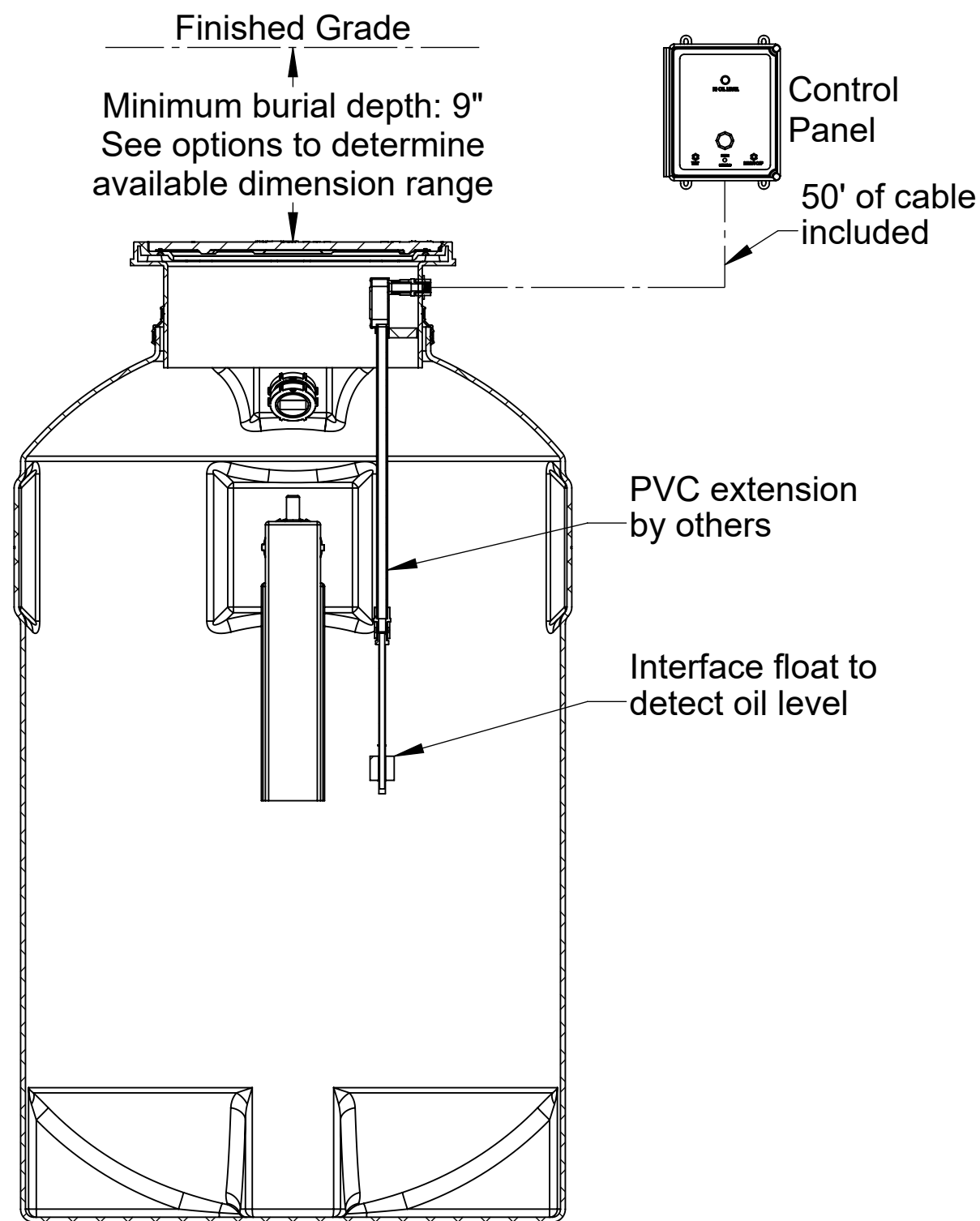
ENGINEER SPECIFICATION GUIDE

Striem flammable waste trap model FWT-35-SS shall be lifetime guaranteed and made in the USA. FWT-35-SS shall be constructed of polyethylene. FWT-35-SS shall be manufactured for above- or below-grade installation. Field-adjustable riser system is available as an option to bring manhole cover to grade. FWT-35-SS liquid holding capacity shall be 262 gallons and flammable waste capacity shall be 89 gallons. Solids capacity shall be 163 gallons. Cover shall provide water/gas-tight seal and have a maximum 16,000 lbs. load capacity.

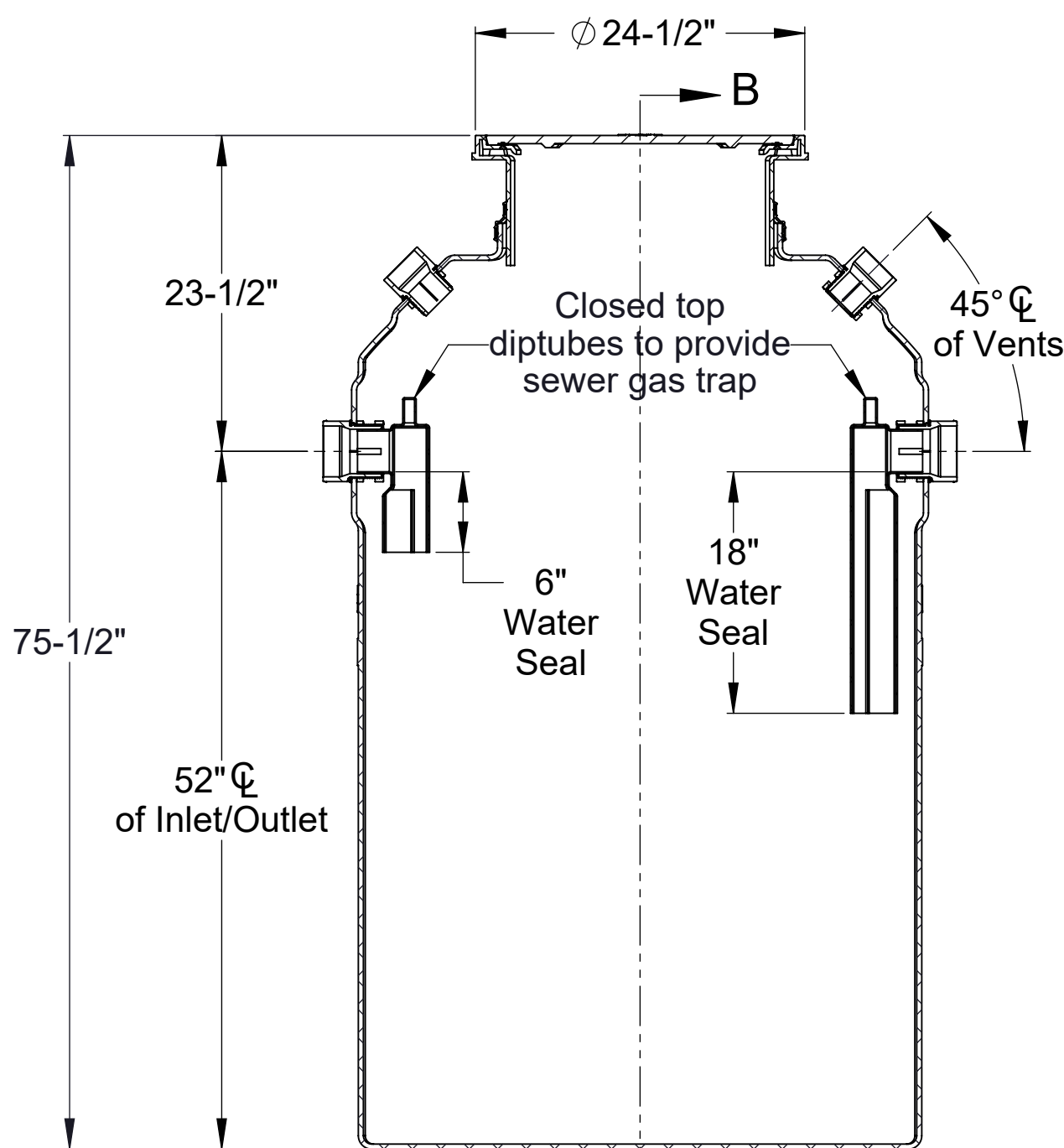
OPTIONS	
Connection Options (Plain End Only)	
Inlet / Outlet	
<input type="checkbox"/>	4"
<input type="checkbox"/>	6"
Riser Options	
Minimum Burial Depth: 9"	
<input type="checkbox"/>	Up to 21": SR24
<input type="checkbox"/>	Up to 36": LR24
<input type="checkbox"/>	Up to 40": SR24 (2)
<input type="checkbox"/>	Up to 55": SR24 + LR24
<input type="checkbox"/>	Up to 69": LR24 (2)
<input type="checkbox"/>	Up to 87": SR24 + LR24 (2)
- OR -	
<input type="checkbox"/>	CPRK: 11" - 87" (See specification for more detail.)
Additional Options	
<input type="checkbox"/>	C24-HP: H20 Rated Pickable Cast Iron Cover
<input type="checkbox"/>	HDK-10: High Water Table Hold Down Kit



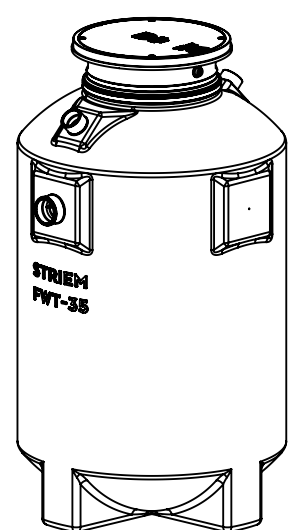
TOP VIEW



SECTION B-B



SECTION A-A



MODEL NUMBER: FWT-35-SS

DESCRIPTION:
35 CUBIC FEET POLYETHYLENE
FLAMMABLE WASTE TRAP WITH
SLICK STICK™ OIL LEVEL MONITORING SYSTEM,
UNRATED

DWG BY: ENG **DATE:** 1/12/2024 **REV:** 0

SPECIFICATION SHEET

Striem
Kansas City, KS
Tel: 913-222-1500
orders@striemco.com
www.striemco.com

Made in the U.S.A

