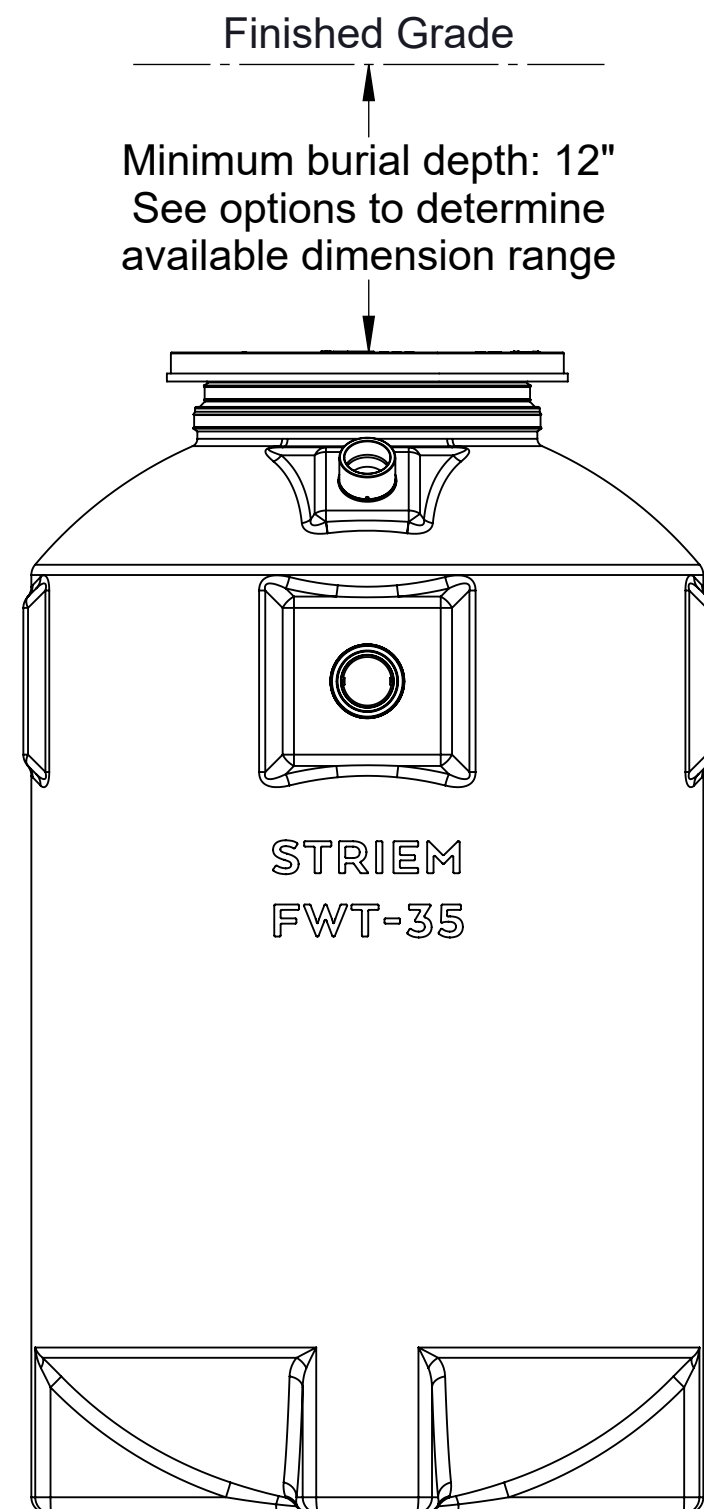


**SPECIFICATIONS**

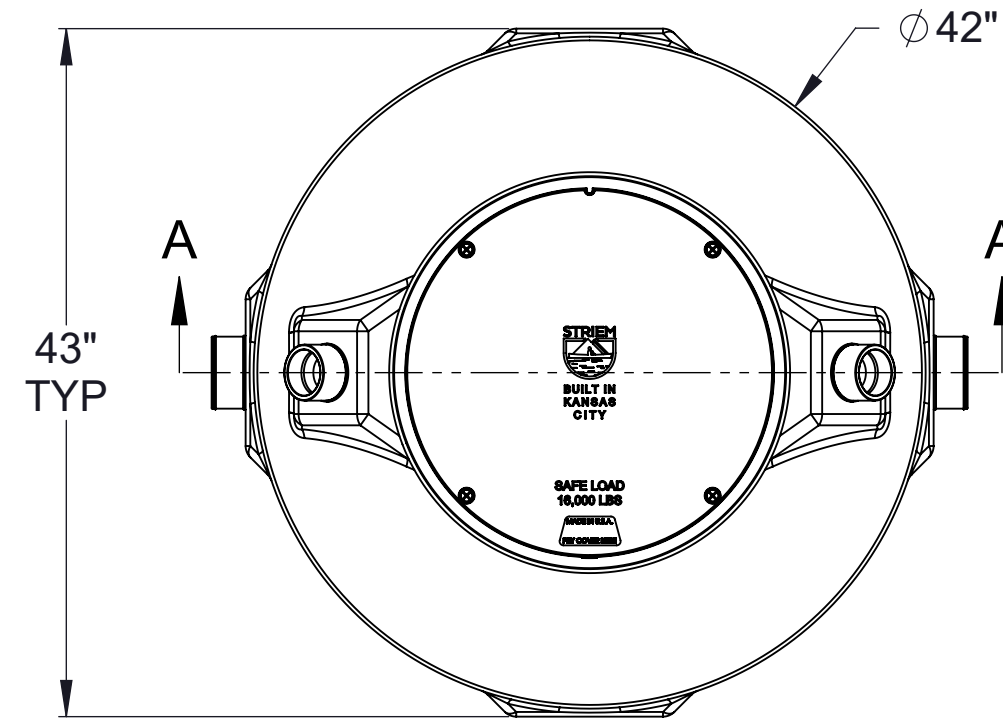
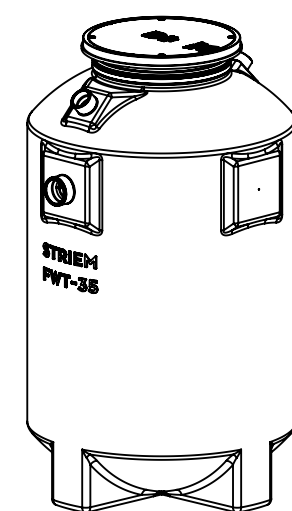
1. 4" Plain End inlet/outlet, 3" Plain End vents, C24-H cover standard.
2. Liquid capacity: 262 Gallons (35 cu. ft.).
3. Solids capacity: 163 Gallons (26.2 cu. ft.).
4. Flammable waste capacity: 89 Gallons (14.2 cu. ft.).
5. Unit weight w/ standard cover: 175 lbs.; w/ cast iron cover: 235 lbs.
6. Maximum operating temperature 140°F continuous.
7. Minimum burial depth: 12".

**ENGINEER SPECIFICATION GUIDE**

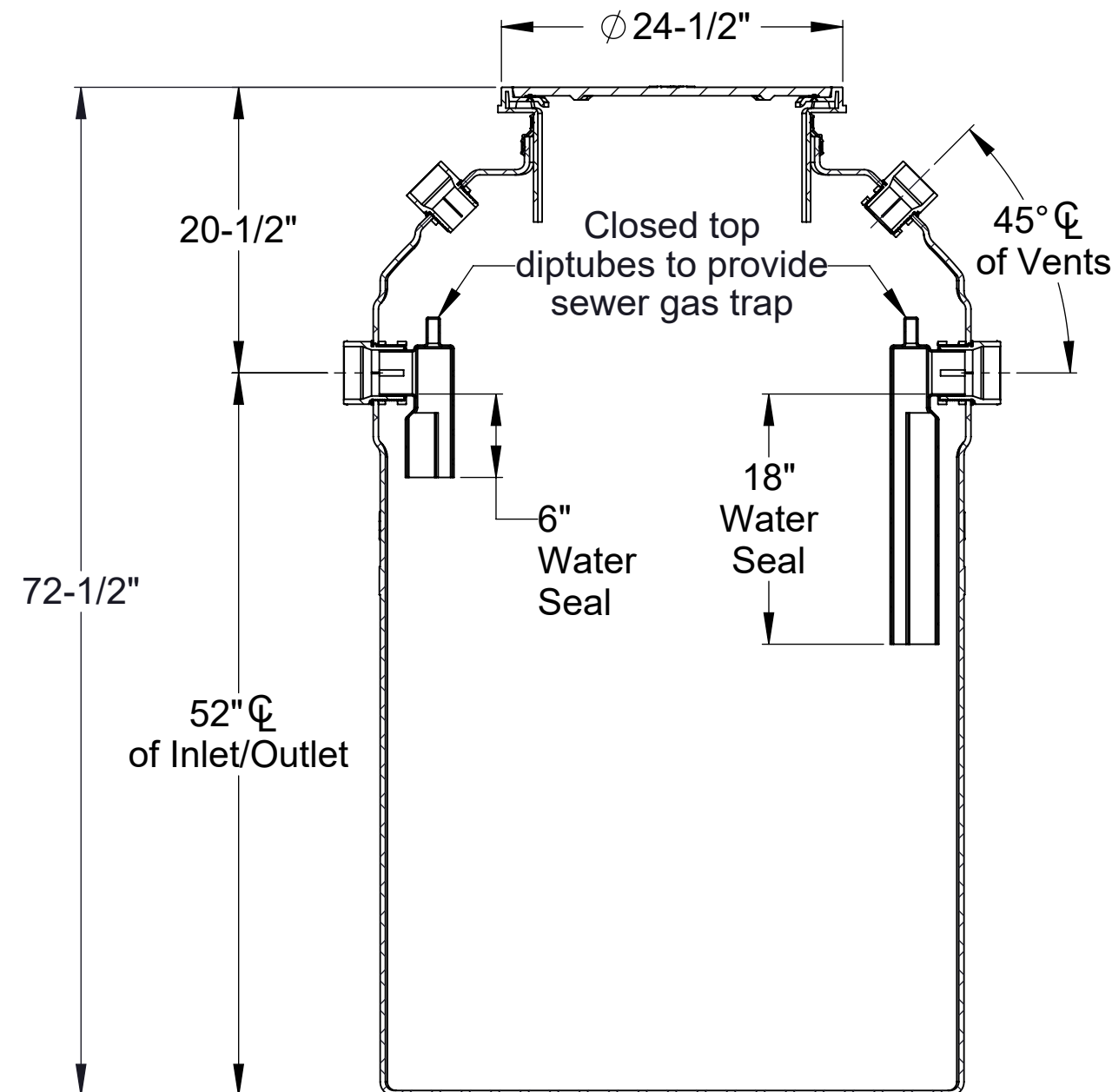
Striem flammable waste trap model FWT-35 shall be lifetime guaranteed and made in the USA. FWT-35 shall be constructed of polyethylene. FWT-35 shall be manufactured for above- or below-grade installation. Field-adjustable riser system is available as an option to bring manhole cover to grade. FWT-35 liquid holding capacity shall be 262 gallons and flammable waste capacity shall be 89 gallons. Solids capacity shall be 163 gallons. Cover shall provide water/gas-tight seal and have a maximum 16,000 lbs. load capacity.



**END VIEW**



**TOP VIEW**



**SECTION A-A**

**OPTIONS**

**Connection Options (Plain End Only)**

**Inlet / Outlet**

- 4"
- 6"

**Riser Options**

**Minimum Burial Depth: 12"**

- Up to 24": **SR24**
- Up to 39": **LR24**
- Up to 43": **SR24 (2)**
- Up to 58": **SR24 + LR24**
- Up to 72": **LR24 (2)**
- Up to 90": **SR24 + LR24 (2)**

**- OR -**

- CPRK: 12" - 90"** (See specification for more detail.)

**Additional Options**

- C24-HP: H2O Rated Pickable Cast Iron Cover**
- HDK-10: High Water Table Hold Down Kit**
- SS: Slick Stick™ Oil Level Monitoring System\***

\*Monitoring package will raise cover by 3"

**MODEL NUMBER:** FWT-35

**DESCRIPTION:**  
35 CUBIC FEET POLYETHYLENE  
FLAMMABLE WASTE TRAP,  
UNRATED

**DWG BY:** ENG    **DATE:** 1/12/2024    **REV:** 0

**SPECIFICATION SHEET**

Striem  
Kansas City, KS  
Tel: 913-222-1500  
orders@striemco.com  
www.striemco.com

Made in the U.S.A

