

**SPECIFICATIONS**

1. 4" Plain End inlet/outlet, 4" Plain End vents, C24-H covers standard.
2. Max flow rate: 100 GPM.
3. Liquid capacity: 250 gallons (33.4 cu. ft.)
4. Oil capacity: 50 gallons.
5. Solids capacity: 160 gallons.
6. Unit weight w/ standard covers: 225 lbs.; w/ cast iron covers: 345 lbs.
7. Maximum operating temperature 140°F continuous.

**NOTES**

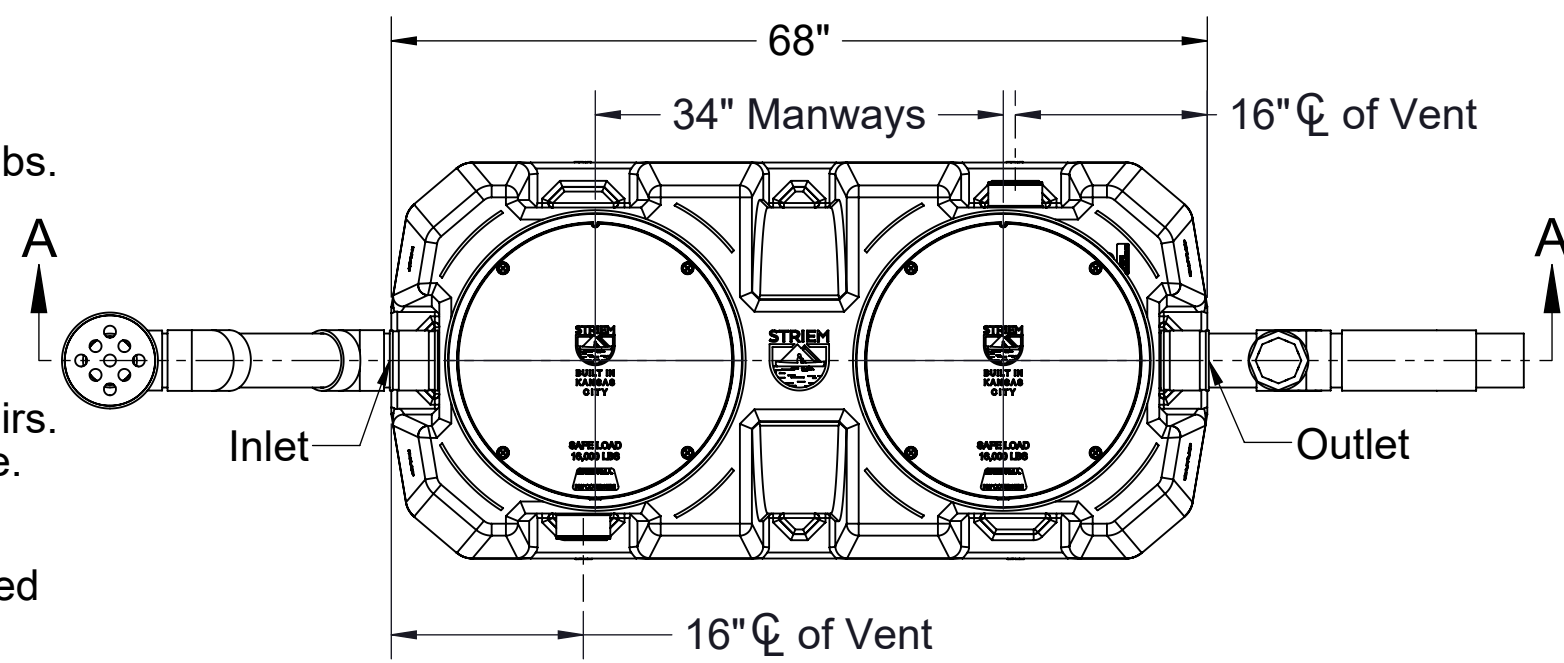
1. For gravity drainage applications only.
2. Do not use for pressure applications.
3. Narrow footprint allows clearance through doorways and down stairs.
4. Cover placement allows full access to tank for proper maintenance.

**ENGINEER SPECIFICATION GUIDE**

Striem oil separator model OS-100-OMAHA shall be lifetime guaranteed and made in the USA. Separator shall be constructed of polyethylene. Separator shall be manufactured for above- or below-grade installation, Field-adjustable riser system is available as an option to bring manhole covers to grade. Separator flow rate shall be 100 GPM. Separator liquid holding capacity shall be 250 gallons and oil capacity shall be 50 gallons. Solids capacity shall be 160 gallons. Covers shall provide water/gas-tight seal and have a maximum 16,000 lbs load capacity.

**THIRD PARTY STRUCTURAL ANALYSIS**

The OS-100-OMAHA has been structurally analyzed in accordance with the requirements of IBC 2012 and ASCE/SEI 7 for direct burial. The maximum burial depth and backfill material are specified in our installation instructions. The structural design has been reviewed and sealed by a professional engineer registered in the state of California. A sealed structural analysis report is available upon request.



**TOP VIEW**

**OPTIONS**

**Riser Options**

**From Factory:** Up to 5"

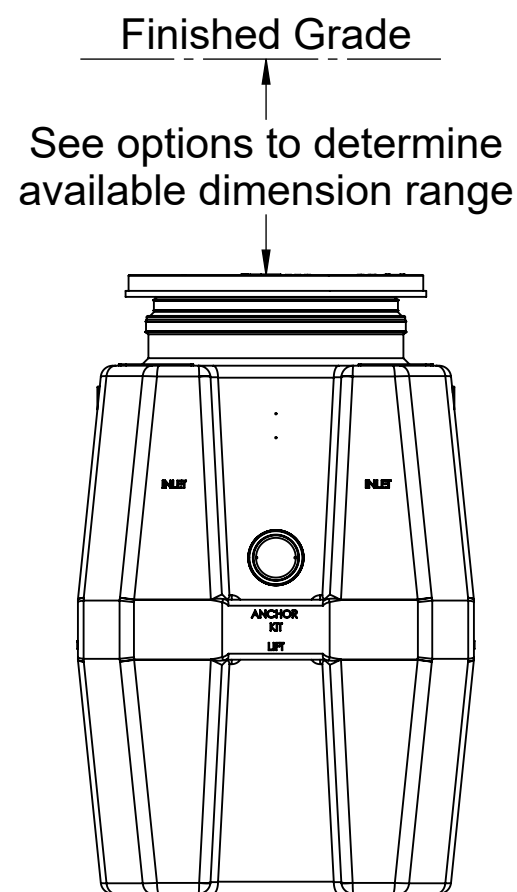
- Up to 24": **SR24** (2)
- Up to 39": **LR24** (2)
- Up to 43": **SR24** (4)
- Up to 58": **SR24** (2) + **LR24** (2)
- Up to 72": **LR24** (4)
- Up to 90": **SR24** (2) + **LR24** (4)

**-OR-**

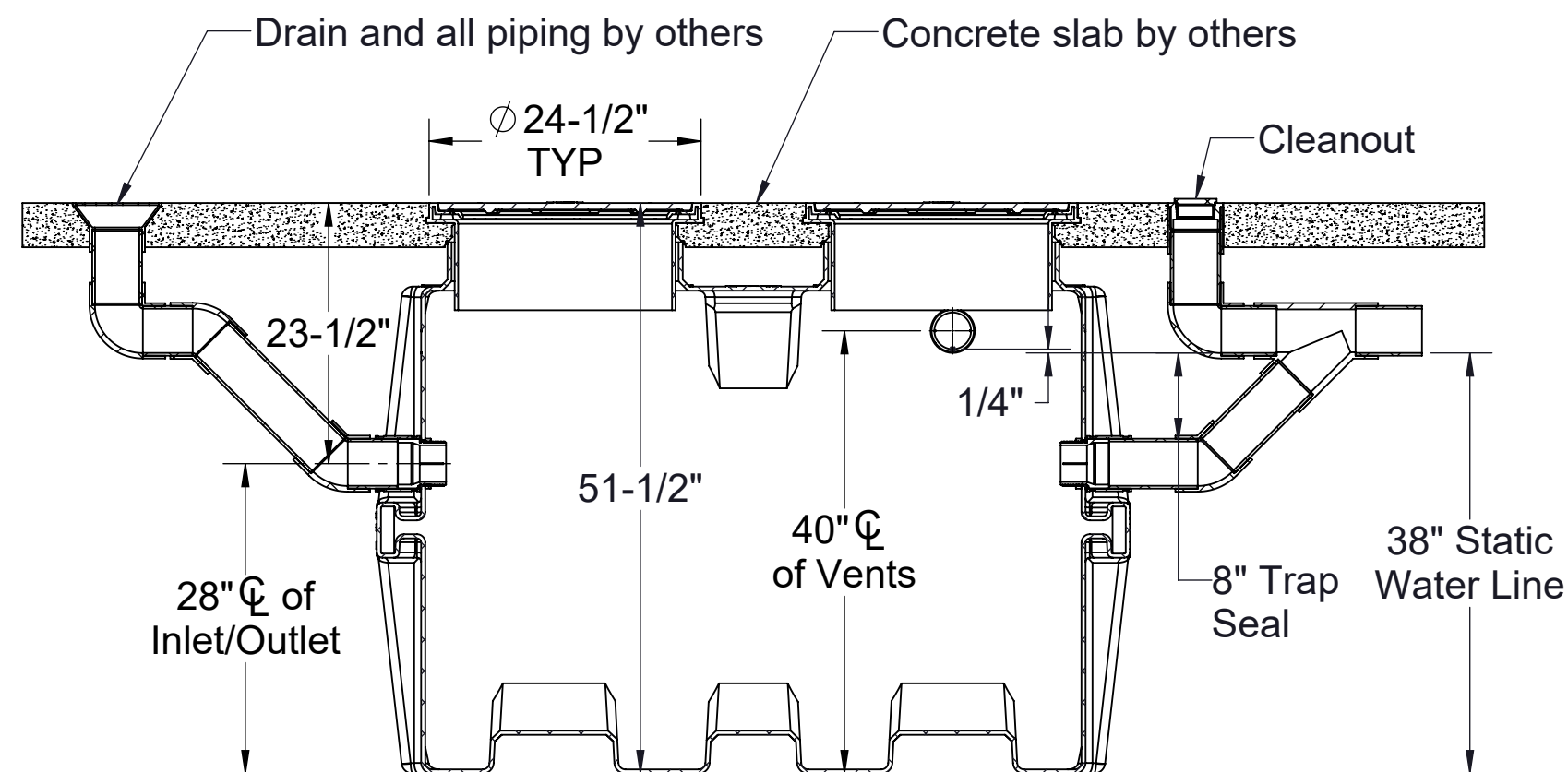
- CPRK** (2): 11" - 90" (See specification for more detail.)

**Additional Options**

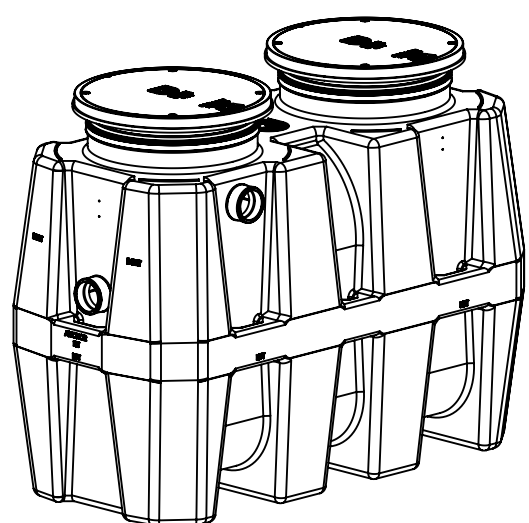
- HDK-2**: High Water Table Hold Down Kit
- C24-HP** (2): H2O Rated Pickable Cast Iron Cover



**END VIEW**



**SECTION A-A**



**MODEL NUMBER:** OS-100-OMAHA

**DESCRIPTION:**  
OMAHA TYPE 1 & 2 INTERCEPTOR

**DWG BY:** ENG    **DATE:** 1/12/2024    **REV:** 0

**SPECIFICATION SHEET**

Striem  
Kansas City, KS  
Tel: 913-222-1500  
orders@striemco.com  
www.striemco.com

Made in the U.S.A

