

SPECIFICATIONS

1. 4" Plain End inlet/outlet, 3" Plain End vents, C24-H cover standard.
2. Certified max flow rate: 50 GPM.
3. Liquid capacity: 110 Gallons (14.7 cu. ft.).
4. Oil capacity: 27.5 Gallons.
5. Solids capacity: 11 Gallons.
6. Unit weight w/ standard cover: 120 lbs.; w/ cast iron cover: 180 lbs.
7. Maximum operating temperature 140°F continuous.

NOTES

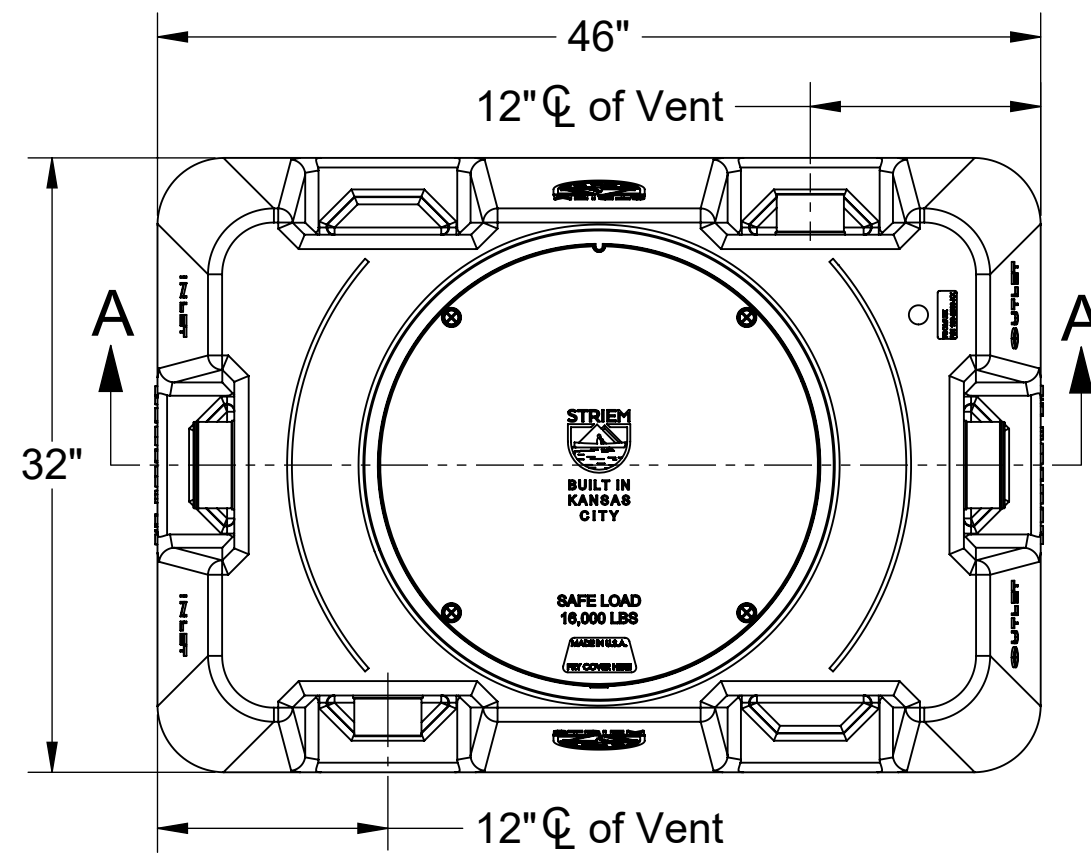
1. Engineered inlet diffuser efficiently separates oil from water.
2. For gravity drainage applications only.
3. Do not use for pressure applications.
4. Cover placement allows full access to tank for proper maintenance.

ENGINEER SPECIFICATION GUIDE

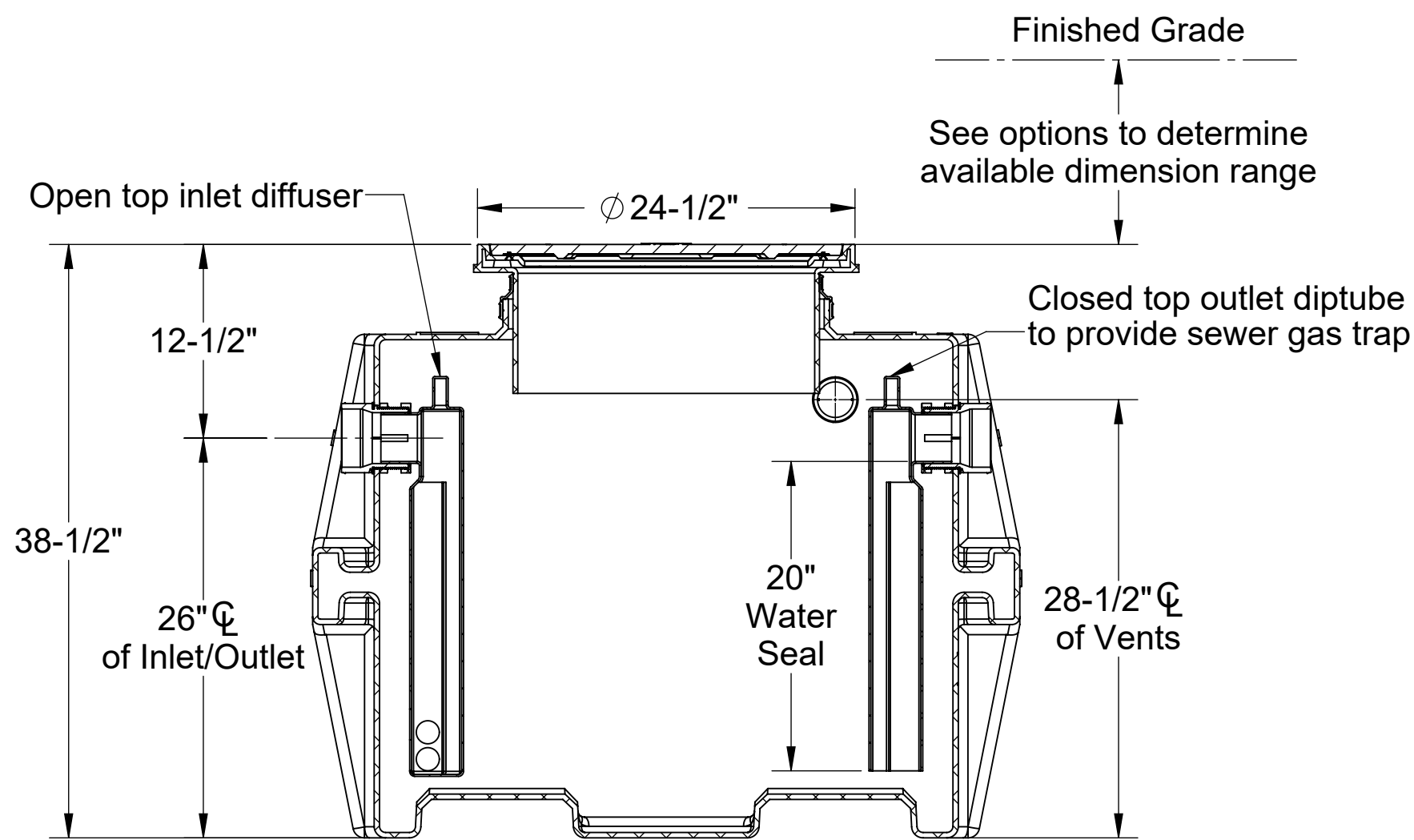
Striem high efficiency oil/water separator model OS-75 shall be lifetime guaranteed and made in the USA. Separator shall be certified to IAPMO IGC 325 and carry a UPC listing. Separator shall be constructed of polyethylene. Separator shall be manufactured for above- or below-grade installation. Field-adjustable riser system is available as an option to bring manhole cover to grade. Separator flow rate shall be 50 GPM. Separator liquid holding capacity shall be 110 gallons and oil capacity shall be 27.5 gallons. Solids capacity shall be 11 gallons. Cover shall provide water/gas-tight seal and have a maximum 16,000 lbs. load capacity.

IAPMO IGC 325 CERTIFICATION

The OS-75 has been third party certified by IAPMO to the IGC 325 standard. The OS-75 achieved an average 99% efficiency rating at 50 GPM up to the maximum oil capacity of 27.5 gallons. The structural design has been approved and stamped by a licensed structural engineer for direct burial in accordance with Striem's installation instructions.

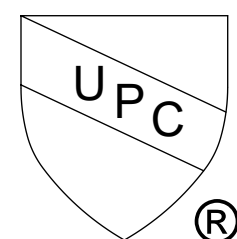
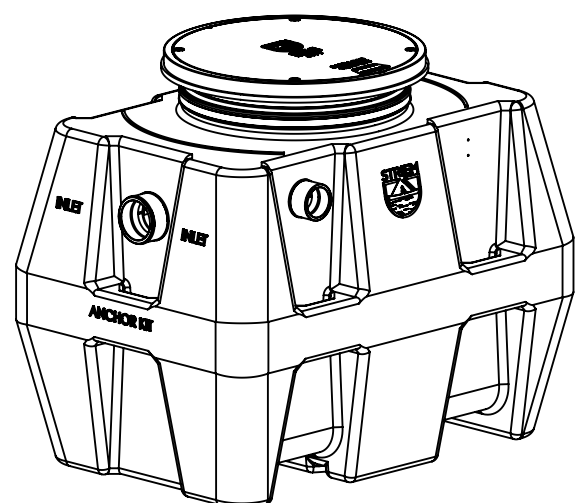


TOP VIEW



SECTION A-A

OPTIONS	
Connection Options (Plain End Only)	
Inlet / Outlet	
<input type="checkbox"/>	4"
<input type="checkbox"/>	6"
Riser Options	
From Factory: Up to 5"	
<input type="checkbox"/>	Up to 24": SR24
<input type="checkbox"/>	Up to 39": LR24
<input type="checkbox"/>	Up to 43": SR24 (2)
<input type="checkbox"/>	Up to 58": SR24 + LR24
<input type="checkbox"/>	Up to 72": LR24 (2)
-OR-	
<input type="checkbox"/>	CPRK: 11" - 72" (See specification for more detail.)
Additional Options	
<input type="checkbox"/>	HDK-2: High Water Table Hold Down Kit
<input type="checkbox"/>	C24-HP: H20 Rated Pickable Cast Iron Cover
<input type="checkbox"/>	SS: Slick Stick™ Oil Level Monitoring System*
*Monitoring system will raise covers by 3".	



PROPRIETARY AND CONFIDENTIAL
 THE INFORMATION CONTAINED IN THIS DRAWING IS THE SOLE PROPERTY OF STRIEM, LLC.
 ANY REPRODUCTION IN PART OR AS A WHOLE WITHOUT THE WRITTEN PERMISSION OF STRIEM, LLC. IS PROHIBITED.

MODEL NUMBER:	OS-75
DESCRIPTION:	50 GPM POLYETHYLENE HIGH EFFICIENCY OIL/WATER SEPARATOR
DWG BY:	ENG
DATE:	12/13/2023
REV:	2

SPECIFICATION SHEET

Striem
 Kansas City, KS
 Tel: 913-222-1500
 orders@striemco.com
 www.striemco.com

Made in the U.S.A

