

**SPECIFICATIONS**

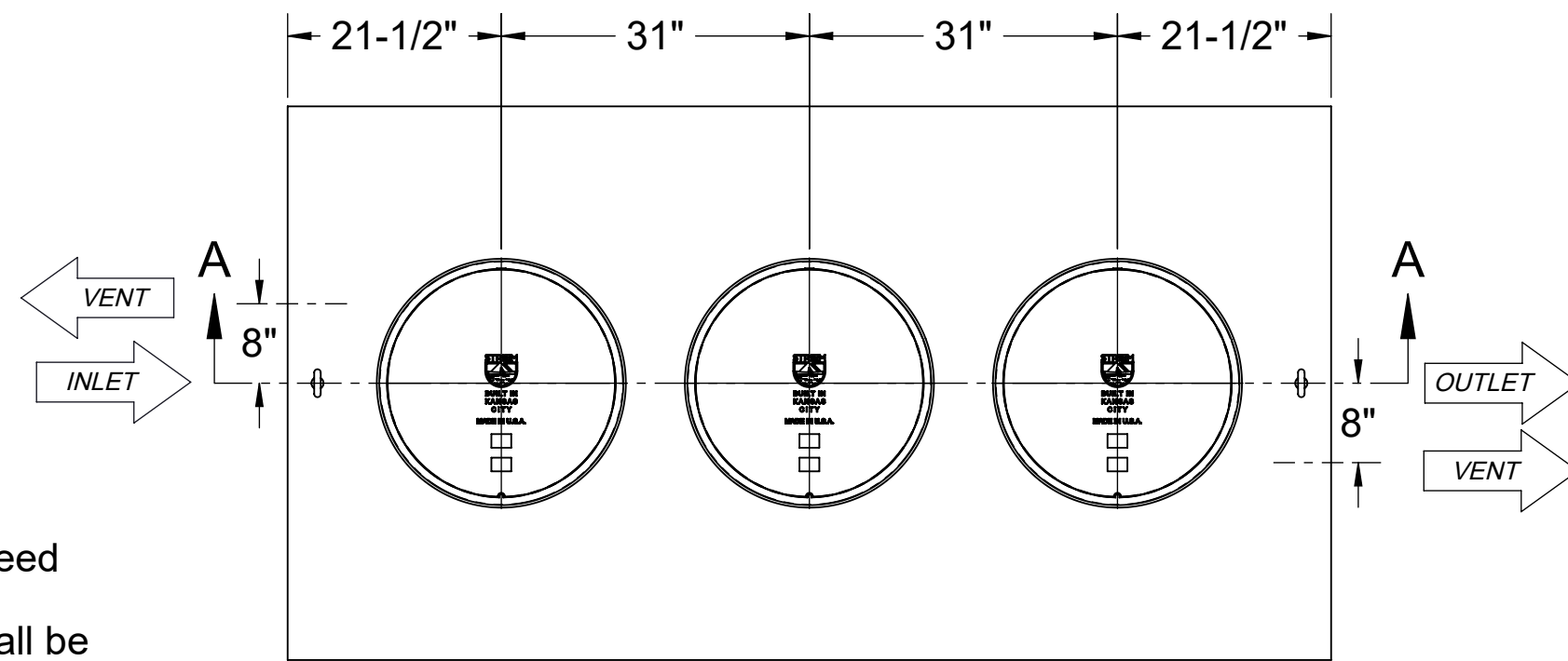
1. 6" Plain End inlet/outlet shown, 3" Plain End vents standard.
2. Max flow rate: 314 GPM.
3. Liquid capacity: 750 gallons (100 cu. ft.).
4. Oil capacity: 323 gallons.
5. Solids capacity: 295 gallons.
6. Unit weight: 1253 lbs.
7. Maximum operating temperature 140°F continuous.

**NOTES**

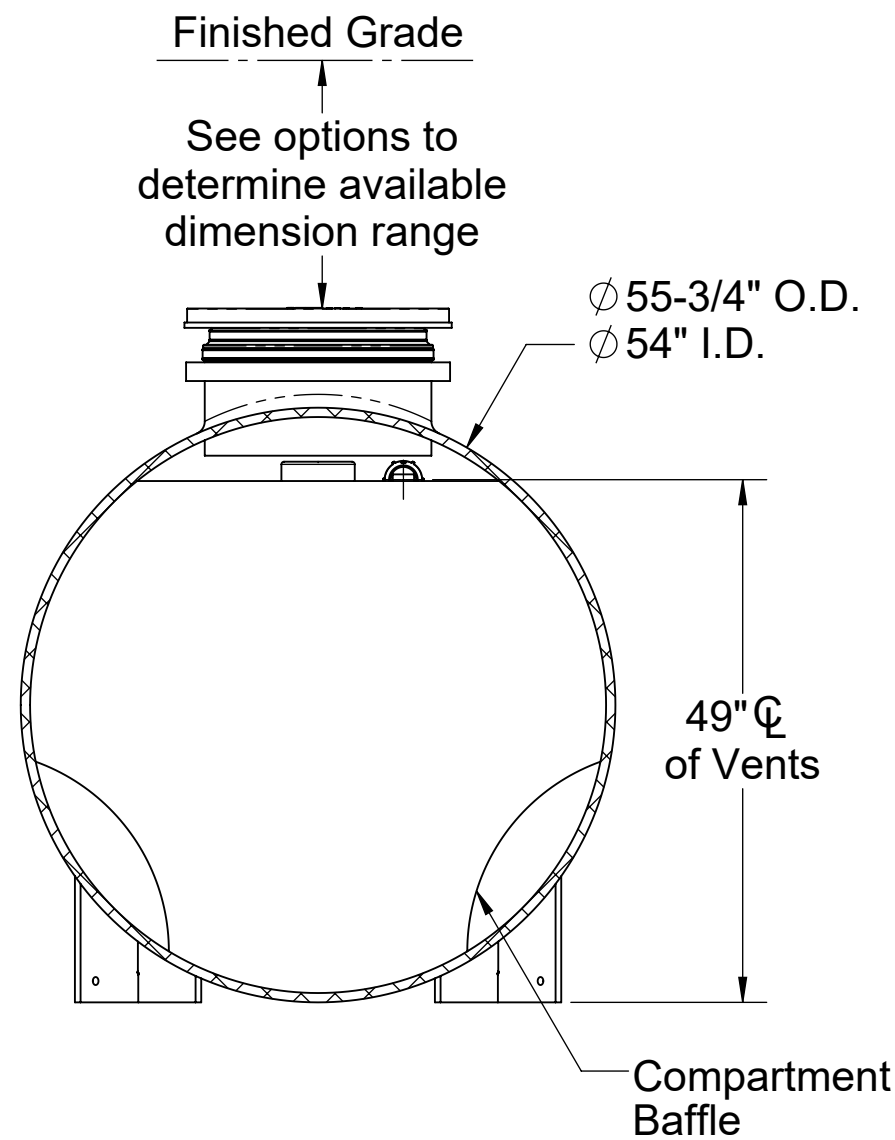
1. For gravity drainage applications only.
2. Do not use for pressure applications.
3. Cover placement allows full access to tank for proper maintenance.
4. Lifting lug set for easy install.

**ENGINEER SPECIFICATION GUIDE**

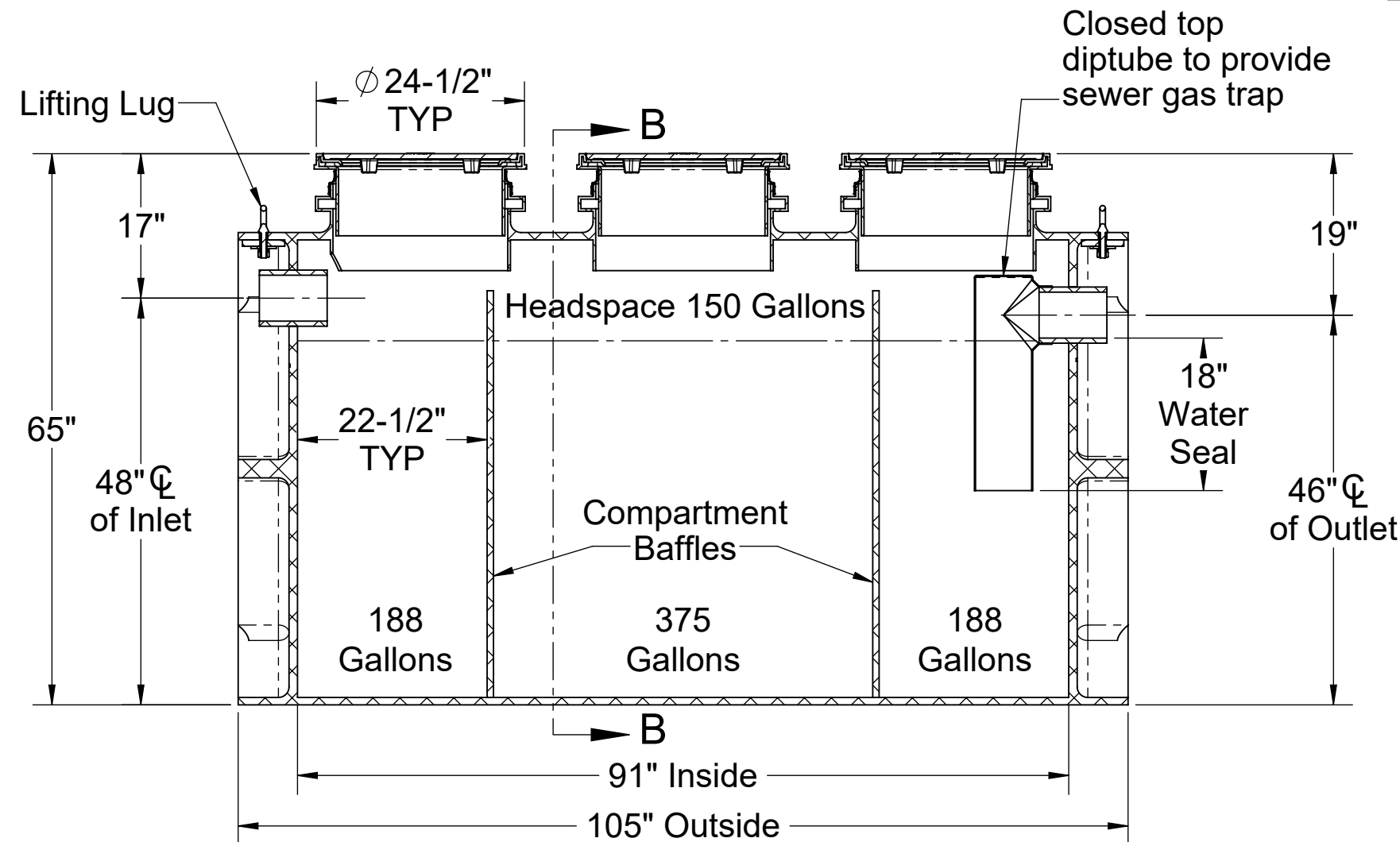
Striem oil separator model OT-750 shall be lifetime guaranteed and made in the USA. Separator shall be constructed of polyethylene with 7/8" nominal wall thickness. Separator shall be manufactured for below-grade installation. Field-adjustable riser system is available as an option to bring manhole covers to grade. Separator flow rate shall be 314 GPM. Separator liquid holding capacity shall be 750 gallons and oil capacity shall be 323 gallons. Solids capacity shall be 295 gallons. Covers shall be H20 rated pickable cast iron. Separator shall be certified to IAPMO IGC 183-2016 and carry a UPC listing.



**TOP VIEW**



**SECTION B-B**



**SECTION A-A**

**OPTIONS**

**Connection Options (Plain End Only)**

**Inlet / Outlet**

- 4"
- 6"
- 8"

**SELECTION REQUIRED**

**Riser Options**

**From Factory: Up to 5"**

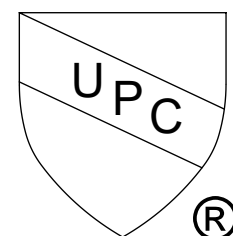
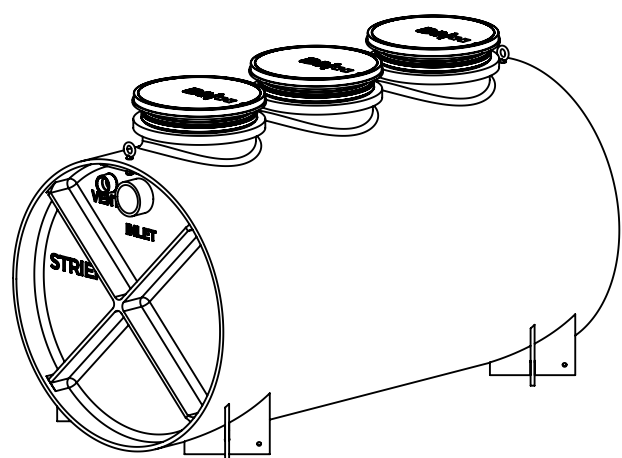
- Up to 24": **SR24** (3)
- Up to 39": **LR24** (3)
- Up to 43": **SR24** (6)
- Up to 58": **SR24** (3) + **LR24** (3)
- Up to 72": **LR24** (6)
- Up to 90": **SR24** (3) + **LR24** (6)
- Up to 106": **LR24** (9)

**- OR -**

- CPRK** (3): 11" - 106" (See specification for more detail.)

**Additional Options**

- HDK-4**: High Water Table Hold Down Kit
  - SS**: Slick Stick™ Oil Level Monitoring System\*
- \*Monitoring system will raise covers by 3".



**PO IS NON-CANCELABLE  
ORDER IS NON-RETURNABLE**

**MODEL NUMBER:** OT-750

**DESCRIPTION:**  
OIL TANKER™  
POLYETHYLENE OIL SEPARATOR  
750 GALLON CAPACITY

**SPECIFICATION SHEET**

Striem  
Kansas City, KS  
Tel: 913-222-1500  
orders@striemco.com  
www.striemco.com

Made in the U.S.A

