

SPECIFICATIONS

1. 3" Plain End inlet/outlet standard.
2. Max flow rate: 25 GPM.
3. Liquid capacity: 21 Gallons.
4. Solids capacity: 10 Gallons.
5. Unit weight: 37 lbs.
6. Maximum operating temperature 140°F continuous.

NOTES

1. For gravity drainage applications only.
2. Do not use for pressure applications.
3. Cover placement allows full access to tank for proper maintenance.
4. Removable filter screen for easy maintenance.

ENGINEER SPECIFICATION GUIDE

Striem solids interceptor model PS-25-S shall be lifetime guaranteed and made in the USA. Interceptor shall be constructed of polyethylene. Interceptor shall be manufactured for above- or below-grade installation. Field-adjustable riser system is available as an option to bring manhole cover to grade. Interceptor shall have corrosion-resistant removable filter screen with 1/4" perforations. Interceptor liquid holding capacity shall be 21 gallons and solids capacity shall be 10 gallons. Cover shall provide water/gas-tight seal and have a maximum 450 lbs. load capacity when unit is installed above-grade, and 2,500 lbs. when buried with SR16 Riser.

OPTIONS

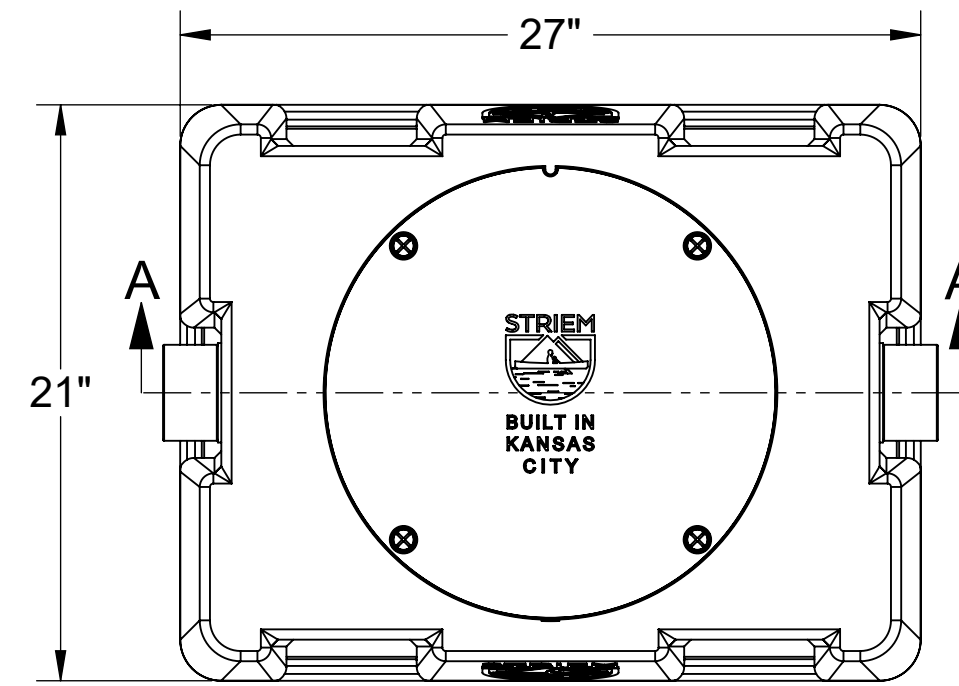
Connection Options (Plain End Only)

Inlet / Outlet

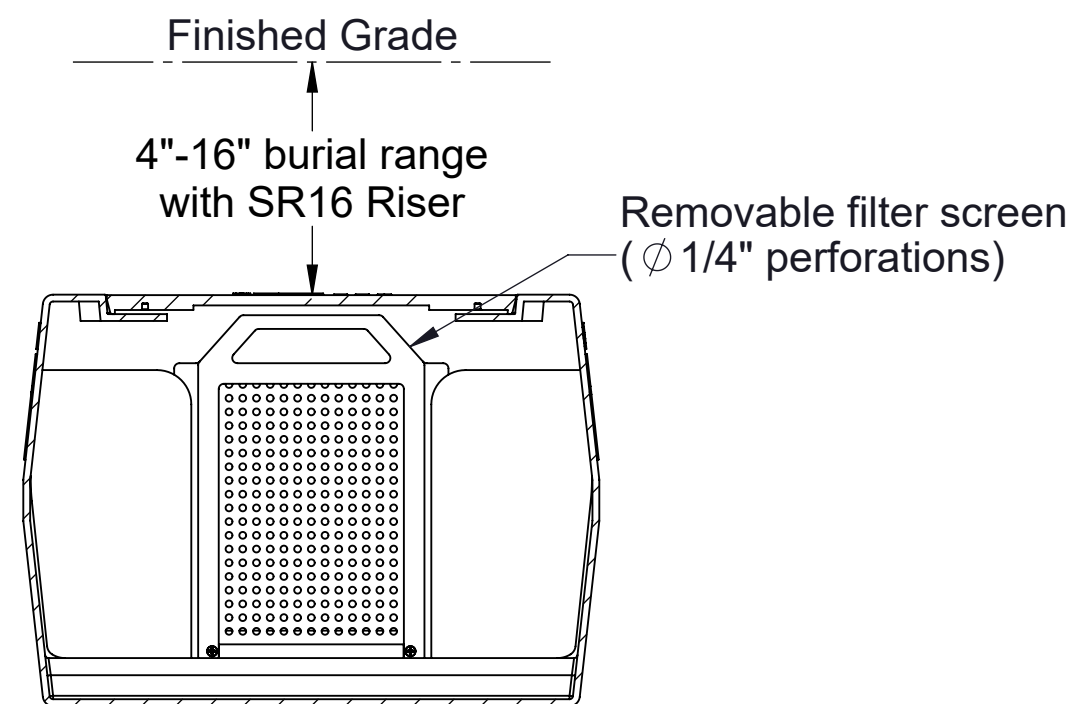
- 2"
- 3"

Additional Options

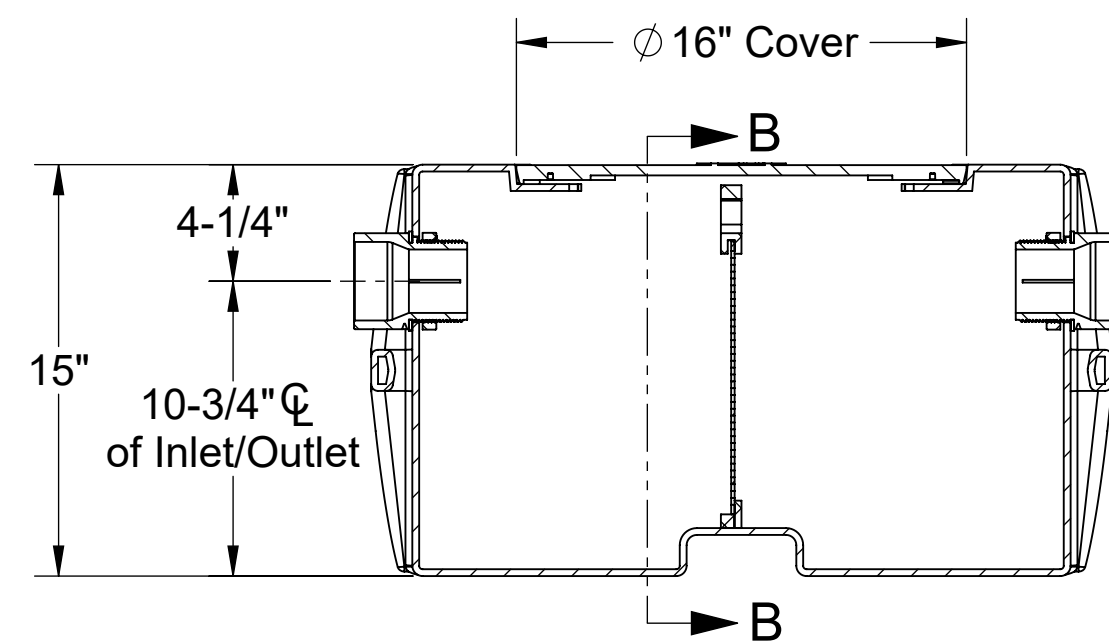
- SR16 Riser: 4"-16" Burial Range**



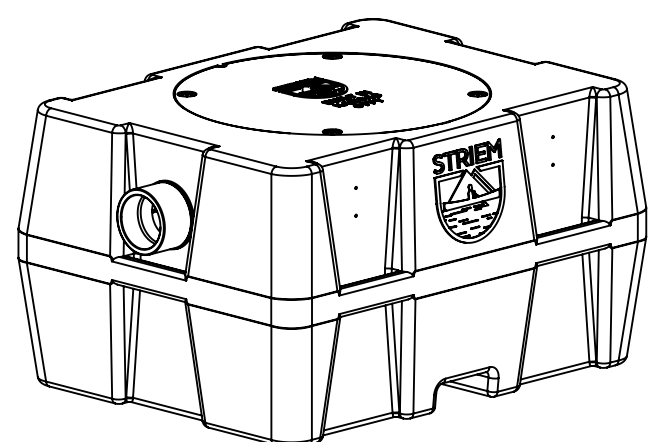
TOP VIEW



SECTION B-B



SECTION A-A



PROPRIETARY AND CONFIDENTIAL
 THE INFORMATION CONTAINED IN THIS DRAWING IS THE SOLE PROPERTY OF STRIEM, LLC.
 ANY REPRODUCTION IN PART OR AS A WHOLE WITHOUT THE WRITTEN PERMISSION OF STRIEM, LLC. IS PROHIBITED.

MODEL NUMBER: PS-25-S		SPECIFICATION SHEET	
DESCRIPTION: POLYETHYLENE SCREEN STYLE SOLIDS INTERCEPTOR 25 GALLON LIQUID CAPACITY			
DWG BY: ENG	DATE: 1/15/2024	REV: 1	Striem Kansas City, KS Tel: 913-222-1500 orders@striemco.com www.striemco.com Made in the U.S.A