

SPECIFICATIONS

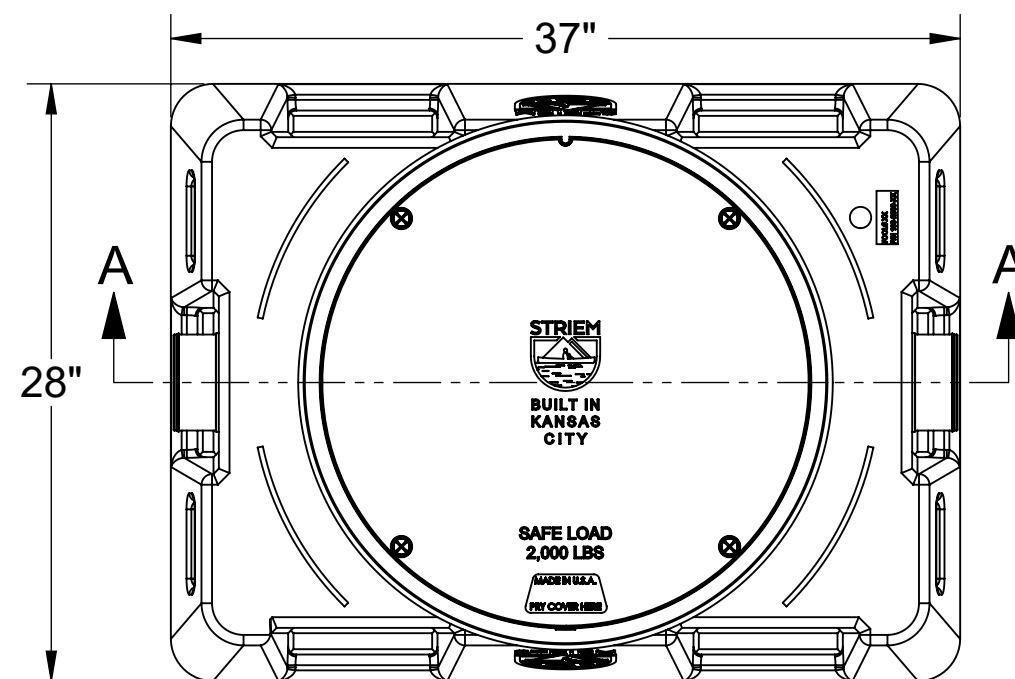
1. 4" Plain End inlet/outlet, C24-M cover standard.
2. Max flow rate: 50 GPM.
3. Liquid capacity: 57 Gallons.
4. Solids capacity: 29 Gallons.
5. Unit weight w/ standard cover: 103 lbs.; w/ cast iron cover: 163 lbs.
6. Maximum operating temperature 140°F continuous.

NOTES

1. For gravity drainage applications only.
2. Do not use for pressure applications.
3. Cover placement allows full access to tank for proper maintenance.
4. Removable filter screen for easy maintenance.

ENGINEER SPECIFICATION GUIDE

Striem solids interceptor model PS-50-S shall be lifetime guaranteed and made in the USA. Interceptor shall be constructed of polyethylene. Interceptor shall be manufactured for above- or below-grade installation. Field-adjustable riser system is available as an option to bring manhole cover to grade. Interceptor shall have corrosion-resistant removable filter screen with 1/4" perforations. Interceptor liquid holding capacity shall be 57 gallons and solids capacity shall be 29 gallons. Cover shall provide water/gas-tight seal and have a maximum 2,000 lbs. load capacity.



TOP VIEW

OPTIONS

Connection Options (Plain End Only)

Inlet / Outlet

- 2"
- 3"
- 4"

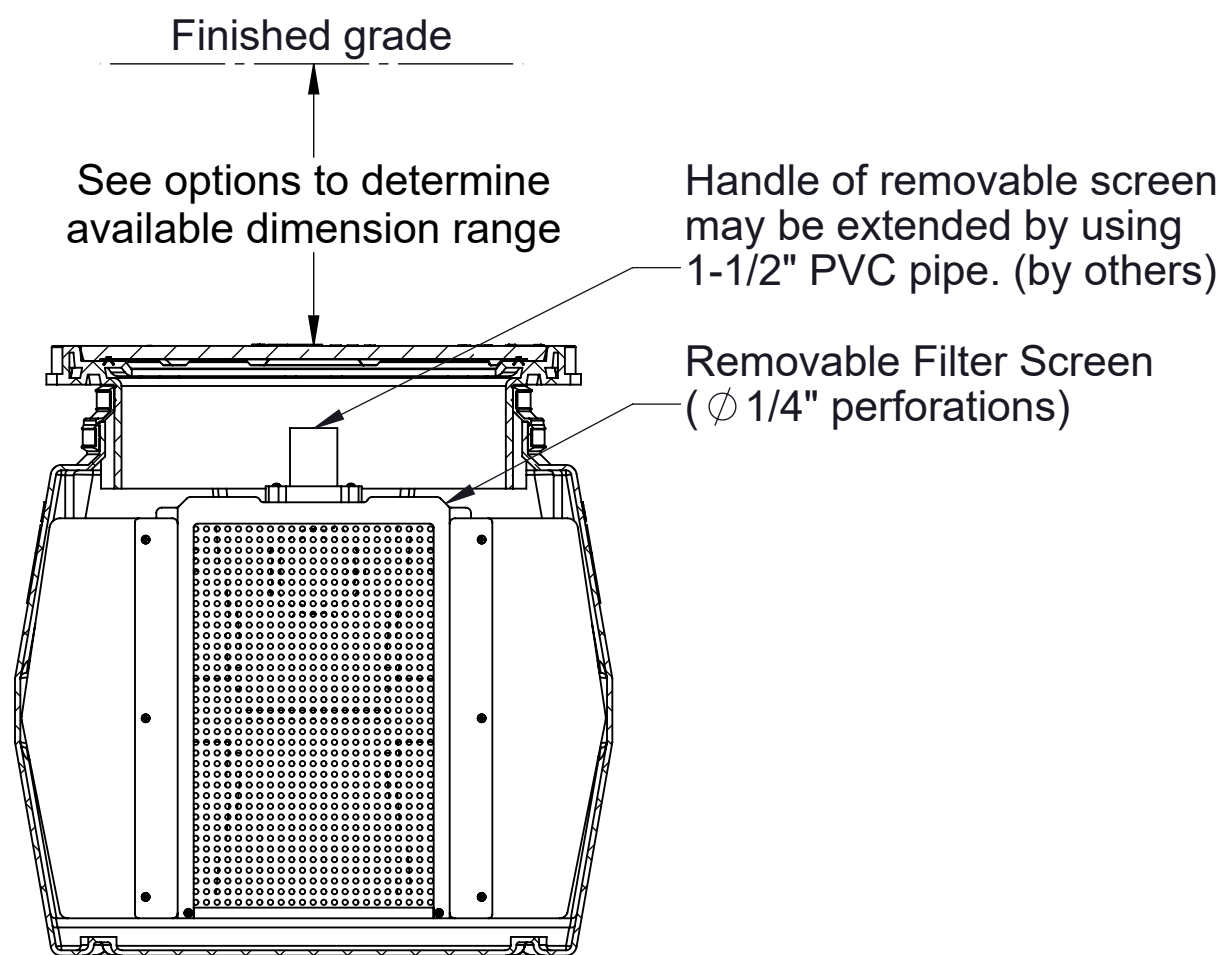
Riser Options

From Factory: Up to 5"

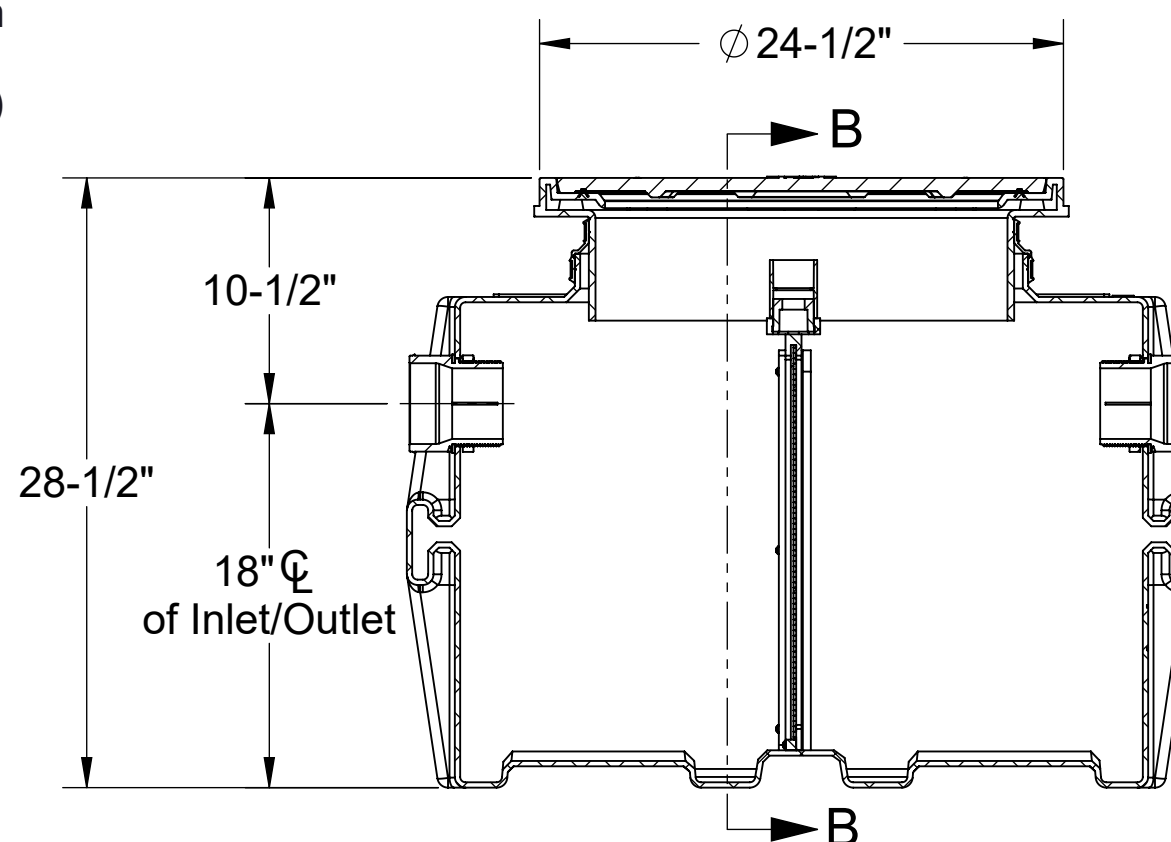
- Up to 24": **SR24**
- Up to 39": **LR24**

Additional Options

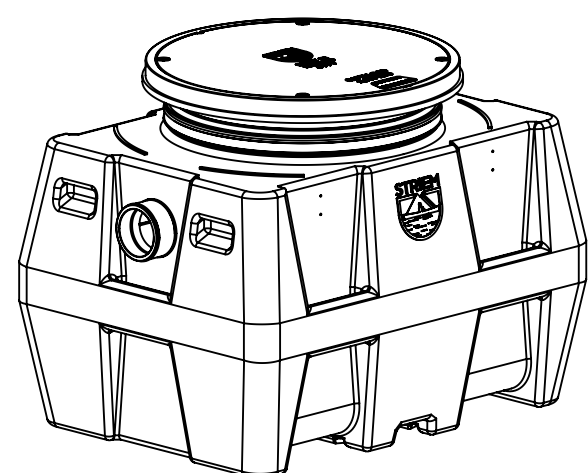
- HDK-2:** High Water Table Hold Down Kit
- C24-H:** Highway Rated Bolted Composite Cover
- C24-HP:** H20 Rated Pickable Cast Iron Cover



SECTION B-B



SECTION A-A



PROPRIETARY AND CONFIDENTIAL
THE INFORMATION CONTAINED IN THIS DRAWING IS THE SOLE PROPERTY OF STRIEM, LLC. ANY REPRODUCTION IN PART OR AS A WHOLE WITHOUT THE WRITTEN PERMISSION OF STRIEM, LLC. IS PROHIBITED.

MODEL NUMBER: PS-50-S

DESCRIPTION:
POLYETHYLENE SCREEN STYLE
SOLIDS INTERCEPTOR
57 LIQUID GALLON CAPACITY

DWG BY: ENG **DATE:** 1/15/2024 **REV:** 3

SPECIFICATION SHEET

Striem
Kansas City, KS
Tel: 913-222-1500
orders@striemco.com
www.striemco.com

Made in the U.S.A

