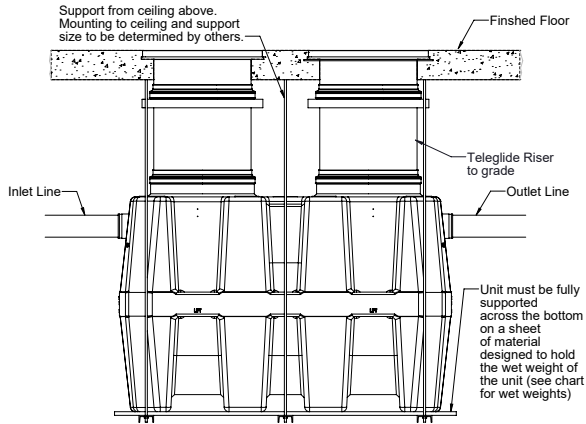


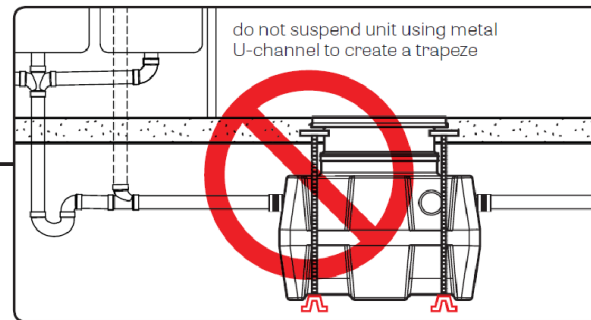
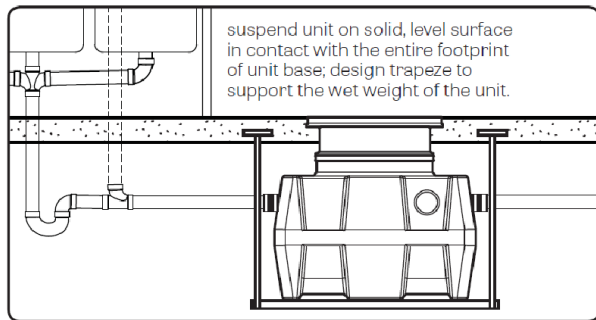
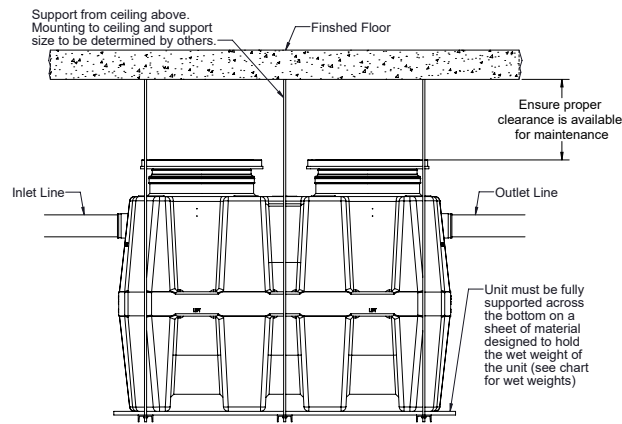


SUSPENDED UNIT INSTALLATION INSTRUCTIONS

**SUSPENDED UNIT INSTALLATION DETAIL
ACCESSED FROM FLOOR ABOVE**



**SUSPENDED UNIT INSTALLATION DETAIL
ACCESSED FROM SAME FLOOR**



OS SERIES

UNIT	WET WEIGHT (lbs)
OS-25	210
OS-50	570
OS-75	1040
OS-100	2310

SCREEN STYLE

UNIT	WET WEIGHT (lbs)
PS-25-S	210
PS-50-S	580
PS-275-S	2350

SAND INTERCEPTORS

UNIT	WET WEIGHT (lbs)
CB-50-S	570
CB-50-G	670
CB-125-S	1040
CB-125-G	1140
CB-275-S	2310

BIO BASIN

UNIT	WET WEIGHT (lbs)
BB-275	2310

MARKET SPECIFIC

UNIT	WET WEIGHT (lbs)
FLI-125	1040
FLI-275	2310
OCT-50	570
OCT-125	1040
OCT-275	2310
SI-UPC-1016	2500

AARDVARK™

UNIT	WET WEIGHT (lbs)
AA-2	180
AA-3	170
AA-4	160
AA-6	140



📞 913-222-1500 ✉️ HELP@STRIEMCO.COM 🖱️ STRIEMCO.COM

CUSTOMER SERVICE HOURS: Mon-Fri, 8 am - 5 pm CST