



AARDVARK™

SOLIDS INTERCEPTOR

Installation, Operation, & Maintenance Guide

AARDVARK

SOLIDS INTERCEPTOR

Installation, Operation, & Maintenance Guide

OVERVIEW

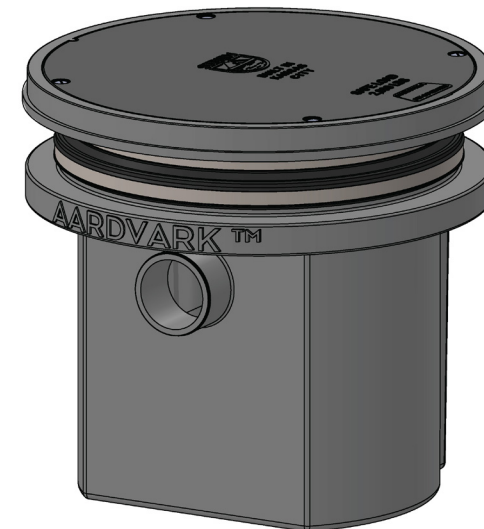
Striem Aardvark™ is a polyethylene solids interceptor intended for above- or below-grade installation. It is designed to capture heavy and suspended solids from in-line drainage applications and keep them from entering the sewage system.

OPERATION

Solids laden wastewater enters the unit through the inlet connection, and flows into the perforated basket. Solids collect in the basket as solids laden wastewater flows through the unit. The basket is easily removed to prevent the solids from entering the public sewer or private septic system.

LIFETIME WARRANTY

Our products are designed to last the lifetime of the plumbing system in which they are installed. If they don't, we will repair or replace them at no charge. Product damage due to normal wear and tear may be repaired or replaced at a reasonable charge. See website for full details.



AARDVARK™ SERIES
SOLIDS INTERCEPTOR

913-222-1500 HELP@STRIEMCO.COM STRIEMCO.COM

CUSTOMER SERVICE HOURS: 8 AM - 5 PM CST



WARNING



DO NOT AIR PRESSURE TEST UNIT!

DOING SO MAY RESULT IN PROPERTY DAMAGE,
SERIOUS BODILY INJURY, OR DEATH!

Refer to Installation Instructions for correct testing procedure.

LEAK/SEAL TESTING

Do not air test unit or Teleglide Riser system! Doing so may result in property damage, personal injury or death.

To perform a leak/seal test on the base unit, cap/plug all plumbing connections, remove the cover, and fill the unit with water just above the highest connection. Inspect unit and connections for leaks. Check water level at specific time intervals per local code.

MAINTENANCE

- 1 Always take proper care to ensure a safe and healthy environment while maintaining the solids interceptor.
- 2 Remove cover.
- 3 Remove basket and empty contents into proper receptacle. Cover can be easily removed to assist in cleaning.
- 4 If there are concerns about fine debris in the main body, it can be pumped clean.
- 5 Replace basket in main body. Confirm basket is fully inserted in main body to ensure proper function. Basket insertion may offer resistance as it seats into tank.
- 6 Fill unit with water to the invert of the outlet.
- 7 Inspect cover gasket for wear and tear and replace cover.
- 8 Dispose of contents per local code.

MAINTENANCE FREQUENCY

Aardvark must be maintained prior to reaching maximum solids capacity for the unit to continue working efficiently.

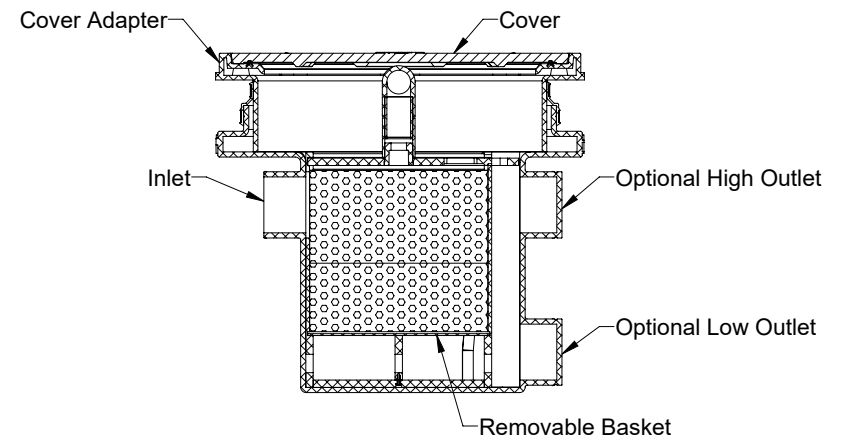
Frequency of basket evacuation depends on the amount of solids in the wastewater. Monitor basket solids capacity to determine site specific maintenance schedule requirements.

Fine solids and sediments may settle in the main body of the unit. These may be removed at the end-user's discretion. Frequency depends on the size and amount of solids in the wastewater.

TROUBLESHOOTING TIPS

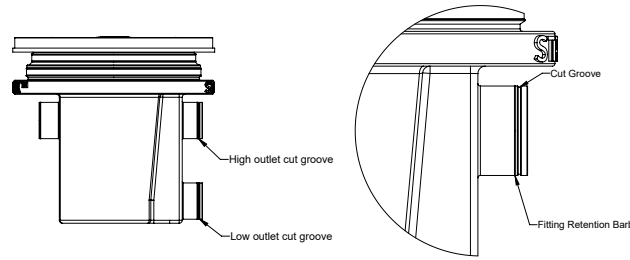


Slower than usual drainage may indicate a blockage and a need to maintain the solids interceptor. Ensure the drain lines, basket, inlet, and outlet are cleared of all debris in the presence of slow drainage.



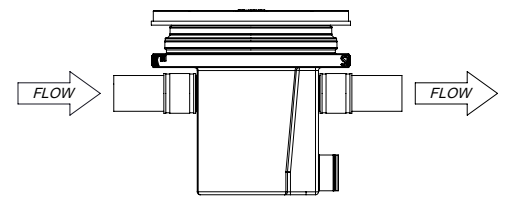
CHOOSING WHICH OUTLET TO USE

- 1 The Aardvark comes with an optional high, or low outlet. The low outlet can be used to achieve a dry basket for increased performance and easy maintenance. The high outlet can be used to accommodate more traditional piping layouts.
- 2 After choosing which outlet to use, cut off the flashed over end-cap of the chosen outlet.
- 3 Unit is ready for installation.



ABOVE GRADE INSTALLATION INSTRUCTIONS

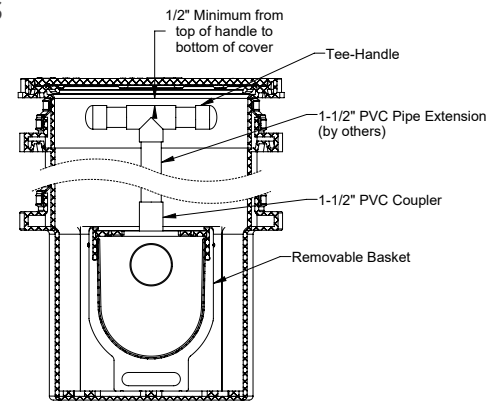
- 1 Connect waste piping to unit.
- 2 Fill Aardvark with water to outlet invert.
- 3 Ensure cover is properly installed.



BELOW GRADE INSTALLATION INSTRUCTIONS

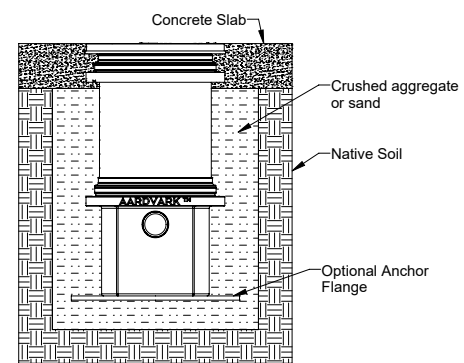
TEE-HANDLE

- 1 Determine distance between desired handle placement at grade and PVC coupler.
- 2 Cut 1-1/2" PVC pipe to extend handle.
- 3 Glue both ends of the extension pipe to the female socket connection of the coupler and tee-handle for final installation.
- 4 Cover and tee-handle can be easily removed and replaced to assist in maintenance.



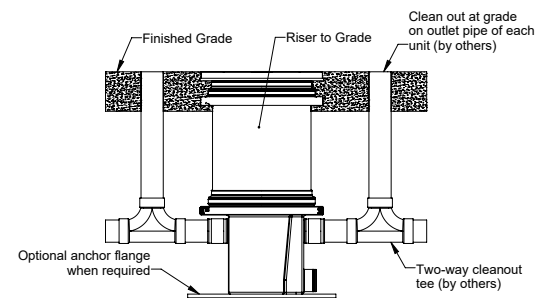
EXCAVATION

- 1 Surrounding soil must be undisturbed soil or well compacted engineering fill.
- 2 Width and length of excavation shall be minimum 12" greater than the tank on all sides.
- 3 Depth of excavation shall be 6" deeper than tank bottom.



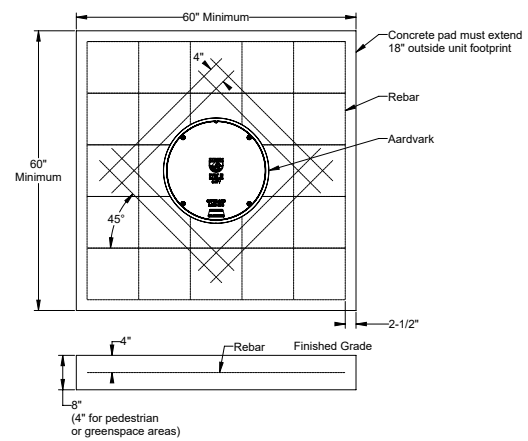
UNIT INSTALLATION

- 1 Lower and center the unit into the excavated hole. Do not use chains or accessways to move the unit.
- 2 The water table must not exceed the tank height prior to the addition of risers.
- 3 Ensure the unit cover is level with finished grade.
- 4 Fill Aardvark with water before backfilling to stabilize the unit and prevent float out during backfilling.
- 5 Anchor flange is recommended for installation in high water table conditions to prevent float out.



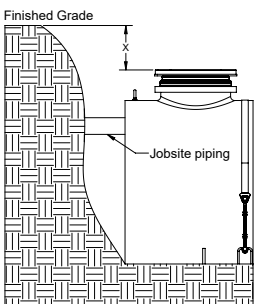
BACKFILLING & FINISHED CONCRETE SLAB

- 1 Preparation of sub grade per geotech recommendations.
- 2 Stabilize and compact sub grade to 95% proctor.
- 3 Before backfilling and pouring of slab, secure covers and risers (if used) to the unit.
- 4 Place 6" aggregate base under slab. Aggregate should be 3/4" size rock, or sand, with no fines.
- 5 Backfill using crushed aggregate material approximately 3/4" size rock, or sand, with no fines.
- 6 Thickness of concrete slab around the covers to be 8" for traffic loading. Thickness of concrete slab around the covers to be 4" for pedestrian or greenspace areas.
- 7 Concrete slab cannot interfere with the tank body below the risers.
- 8 Concrete to be 28 day compressive strength to 4000 PSI with 6 ± 1% air entrainment.
- 9 NO. 4 rebar (1/2") grade 60 steel per ASTM A615: connected with tie wire.
- 10 Rebar to be 2 1/2" from edge of concrete.



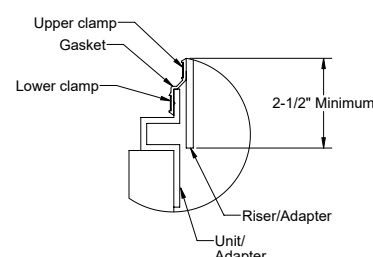
TELEGLIDE RISER | INSTALLATION INSTRUCTIONS

- 1
 - Place Aardvark so that the pipe connections line up with jobsite piping.
 - Measure dimension X to determine riser height needed.
 - Select the required riser from the adjacent table. Riser chart shows quantity for each tank manway.

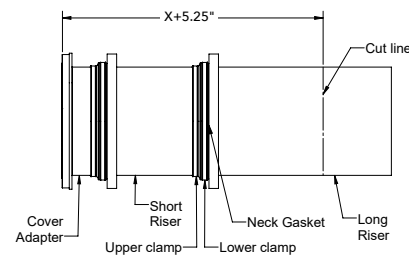


Standard Cover Adapter	
Riser Height Needed	Risers Required Per Manway
0" - 5"	None
5" - 24"	SR24 (1)
24" - 39"	LR24 (1)

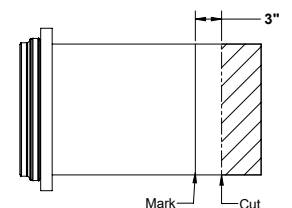
- 2
 - Loosen upper clamp with **nut driver bit (included with tank)**.
 - If no risers are needed, adjust cover adapter height as needed.
 - Ensure 2-1/2" minimum engagement is maintained.
 - If risers are needed, remove cover from cover adapter, and cover adapter from the unit.



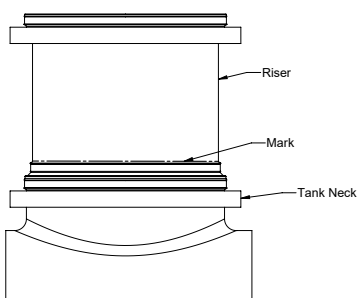
- 3
 - Insert cover adapter into the riser, if required, until it stops.
 - Tighten upper clamp to keep risers from shifting.
 - If using a standard cover adapter, measure the riser height needed, X + 5.25" down the sidewall of the risers.
 - Mark the location with **china marker (included with tank)**.
 - Cover adapter may need to be adjusted outward for some dimension ranges. If mark is at the end of riser, no cutting is required.



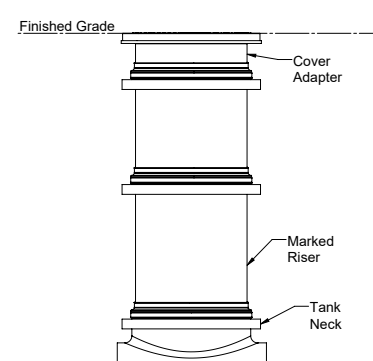
- 4
 - Uninstall cover adapter and riser
 - Extend mark made in **step 3** around the circumference of the riser.
 - Cut along line with jigsaw, circular saw, or reciprocating saw.
 - Make a mark around the circumference of the riser 3" from the cut end of riser.
 - If no cuts were needed, make the mark 3" from the bottom of the riser.



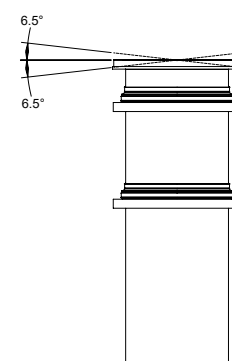
- 5
 - Wipe clean all riser and cover adapter sidewalls.
 - Insert the first riser into the tank neck until the mark made in **step 4** is in-line with the top of the neck gasket. This will ensure your risers reach the finished grade measured in **step 1**.



- 6
 - Install risers and cover adapter into the tank neck starting from the marked riser, moving up to finished grade.
 - Upper clamps may need to be loosened or removed to aid in assembly.



- 7
 - Tighten all clamps to 14 lbs. of torque.
 - Reinstall cover on cover adapter.
 - If tilting of the cover adapter is required to be flush with finished floor, it must be done after all clamps are tightened. A 6.5° tilt is the maximum.



- 8
 - If jobsite riser height conditions change after the previous steps have been completed, there is still room for vertical adjustment.
 - As long as the minimum engagement of 2-1/2" on all joints are maintained, the adapter and riser may be adjusted/cut as many times as necessary.

