



THE AARDVARK™

BASKET-STYLE SOLIDS INTERCEPTOR

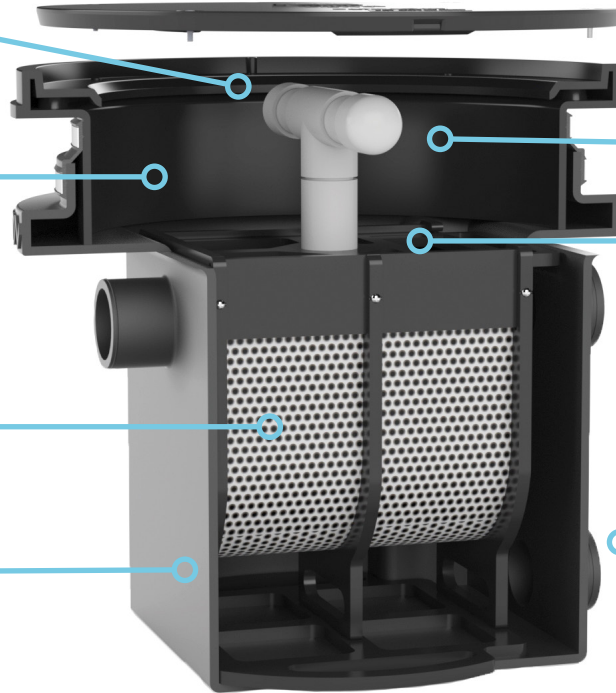
**PRODUCT
UPGRADE**

Field-extendable PVC basket handle.

Field adjustable cover adapter up to 5". Risers available for deeper burials.

U-shaped perforated basket makes solids removal easy.

Robust polyethylene tank for above- or below-grade installation.



Lid and handle are removable to make top of basket entirely open during maintenance.

Molded-in high and low outlet option. Preferred outlet is cut in the field.

(AA-3 shown)



Basket lid and extendable PVC handle are fully removable for basket maintenance.



Basket can only be inserted inside unit in correct orientation.



Listed by IAPMO to IGC 167-2011ae2
Pat No. 10,786,761



**LIFETIME
GUARANTEED**

913-222-1500 HELP@STRIEMCO.COM

STRIEMCO.COM

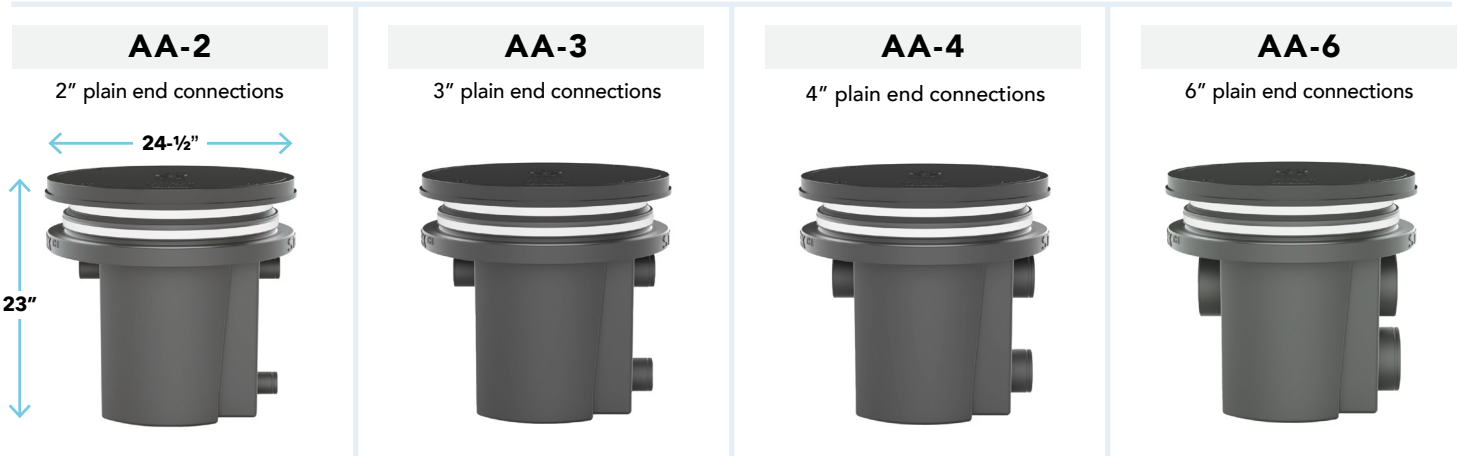
**MADE
IN THE
USA**
* BUILT in *
KANSAS CITY



THE AARDVARK™

BASKET-STYLE SOLIDS INTERCEPTOR

SAME TANK & BASKET WITH FOUR CONNECTION SIZE OPTIONS:



Pedestrian-rated bolted composite cover standard. Traffic-rated covers available.

Initially launched in 2018 as a four tank lineup, The Aardvark has been refined and upgraded to a single-tank solution. This basket-style solids interceptor is designed for DIY maintenance in a wide array of applications. The basket has been upgraded for optimal performance and easier maintenance.

APPLICATIONS



ART ROOM SINKS



DOG WASH & PET KENNELS



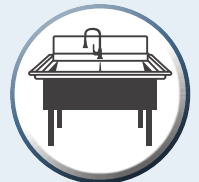
BARBER SHOPS & HAIR SALONS



COMMERCIAL KITCHENS



LAUNDRY FACILITIES



UTILITY SINKS

SPEC FORMATS



RFA



DWG



PDF



CSI

*AVAILABLE ONLINE FOR ALL PRODUCTS



**LIFETIME
GUARANTEED**

913-222-1500 HELP@STRIEMCO.COM

STRIEMCO.COM

**MADE
IN THE
USA**
* BUILT in *
KANSAS CITY