

**SPECIFICATIONS**

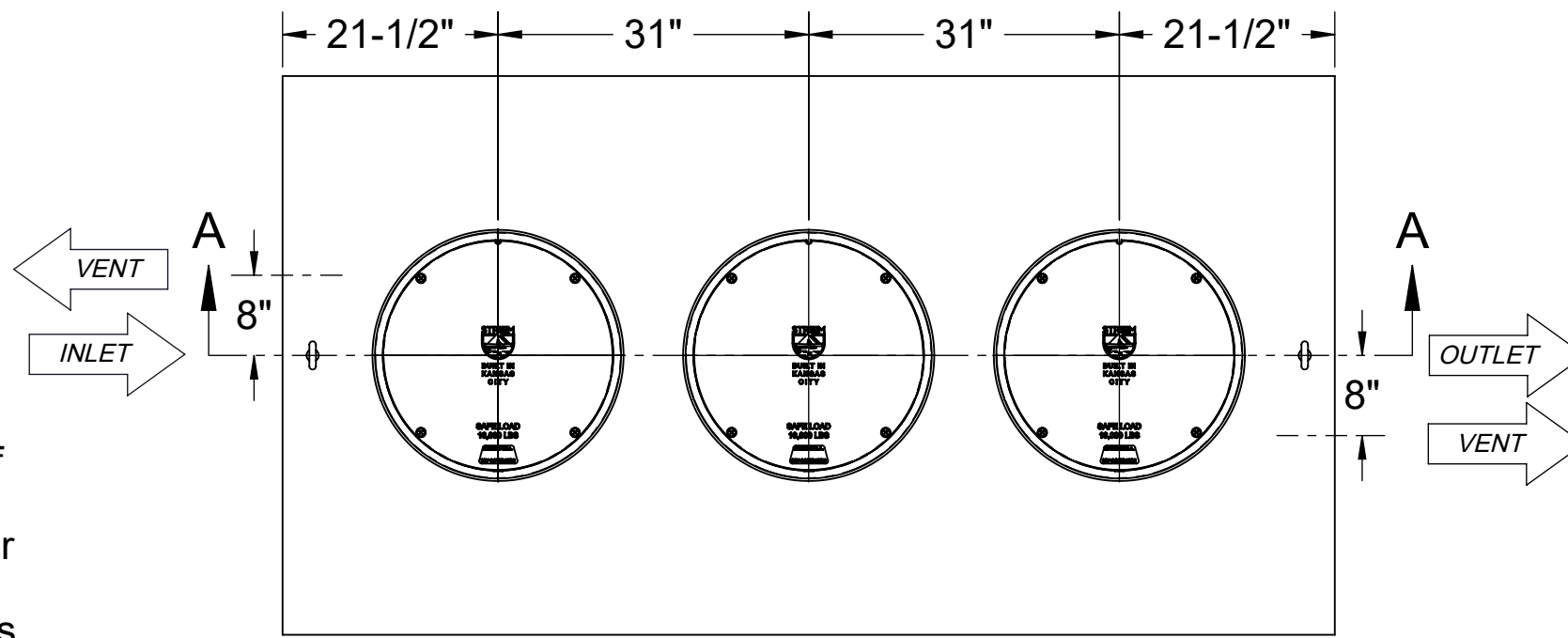
1. 6" Plain End inlet/outlet shown, 3" Plain End vents standard.
2. Liquid capacity: 750 gallons (100 cu. ft.).
3. Unit weight: 1073 lbs.
4. Maximum operating temperature 140 °F continuous.

**NOTES**

1. For gravity drainage applications only.
2. Do not use for pressure applications.
3. Cover placement allows full access to tank for proper maintenance.
4. Lifting lug set for easy install.

**ENGINEER SPECIFICATION GUIDE**

Striem neutralization tank model LB-750 shall be lifetime guaranteed and made in the USA. Tank shall be constructed of polyethylene with 7/8" nominal wall thickness. Tank shall be manufactured for below-grade installation. Field-adjustable riser system is available as an option to bring manhole covers to grade. Tank liquid holding capacity shall be 750 gallons. Covers shall provide water/gas-tight seal and have a maximum 16,000 lbs. load capacity.



**TOP VIEW**

**OPTIONS**

**Connection Options (Plain End Only)**

**Inlet / Outlet**

- 4"
- 6"
- 8"

SELECTION REQUIRED

**Riser Options**

**From Factory: Up to 5"**

- Up to 24": **SR24** (3)
- Up to 39": **LR24** (3)
- Up to 43": **SR24** (6)
- Up to 58": **SR24** (3) + **LR24** (3)
- Up to 72": **LR24** (6)
- Up to 90": **SR24** (3) + **LR24** (6)
- Up to 106": **LR24** (9)

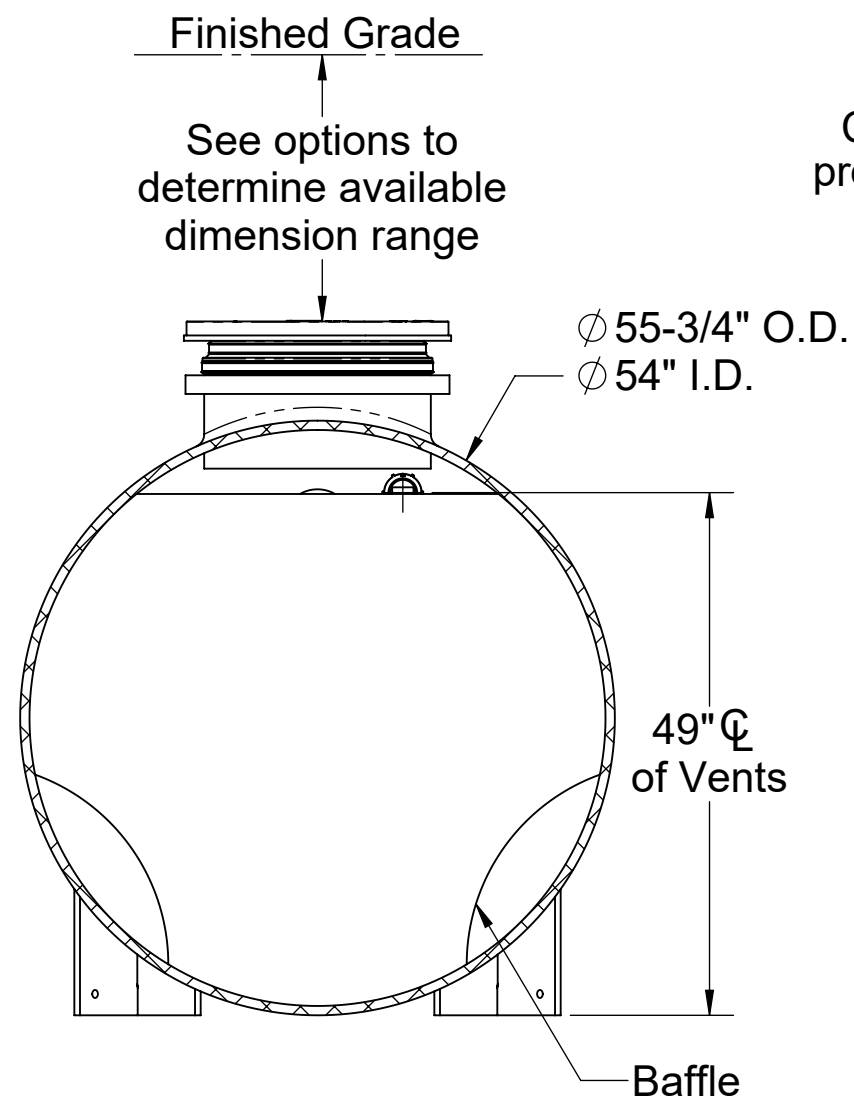
- OR -

- CPRK** (3): 11" - 106" (See specification for more detail.)

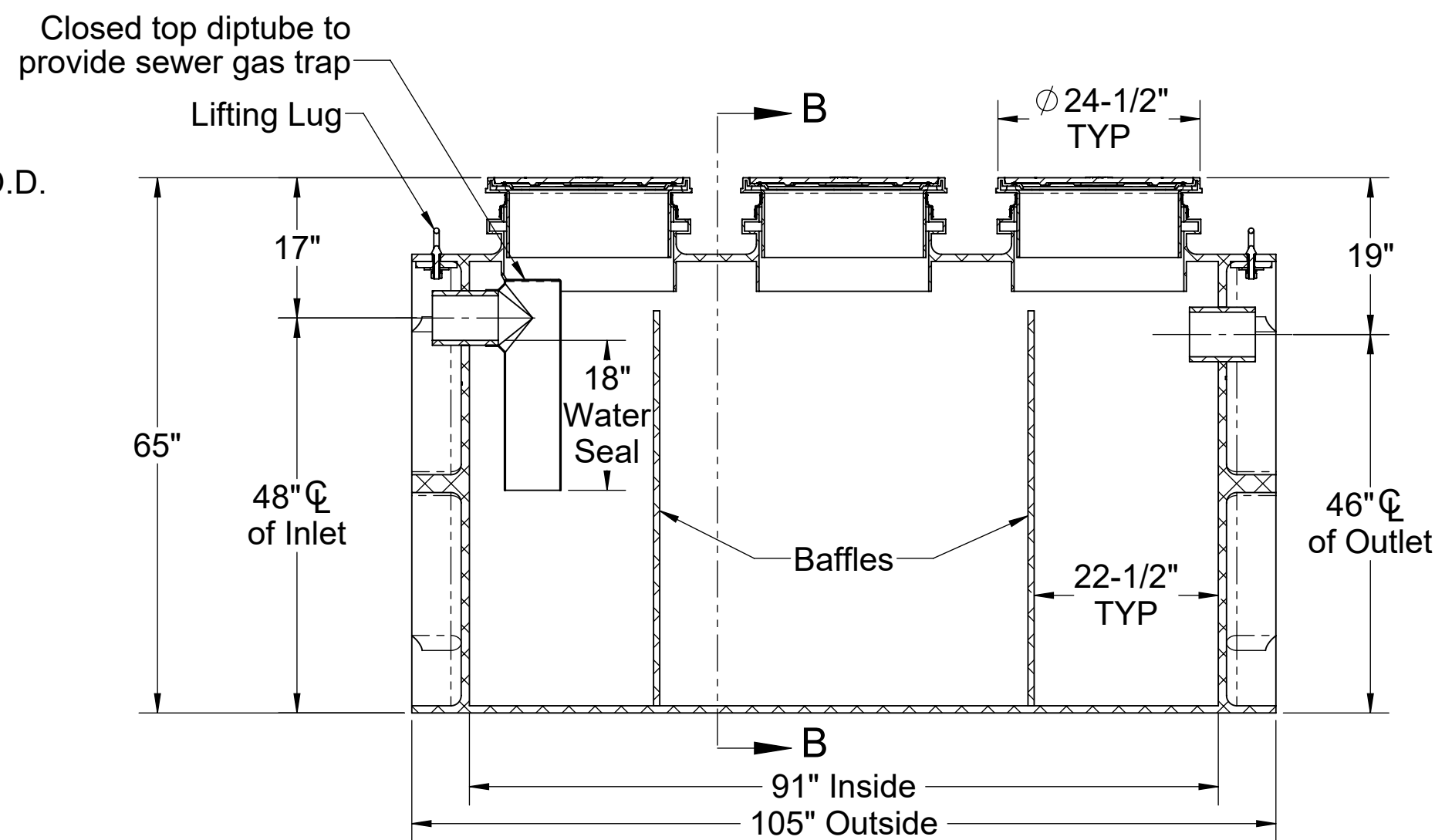
**Additional Options**

- CC-1**: Command Center pH Monitoring Package
- SPK**: Sensor Placement Kit\*
- HDK-4**: High Water Table Hold Down Kit
- Limestone**: 90%+ Calcium Carbonate (9,800 lbs.)

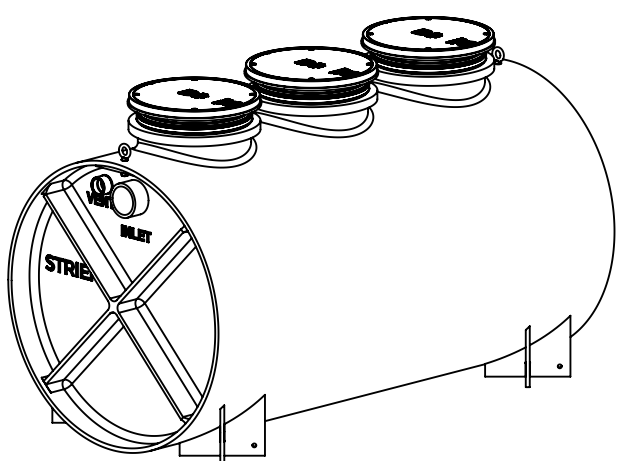
\*Required with CC-1



**SECTION B-B**



**SECTION A-A**



PO IS NON-CANCELABLE  
ORDER IS NON-RETURNABLE

**MODEL NUMBER:** LB-750

**DESCRIPTION:**  
LAB BASIN™  
POLYETHYLENE NEUTRALIZATION TANK  
750 GALLON CAPACITY

**SPECIFICATION SHEET**

Striem  
Kansas City, KS  
Tel: 913-222-1500  
orders@striemco.com  
www.striemco.com

Made in the U.S.A



**DWG BY:** ENG    **DATE:** 5/24/2024    **REV:** 1