

SPECIFICATIONS

1. 1-1/2" or 2" PVC socket inlet and outlet connections (adapters included).
2. Under-sink solids interceptor.
3. PVC housing, polycarbonate perforated basket with o-ring to provide water-tight seal.
4. Top inlet and three outlet options (plugs included for unused outlets).
5. Tamper proof bracket (hardware included). 1/8" Allen key needed for maintenance (by others).
6. Max flow rate: 23 GPM.
7. Solids capacity: 0.17 gallons.
8. Unit weight: 3.2 lbs.
9. Maximum operating temperature: 140°F continuous.
10. For gravity drainage applications only.

ENGINEER SPECIFICATION GUIDE

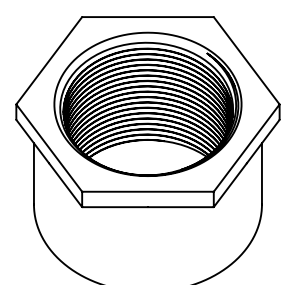
Striem solids interceptor model SIDEKICK-TP shall be lifetime guaranteed and made in the USA. Interceptor shall be constructed of an injection molded PVC housing and polycarbonate perforated basket. Interceptor shall be certified to IAPMO/ANSI/CAN Z1167 and carry a UPC listing. Interceptor is manufactured for above-grade installation. Basket shall provide the ability for side-access maintenance and shall be clear to allow visibility into unit. Solids capacity shall be 0.17 gallons.

APPLICATIONS FOR USE*

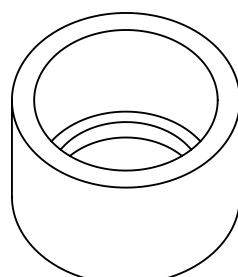
- Pet wash sink (hair)
- Art room sink (clay/plaster)
- Kitchen sink (food waste)
- Utility sink (paint chips/debris)
- Washing machine (lint/debris)
- Barber shop/hair salon sink (hair)
- Dentist sink (dental plaster)

*List is not exhaustive.

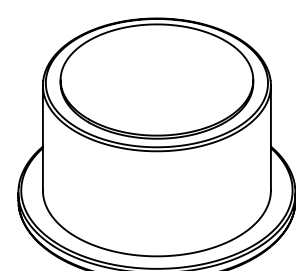
INCLUDED



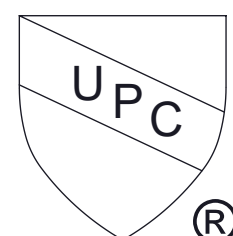
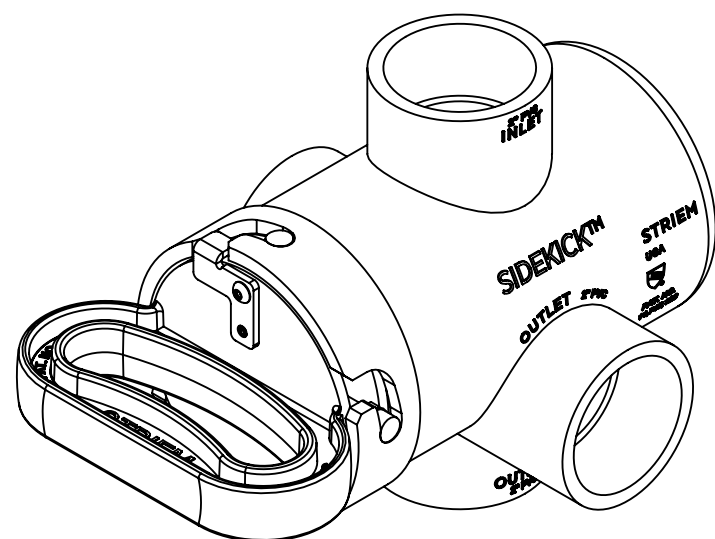
2" x 1-1/2" NPS
PVC Adapter



2" x 1-1/2"
PVC Adapter (2)



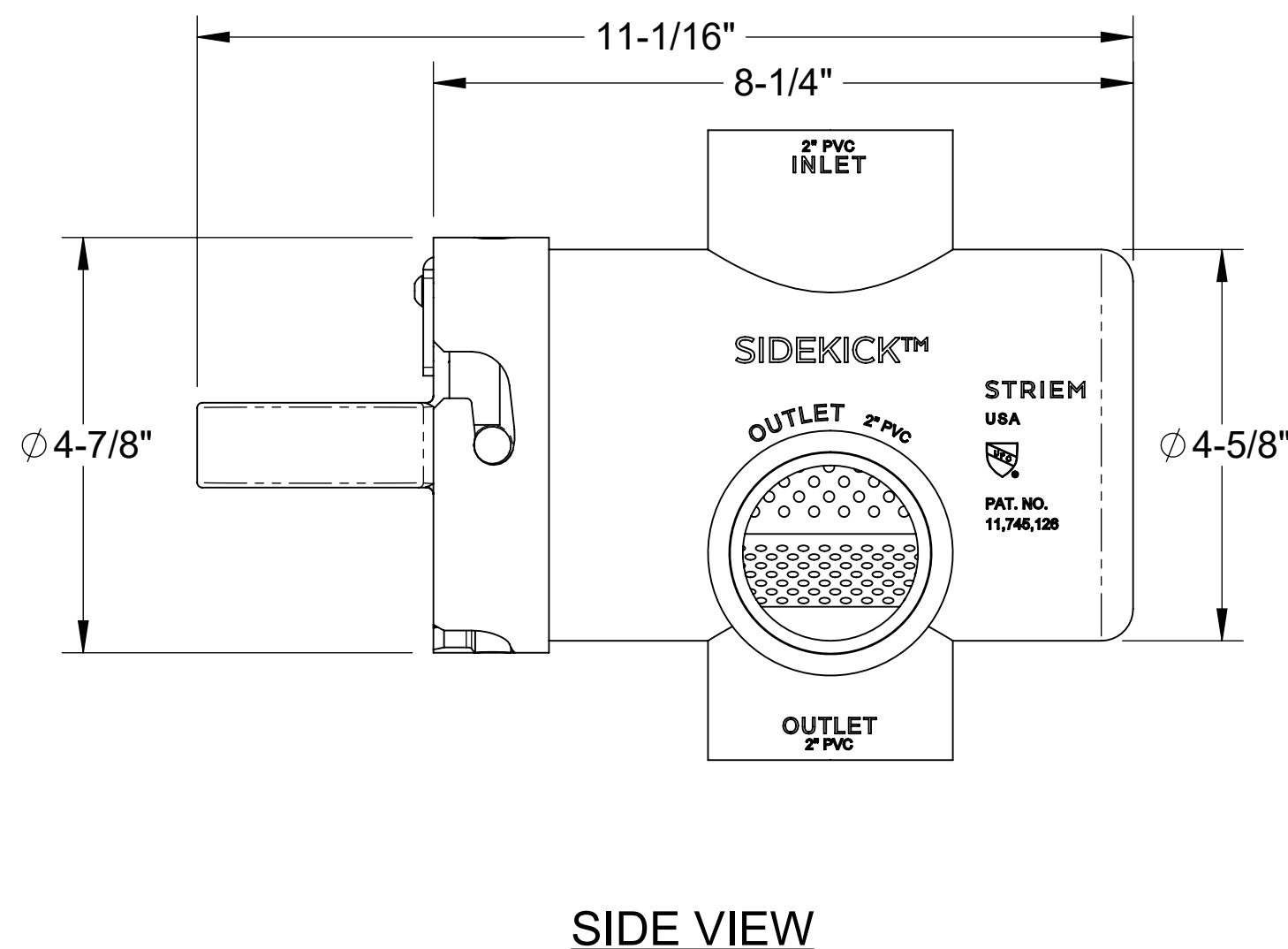
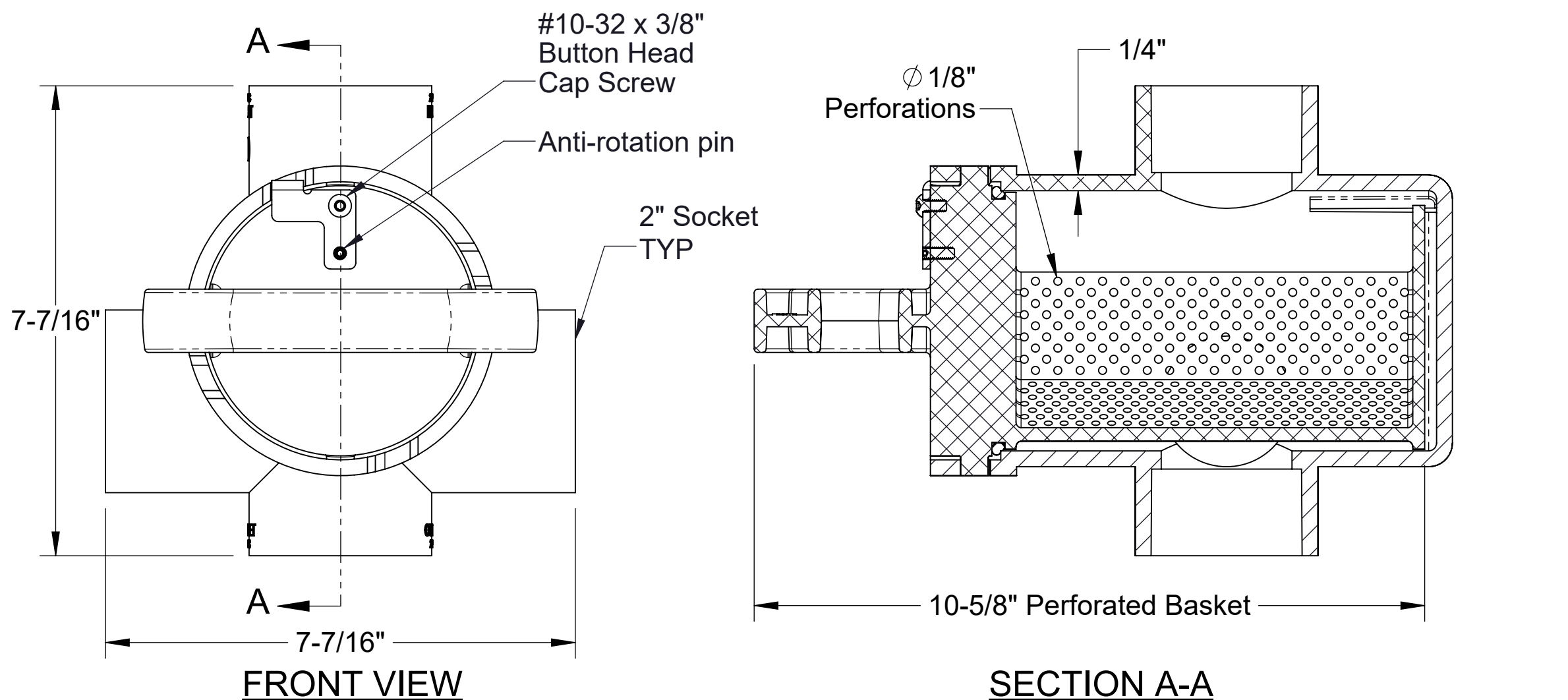
2" Inverted
PVC Plug (2)



US Patent No.
US11745126B2

PROPRIETARY AND CONFIDENTIAL

THE INFORMATION CONTAINED IN THIS DRAWING IS THE SOLE PROPERTY OF STRIEM, LLC. ANY REPRODUCTION IN PART OR AS A WHOLE WITHOUT THE WRITTEN PERMISSION OF STRIEM, LLC. IS PROHIBITED.



MODEL NUMBER: SIDEKICK-TP		SPECIFICATION SHEET	
DESCRIPTION:		Striem Kansas City, KS Tel: 913-222-1500 orders@striemco.com www.striemco.com Made in the U.S.A	
SIDEKICK™ SIDE ACCESS SOLIDS INTERCEPTOR WITH TAMPER PROOF BRACKET			
DWG BY: ENG	DATE: 7/16/2024	REV: 3	