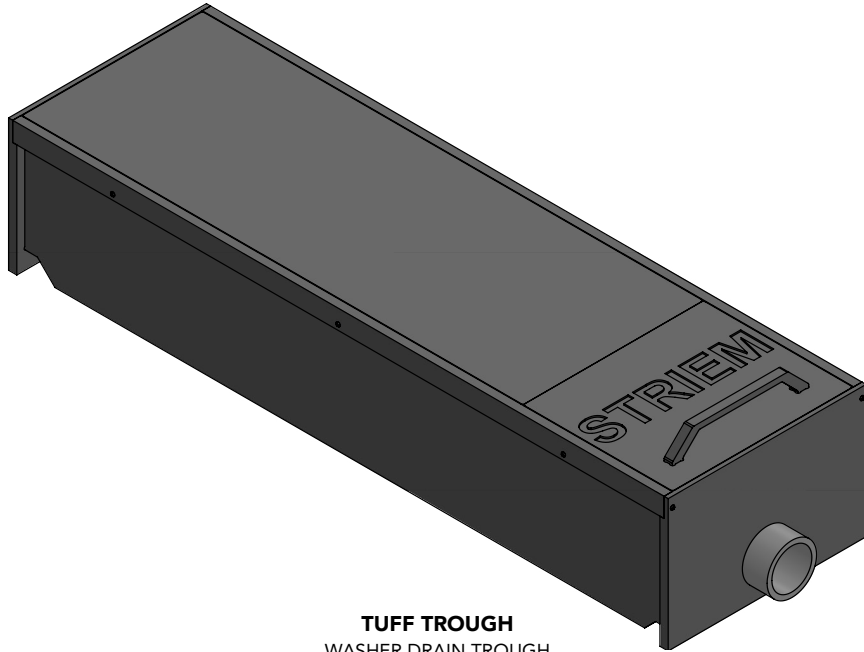




# TUFF TROUGH™

## WASHER DRAIN TROUGH

Installation, Operation, & Maintenance Guide



**TUFF TROUGH**  
WASHER DRAIN TROUGH

### OVERVIEW

Striem Tuff Trough is a polyethylene drain trough intended for above- or below-grade installation. It is designed to act as a reservoir for commercial washing machine discharge, while removing and capturing solids from the waste stream, keeping them from entering the sewage system.

### OPERATION

Commercial washing machines discharge solids laden wastewater into the Tuff Trough through the inlet connections. As solids laden wastewater moves through the unit via the internally sloped floor, the solids are removed and captured by the primary filter screen, and secondary filter basket, preventing them from entering the sewage system.

### LIFETIME WARRANTY

Our products are designed to last the lifetime of the plumbing system in which they are installed. If they don't, we will repair or replace them at no charge. Product damage due to normal wear and tear may be repaired or replaced at a reasonable charge. See website for full details.

### MAINTENANCE

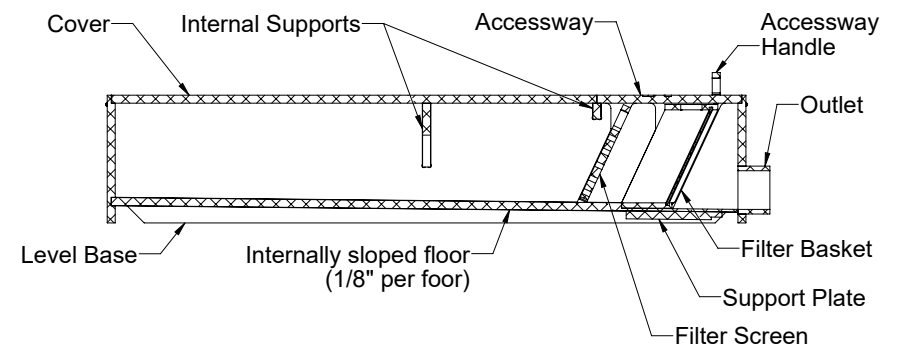
- 1 Always take proper care to ensure a safe and healthy environment while maintaining the Tuff Trough.
- 2 Lift cover to access filter screen and basket.
- 3 Remove filter screen and sweep the remaining solids into the filter basket.
- 4 Clear filter screen of debris and reinstall in Tuff Trough.
- 5 Remove filter basket with remaining solids.
- 6 Evacuate filter basket, and reinstall in Tuff Trough.

### TROUBLESHOOTING TIPS



Slower than usual drainage may indicate a blockage and a need to maintain the Tuff Trough. Ensure the filter screen, basket, and drain lines are cleared of all debris.

Effluent flow fouled with solids may indicate that the Tuff Trough has exceeded the maximum solids capacity. In the presence of solids in the effluent flow, maintain the unit immediately.



913-222-1500

HELP@STRIEMCO.COM

STRIEMCO.COM

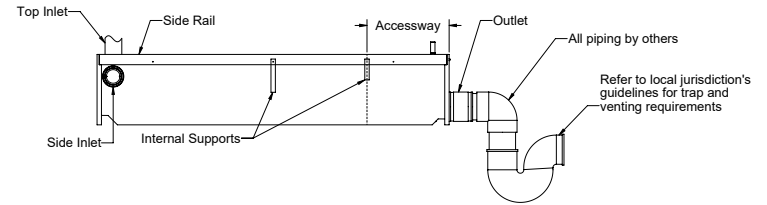
CUSTOMER SERVICE HOURS: 8 AM - 5 PM CST



## ABOVE GRADE INSTALLATION INSTRUCTIONS

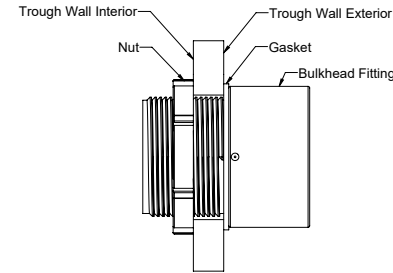
### UNIT INSTALLATION

- 1 Install unit on level floor with access to washer discharge.
- 2 Inlets may be installed on the side wall, or through the cover of the Tuff Trough.
- 3 Side inlet connections must provide a watertight seal to the Tuff Trough.
- 4 Striem offers Inlet Bulkhead Kits (IBK) for easy watertight inlet installation.
- 5 Inlet connections must not interfere with side rail, internal supports, or accessway.
- 6 Connect waste piping to outlet.
- 7 Refer to local jurisdiction's guidelines for trap and venting requirements.



### IBK INSTALLATION

- 1 Locate fitting locations.
- 2 Use a 75mm hole saw to drill inlet hole in Tuff Trough.
- 3 Remove burrs from hole edge.
- 4 Place bulkhead fitting with affixed gasket in inlet hole, with the gasket abutting the wall. Tighten nut on backside of wall to 15 ft lbs of torque.



## BELOW GRADE INSTALLATION INSTRUCTIONS

### EXCAVATION

- 1 Install Tuff Trough no deeper than the cover being level with finished grade.
- 2 Surrounding soil must be undisturbed soil or well compacted engineering fill.
- 3 Striem recommends excavation to be minimum 6" greater than the Tuff Trough on all sides, when available.

### UNIT INSTALLATION

- 1 Unit must be installed on level floor in excavated hole.
- 2 Lower and center the unit into the excavated hole. Do not use chains to move the unit.
- 3 Ensure unit cover is level with finished grade.
- 4 Connect outlet piping to the unit.
- 5 Refer to local jurisdiction's guidelines for trap and venting requirements.
- 6 After backfilling and finishing concrete slab, install inlet connections through unit cover.

### BACKFILLING & FINISHED CONCRETE SLAB

- 1 Before backfilling and pouring of slab, ensure cover is installed on the unit to protect interior from debris.
- 2 Striem recommends placing a shim between cover and side-rail to prevent pinching during concrete slab installation.
- 3 Cardboard or other disposable material can be taped to the cover to provide a cleaner finish.
- 4 Trough must be secured during concrete pour to prevent float out. Striem recommends using rebar tie wire to provide adequate hold down force on the trough.
- 5 Backfill using crushed aggregate #7 backfill material approximately 3/4" size rock or sand with no fines.
- 6 Thickness of concrete around cover to be determined by specifying engineer.
- 7 After concrete has solidified, cut tie wire flush with grade.

